

Quick Start

Thank you for purchasing the MSI® **X299 PRO/ X299 PRO 10G** motherboard. This Quick Start section provides demonstration diagrams about how to install your computer. Some of the installations also provide video demonstrations. Please link to the URL to watch it with the web browser on your phone or tablet. You may have even link to the URL by scanning the QR code.

クイックスタート

この度は MSI® **X299 PRO/ X299 PRO 10G** マザーボードをお買い上げいただき、誠にありがとうございます。このクイックスタートにはPCの組み立て方法のデモンストレーション図を掲載しています。いくつかの組み立て手順に付きましては、実演ビデオを提供しています。スマートフォンやタブレット端末のウェブブラウザで本書に記載されたURLにアクセスしてご覧ください。QRコードをスキャンすることでもURLのリンク先をご参照頂けます。

퀵 스타트

MSI® **X299 PRO/ X299 PRO 10G** 메인보드를 선택해주셔서 감사합니다. 이 부분에서는 컴퓨터를 설치하는 방법에 대한 데모 다이어그램과 일부 데모 동영상을 제공하고 있습니다. 휴대전화 또는 태블릿의 웹 브라우저를 통하여 URL에 링크한 후 설치 동영상을 감상하시기 바랍니다. 또는 QR 코드를 스캔하여 URL에 링크할 수도 있습니다.

快速指引

感謝您購買 MSI® **X299 PRO/ X299 PRO 10G** 主機板。本快速指引章節提供您安裝電腦的示範圖解，亦提供部分組件的安裝示範影片；請您以智慧型手機或平板的瀏覽器連上 URL 網址進行觀看。您也可以掃描 QR code 的方式快速連接至網址。

快速入门

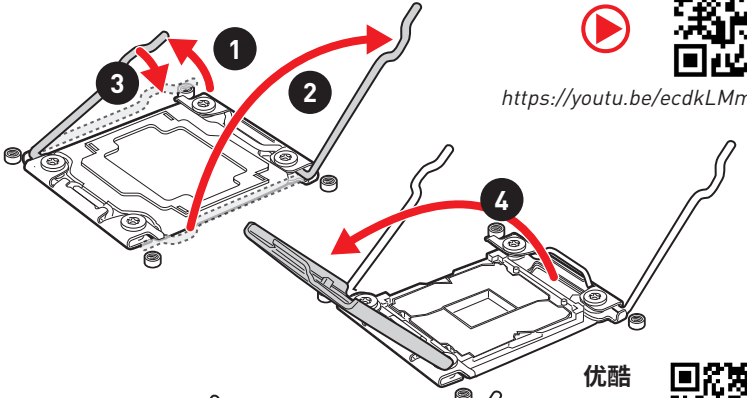
感谢您购买 MSI® **X299 PRO/ X299 PRO 10G** 主板。本快速入门部分提供了有关如何安装计算机演示图。某些设施还提供了视频演示。请使用您的手机或平板电脑上的网页浏览器链接至网址观看。您也可以通过扫描QR码链接到URL。

Installing a Processor/ CPUの取り付け/
프로세서 설치하기/ 安裝處理器/ 安裝处理器

Youtube



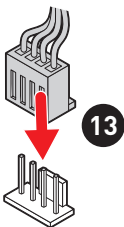
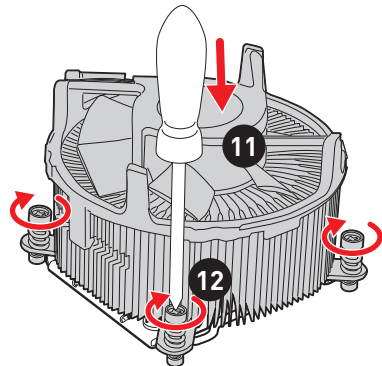
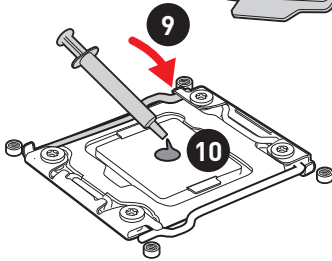
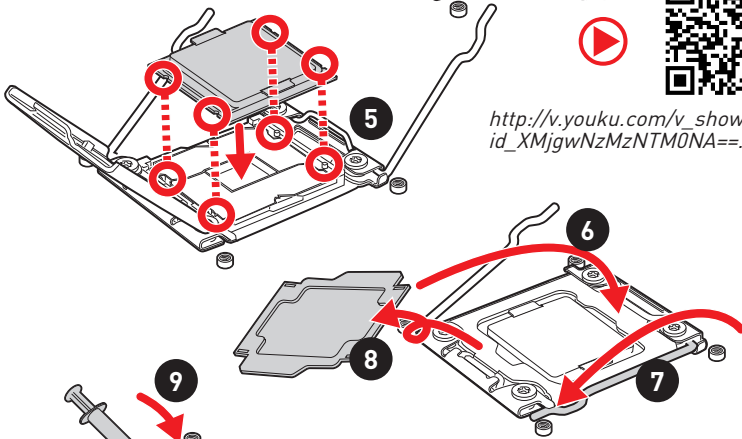
<https://youtu.be/ecdkLMmky4>



优酷



http://v.youku.com/v_show/id_XMjgwNzZmNTM0NA==.html



Installing DDR4 memory/ DDR4メモリの取り付け/ DDR4 메모리 설치하기/ 安裝 DDR4 記憶體/ 安裝 DDR4 內存

Youtube

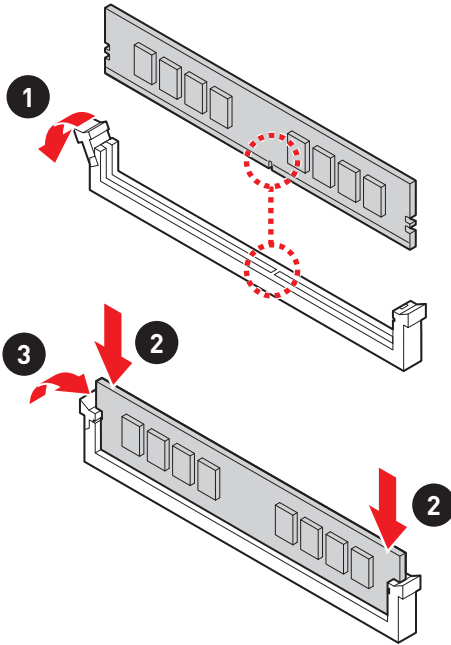


<http://youtu.be/T03aDrJPYqs>

优酷



http://v.youku.com/v_show/id_XNzUyMTI5ODI4.html



	B1	B2	A1	A2	CPU	C2	C1	D2	D1
1 DIMM					Intel® Core™ X-series 10000/ 9000/ 78xx (above) processors		✓		
2 DIMMs			✓				✓		
4 DIMMs	✓		✓				✓		✓
8 DIMMs	✓	✓	✓	✓			✓	✓	✓

Connecting the Front Panel Header/ フロントパネルヘッダーの接続/ 전면 패널 커넥터 연결하기/ 連接前置面板針腳/ 连接前置面板接头

Youtube

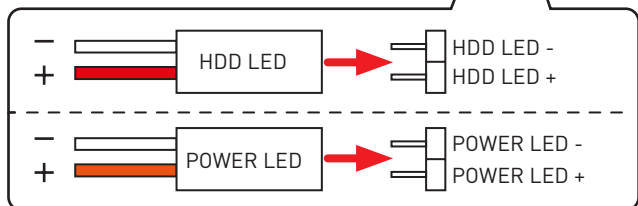
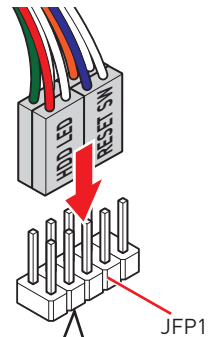
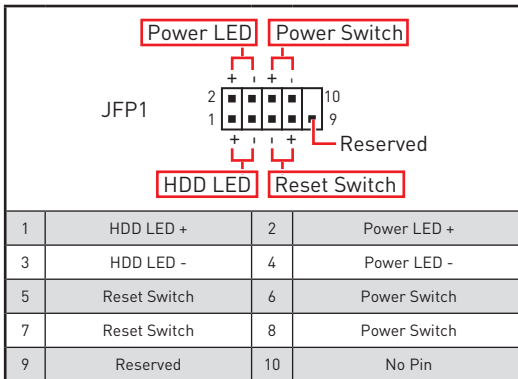
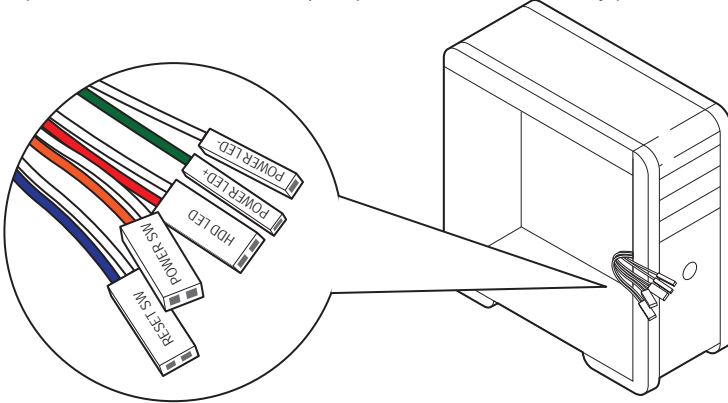


优酷

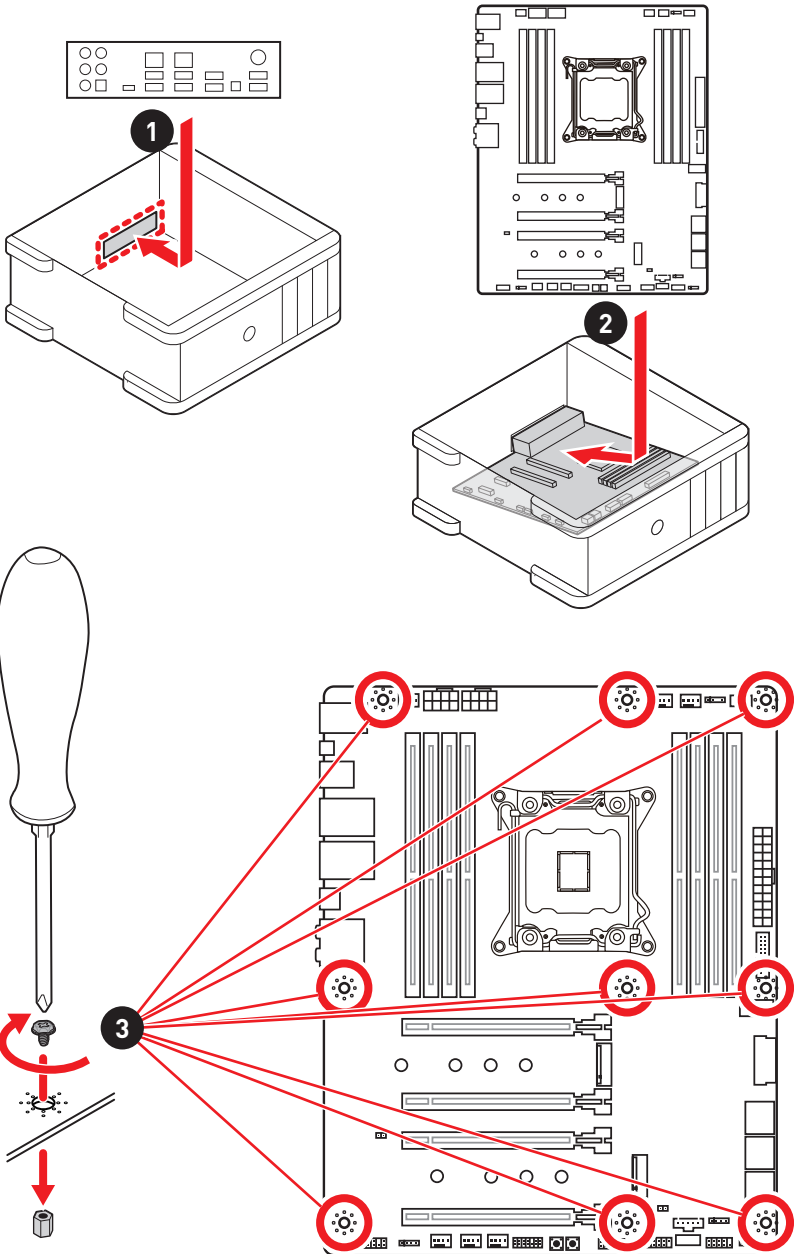


<http://youtu.be/DPELIdvNZUI>

http://v.youku.com/v_show/id_XNjcyMTczMzM2.html



Installing the Motherboard/ マザーボードの取り付け/
메인보드 설치하기/ 安裝主機板/ 安裝主板



Connecting the Power Connectors/ 電源コネクターの接続/ 전원 커넥터 연결하기/ 插上電源接頭/ 连接电源接头

Youtube

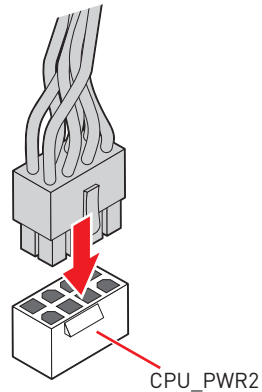
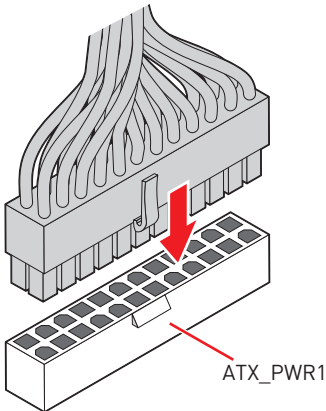
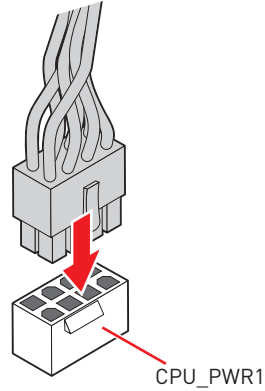
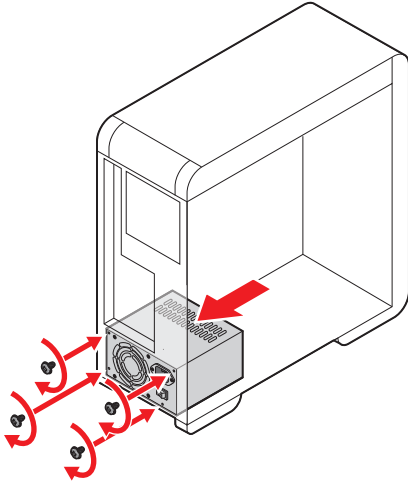


优酷



http://youtu.be/gkDYyR_83I4

http://v.youku.com/v_show/id_XNDkzODU0MDQw.html



Installing SATA Drives/ SATAドライブの取り付け/ SATA 드라이브 설치하기/ 安装 SATA 磁碟機/ 安装 SATA 设备

Youtube

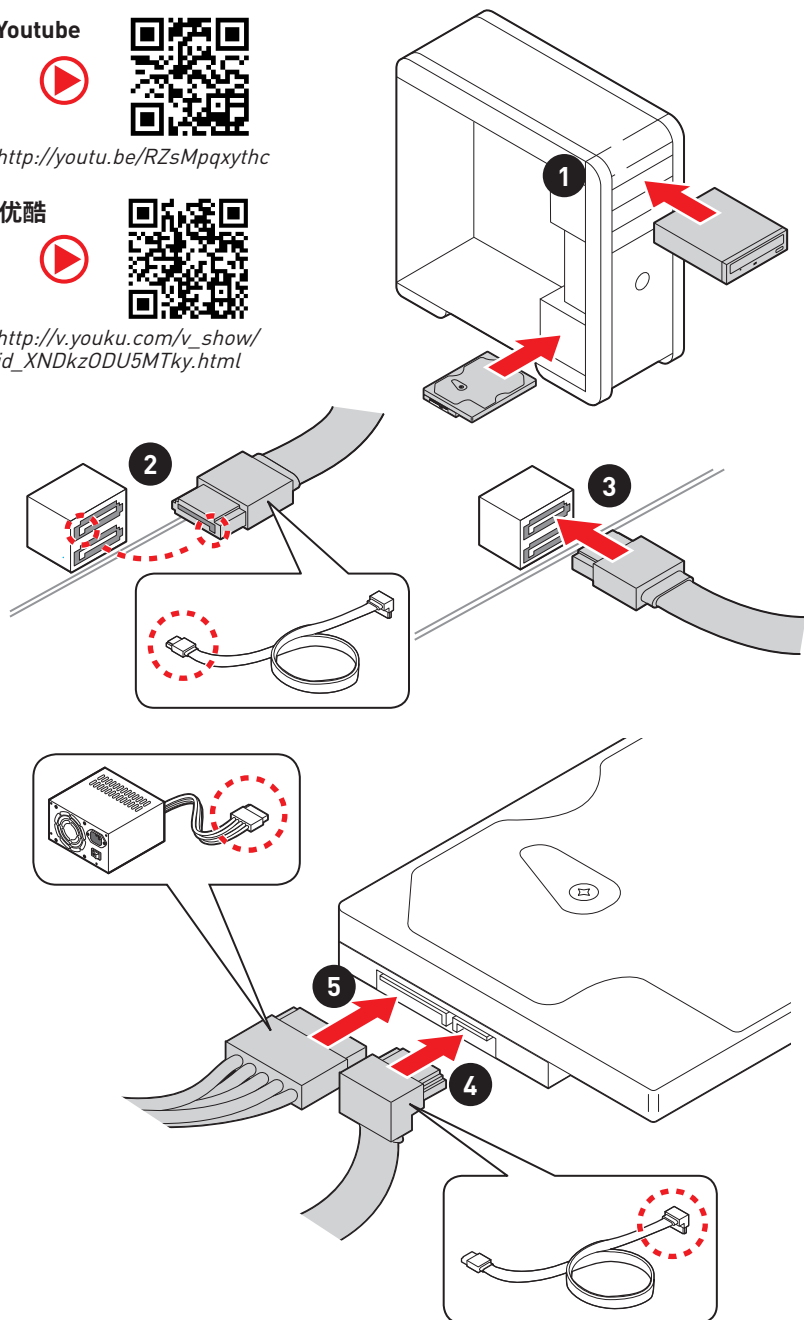


<http://youtu.be/RZsMpqxythc>

优酷



http://v.youku.com/v_show/id_XNDkzODU5MTky.html



Installing a Graphics Card/ グラフィックスカードの取り付け/ 그래픽 카드 설치하기 / 安裝顯示卡/ 安裝显卡

Youtube

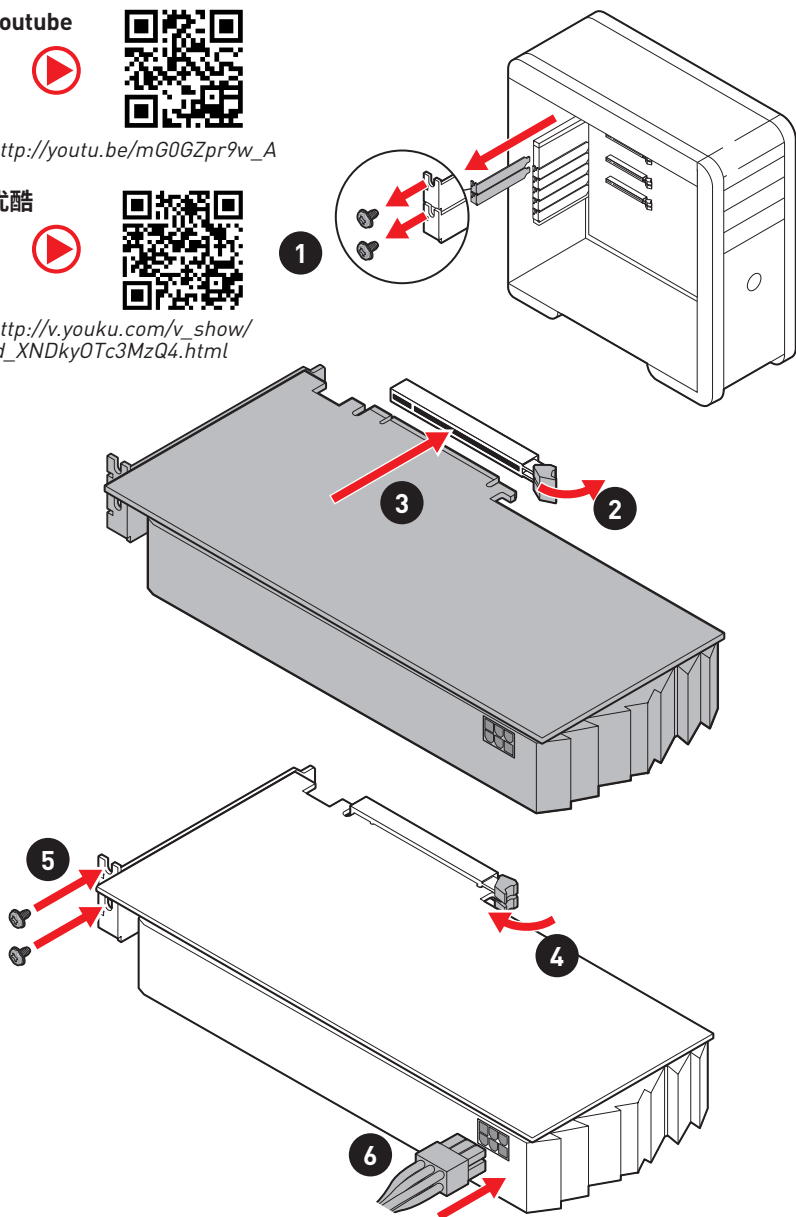


http://youtu.be/mG0GZpr9w_A

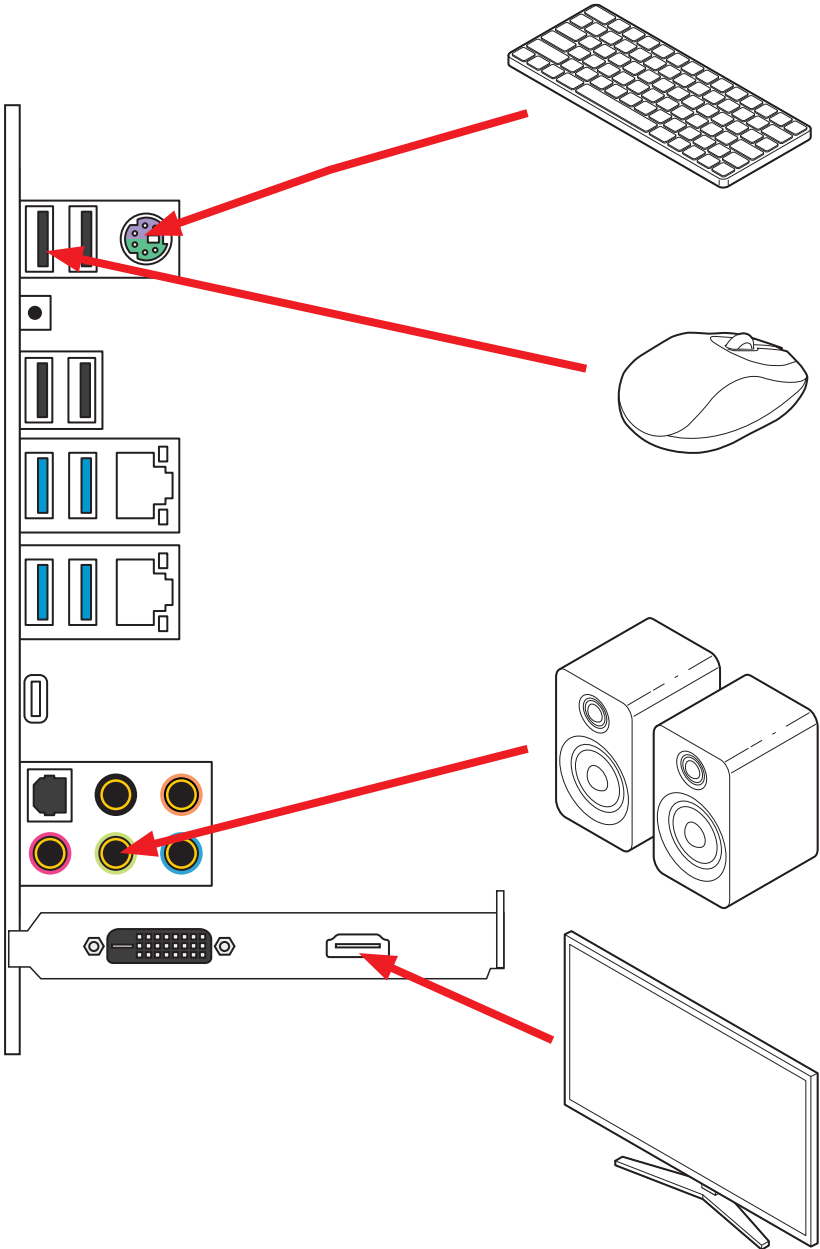
优酷



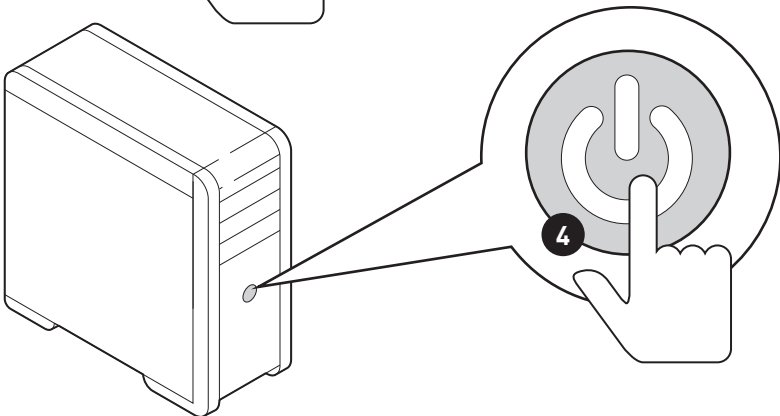
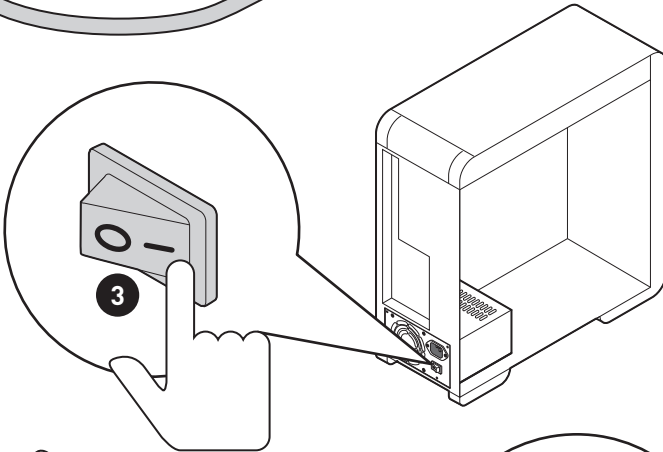
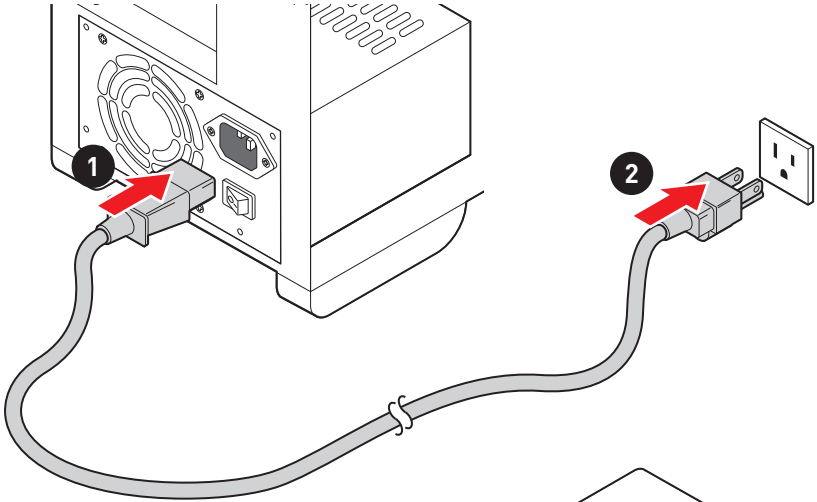
http://v.youku.com/v_show/id_XNDkyOTc3MzQ4.html



Connecting Peripheral Devices/ 周辺機器の接続/
주변 장치 연결하기/ 連接周邊設備/ 连接外围设备



Power On/ 通電/ 전원 켜기/ 啟動電源/ 开机



Contents

Safety Information	3
Specifications	4
JCORSAIR1 Connector Specification.....	9
Package contents	9
Rear I/O Panel	10
LAN Port LED Status Table	10
Audio Ports Configuration	10
Realtek Audio Console	11
Overview of Components	13
CPU Socket	14
DIMM Slots.....	15
PCI_E1~4: PCIe Expansion Slots.....	17
CPU_PWR1~2, ATX_PWR1: Power Connectors	19
M2_1~2: M.2 Slots (Key M)	19
Installing M.2 XPANDER-Z GEN 4 (optional).....	21
SATA1~6: SATA 6Gb/s Connectors.....	23
VRAID1: Virtual RAID on CPU Connector	23
JFP1, JFP2: Front Panel Connectors.....	24
JAUD1: Front Audio Connector	24
CPU_FAN1, PUMP_FAN1, SYS_FAN1~4: Fan Connectors.....	25
JUSB1, JUSB3: USB 3.2 Gen1 Connectors	26
JUSB4~5: USB 2.0 Connectors.....	26
JUSB2: USB 3.2 Gen2 Type-C Connector.....	27
JTBT1: Thunderbolt Add-on Card Connector	27
POWER1, RESET1: Power Button, Reset Button	28
JBAT1: Clear CMOS (Reset BIOS) Jumper.....	28
JCI1: Chassis Intrusion Connector.....	29
JRGB1: RGB LED connector.....	30
JRAINBOW1~2: Addressable RGB LED connectors	31
JCORSAIR1: CORSAIR Connector	32
Onboard LEDs	33
EZ Debug LED.....	33
XMP LED	33
Installing OS, Drivers & Utilities	34
Installing Windows® 10.....	34
Installing Drivers	34
Installing Utilities	34

BIOS Setup	35
Entering BIOS Setup.....	35
Resetting BIOS.....	36
Updating BIOS.....	36
EZ Mode	37
Advanced Mode	39
OC Menu.....	40

Safety Information

- The components included in this package are prone to damage from electrostatic discharge (ESD). Please adhere to the following instructions to ensure successful computer assembly.
- Ensure that all components are securely connected. Loose connections may cause the computer to not recognize a component or fail to start.
- Hold the motherboard by the edges to avoid touching sensitive components.
- It is recommended to wear an electrostatic discharge (ESD) wrist strap when handling the motherboard to prevent electrostatic damage. If an ESD wrist strap is not available, discharge yourself of static electricity by touching another metal object before handling the motherboard.
- Store the motherboard in an electrostatic shielding container or on an anti-static pad whenever the motherboard is not installed.
- Before turning on the computer, ensure that there are no loose screws or metal components on the motherboard or anywhere within the computer case.
- Do not boot the computer before installation is completed. This could cause permanent damage to the components as well as injury to the user.
- If you need help during any installation step, please consult a certified computer technician.
- Always turn off the power supply and unplug the power cord from the power outlet before installing or removing any computer component.
- Keep this user guide for future reference.
- Keep this motherboard away from humidity.
- Make sure that your electrical outlet provides the same voltage as is indicated on the PSU, before connecting the PSU to the electrical outlet.
- Place the power cord such a way that people can not step on it. Do not place anything over the power cord.
- All cautions and warnings on the motherboard should be noted.
- If any of the following situations arises, get the motherboard checked by service personnel:
 - Liquid has penetrated into the computer.
 - The motherboard has been exposed to moisture.
 - The motherboard does not work well or you can not get it work according to user guide.
 - The motherboard has been dropped and damaged.
 - The motherboard has obvious sign of breakage.
- Do not leave this motherboard in an environment above 60°C (140°F), it may damage the motherboard.

Specifications

CPU	Supports Intel® Core™ X-series 10000/ 9000/ 78xx (above) processors for socket LGA2066
Chipset	Intel® X299 Chipset
Memory	<ul style="list-style-type: none"> • 8x DDR4 memory slots, support up to 256GB <ul style="list-style-type: none"> ▪ Supports DDR4 4200+(OC)/ 4000(OC)/ 3800 (OC)/ 3733(OC)/ 3600(OC)/ 3466(OC)/ 3400(OC)/ 3333(OC)/ 3300(OC)/ 3200(OC)/ 3000(OC)/ 2933/ 2666/ 2400/ 2133 MHz* • Quad channel memory architecture • Supports Intel® Extreme Memory Profile (XMP) • Supports non-ECC UDIMM memory • Supports un-buffered memory <p>* For the latest information about memory, please visit http://www.msi.com ** Please refer the DIMM Slots section for more details.</p>
Expansion Slot	<ul style="list-style-type: none"> • 4x PCIe 3.0 x16 slots <ul style="list-style-type: none"> ▪ Support x16/x8/x16/x8 mode with the 48-lane CPU.* ▪ Support x16/x4/x16/x8 mode with the 44-lane CPU.* ▪ Support x16/x4/x8/x0 mode with the 28-lane CPU.* <p>* Please refer to page 17 for PCIe 3.0 bandwidth table.</p>
Multi-GPU	<ul style="list-style-type: none"> • Supports NVIDIA® SLI™ Technology • Supports AMD® CrossFire™ Technology
LAN	<ul style="list-style-type: none"> • 1x Intel I219-V Gigabit LAN controller* • 1x Realtek RTL8125-CG 2.5G LAN controller • 1x Aquantia® AQC107 10-Gigabit LAN card (X299 PRO 10G) <p>* I219 LAN doesn't support G3 to S5 Wake</p>
Storage	<p>Intel® X299 Chipset</p> <ul style="list-style-type: none"> • 6x SATA 6Gb/s ports* • 2x M.2 slots (Key M) <ul style="list-style-type: none"> ▪ Support up to PCIe 3.0 x4 and SATA 6Gb/s, 2242/ 2260/ 2280/ 22110 storage devices** ▪ Intel® Optane™ Memory Ready*** <p>* The SATA1 connector will be unavailable when a SATA M.2 SSD has been installed in the M2_1 slot. ** The M2_2 default setting is CPU lane. However, when a PCIe expansion card is installed in the PCI_E2 slot, the M2_2 will be automatically switched to PCH lane. *** The SATA2 connector will be unavailable when M2_2 uses PCH lanes and a M.2 SATA SSD is installed in the M2_2 slot. **** M2_2 supports Intel® Optane™ Memory by switching to PCH lanes.</p>

Continued on next page

Continued from previous page

RAID	<p>Intel® X299 Chipset</p> <ul style="list-style-type: none">• Supports RAID 0, RAID1, RAID 5 and RAID 10 for SATA storage devices• Supports RAID 0 and RAID 1 for M.2 PCIe storage devices
USB	<ul style="list-style-type: none">• ASMedia® ASM3242 Chipset<ul style="list-style-type: none">▪ 1x USB 3.2 Gen2x2 (SuperSpeed USB 20Gbps) Type-C port on the back panel• ASMedia® ASM3142 Chipset<ul style="list-style-type: none">▪ 1x USB 3.2 Gen2 (SuperSpeed USB 10Gbps) Type-C internal connector• Intel® X299 Chipset<ul style="list-style-type: none">▪ 8x USB 3.2 Gen1 (SuperSpeed USB) ports (4 ports on the back panel, 4 ports available through the internal USB connectors)▪ 8x USB 2.0 (High-speed USB) ports (4 ports on the back panel, 4 ports available through the internal USB connectors)
Audio	<p>1x Realtek® ALC1220 Codec</p> <ul style="list-style-type: none">• 7.1-Channel High Definition Audio• Supports S/PDIF output
Back Panel Connectors	<ul style="list-style-type: none">• 1x PS/2 keyboard/ mouse combo port• 1x Clear CMOS button• 4x USB 2.0 Type-A ports• 4x USB 3.2 Gen1 Type-A ports• 1x 2.5G LAN (RJ45) port• 1x 1G LAN (RJ45) port• 1x USB 3.2 Gen2x2 Type-C port• 5x OFC audio jacks• 1x Optical S/PDIF OUT connector

Continued on next page

Continued from previous page

Internal Connectors	<ul style="list-style-type: none">• 1x 24-pin ATX main power connector• 2x 8-pin ATX 12V power connectors• 6x SATA 6Gb/s connectors• 2x USB 2.0 connectors (supports additional 4 USB 2.0 ports)• 2x USB 3.2 Gen1 connectors (supports additional 4 USB 3.2 Gen1 ports)• 1x USB 3.2 Gen2 Type-C port• 1x 4-pin CPU fan connector• 1x 4-pin Water Pump connector• 4x 4-pin system fan connectors• 1x Front panel audio connector• 2x System panel connectors• 1x TPM module connector• 1x Chassis Intrusion connector• 1x Virtual RAID on CPU connector• 1x Thunderbolt Add-on Card Connector
LED Connectors	<ul style="list-style-type: none">• 1x 4-pin RGB LED connector• 2x 3-pin ARGB LED connectors• 1x 3-pin CORSAIR LED connector
Internal Buttons	<ul style="list-style-type: none">• 1x Power button• 1x Reset button
Jumper	<ul style="list-style-type: none">• 1x Clear CMOS jumper
Debug LED	<ul style="list-style-type: none">• 4x EZ Debug LED
I/O Controller	NUVOTON NCT6797 Controller Chip
Hardware Monitor	<ul style="list-style-type: none">• CPU/System temperature detection• CPU/System fan speed detection• CPU/System fan speed control
Form Factor	<ul style="list-style-type: none">• ATX Form Factor• 12 in. x 9.6 in. (30.5 cm x 24.4 cm)

Continued on next page

Continued from previous page

BIOS Features	<ul style="list-style-type: none">• 1x 128 Mb flash• UEFI AMI BIOS• ACPI 6.1, SMBIOS 3.0• Multi-language
Software	<ul style="list-style-type: none">• Drivers• DRAGON CENTER• CPU-Z MSI GAMING• Google Chrome™, Google Toolbar, Google Drive• Norton™ Internet Security Solution
Dragon Center Features	<ul style="list-style-type: none">• Mystic Light• Hardware Monitor• True Color• Live Update• Speed Up• Smart Tool• Super Charger  <p>Please refer to http://download.msi.com/manual/mb/DRAGONCENTER2.pdf for more details.</p>
Special Features	<ul style="list-style-type: none">• Audio<ul style="list-style-type: none">▪ Audio Boost 4• Network<ul style="list-style-type: none">▪ Dual LAN▪ 2.5G LAN▪ LAN Manager▪ 10G SUPER LAN (optional add-on card)• Storage<ul style="list-style-type: none">▪ Twin Turbo M.2▪ M.2 XPANDER-Z GEN4 (optional add-on card)• Fan<ul style="list-style-type: none">▪ Pump Fan▪ Smart Fan Control

Continued on next page

Continued from previous page

Special Features

- Cooling
 - Extended Heatsink Design
 - Pump Fan
- LED
 - Mystic Light Extension (RGB)
 - Mystic Light Extension (RAINBOW)
 - Mystic Light Extension (CORSAIR)
 - Mystic Light Sync
 - EZ DEBUG LED
- Protection
 - M.2 Shield Frozr
 - PCI-E Steel Armor
 - PCI-E Steel Slot
- Performance
 - Multi GPU – SLI Technology
 - Multi GPU – CrossFire Technology
 - DDR4 Boost
 - Core Boost
 - USB with type A+C
 - Lightning USB
 - Lightning USB 20G
 - Dual CPU Power
- Gamer / User Experience
 - DRAGON CENTER
 - SPEED UP
 - Total Fan Control
 - Live Update
- BIOS
 - Click BIOS 5

JCORSAIR1 Connector Specification

Supporting CORSAIR RGB Products	Maximum connection
Lighting Node PRO LED Strip	20* * In the case of 20% brightness
HD120 RGB Fan	6
SP120 RGB Fan	6
LL120 RGB Fan	6

Package contents

Please check the contents of your motherboard package. It should contain:

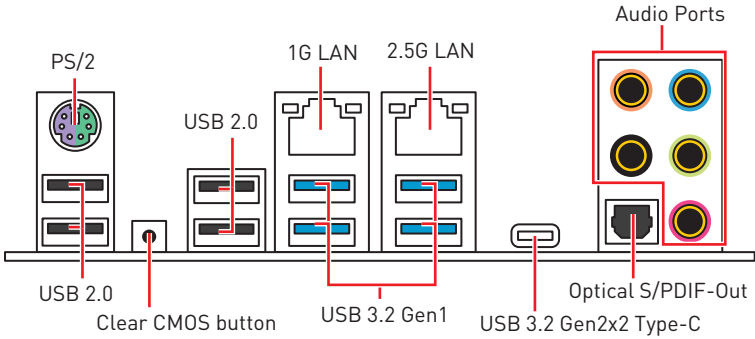
Motherboard		X299 PRO	X299 PRO 10G
Documentation	User manual	1	1
	Case stand-off notification	1	1
	Quick installation guide	1	1
Application	Driver DVD	1	1
Cables	SATA 6G cables	2	2
	LED JRGB Y cable	1	1
	LED JCORSAIR cable	1	1
	LED JRAINBOW cable	1	1
Expansion cards	M.2 XPANDER-Z GEN4	—	1
	10G LAN card	—	1
Accessories	Case badge	1	1
	SATA cable stickers	1	1
	Product registration card	1	1
	IO shielding	1	1
	M.2 screws	2	2



Important

If any of the above items are damaged or missing, please contact your retailer.

Rear I/O Panel



- **Clear CMOS button** - Power off your computer. Press and hold the Clear CMOS button for about 5-10 seconds to reset BIOS to default values.

LAN Port LED Status Table

Link/ Activity LED		Speed LED												
Status	Description													
Off	No link	<table border="1"> <thead> <tr> <th>Status</th> <th>1G LAN</th> <th>2.5G LAN</th> </tr> </thead> <tbody> <tr> <td>Off</td> <td>10 Mbps</td> <td>10 Mbps</td> </tr> <tr> <td>Green</td> <td>100 Mbps</td> <td>100 M/ 1G bps</td> </tr> <tr> <td>Orange</td> <td>1 Gbps</td> <td>2.5 Gbps</td> </tr> </tbody> </table>	Status	1G LAN	2.5G LAN	Off	10 Mbps	10 Mbps	Green	100 Mbps	100 M/ 1G bps	Orange	1 Gbps	2.5 Gbps
Status	1G LAN		2.5G LAN											
Off	10 Mbps		10 Mbps											
Green	100 Mbps		100 M/ 1G bps											
Orange	1 Gbps	2.5 Gbps												
On	Linked													
Blinking	Data activity													

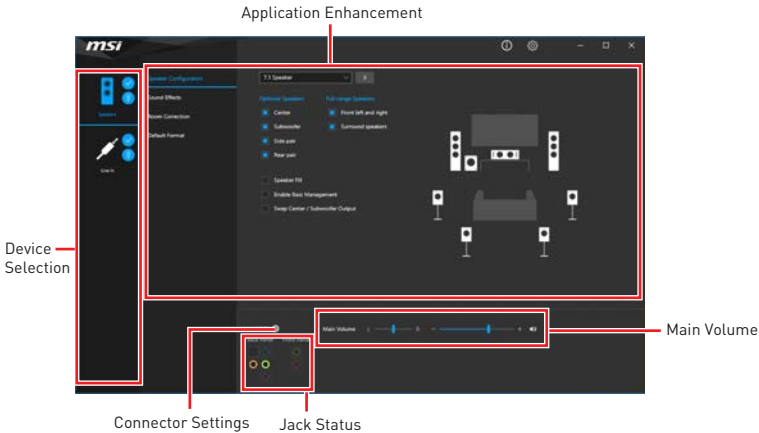
Audio Ports Configuration

Audio Ports	Channel			
	2	4	6	8
Center/ Subwoofer Out			●	●
Rear Speaker Out		●	●	●
Line-In/ Side Speaker Out				●
Line-Out/ Front Speaker Out	●	●	●	●
Mic In				

(●: connected, **Blank**: empty)

Realtek Audio Console

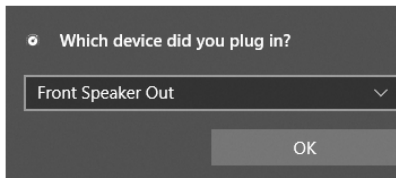
After Realtek Audio Console is installed. You can use it to change sound settings to get better sound experience.



- **Device Selection** - allows you to select a audio output source to change the related options. The **check** sign indicates the devices as default.
- **Application Enhancement** - the array of options will provide you a complete guidance of anticipated sound effect for both output and input device.
- **Main Volume** - controls the volume or balance the right/left side of the speakers that you plugged in front or rear panel by adjust the bar.
- **Jack Status** - depicts all render and capture devices currently connected with your computer.
- **Connector Settings** - configures the connection settings.

Auto popup dialog

When you plug into a device at an audio jack, a dialogue window will pop up asking you which device is current connected.

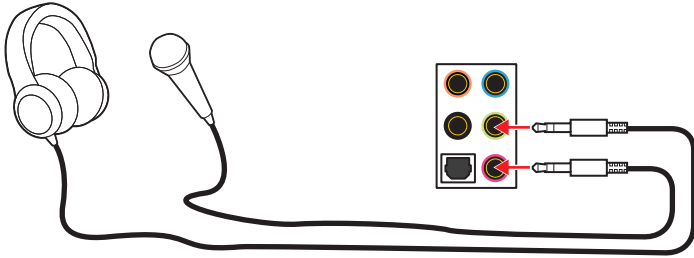


Each jack corresponds to its default setting as shown on the next page.

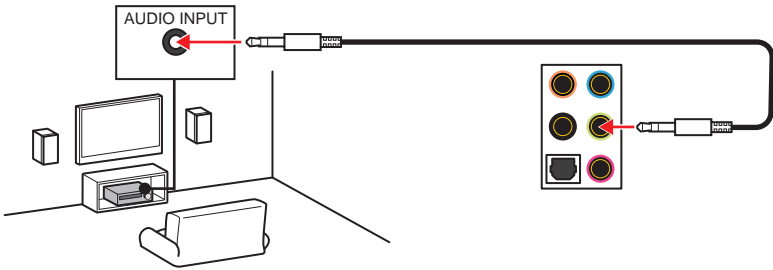


The pictures above for reference only and may vary from the product you purchased.

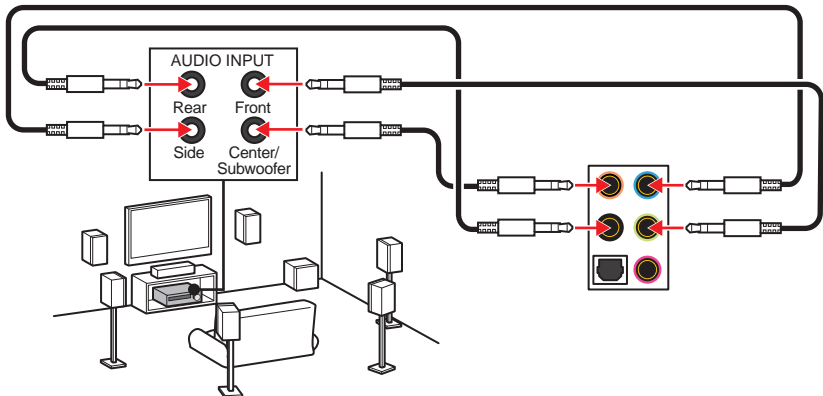
Audio jacks to headphone and microphone diagram



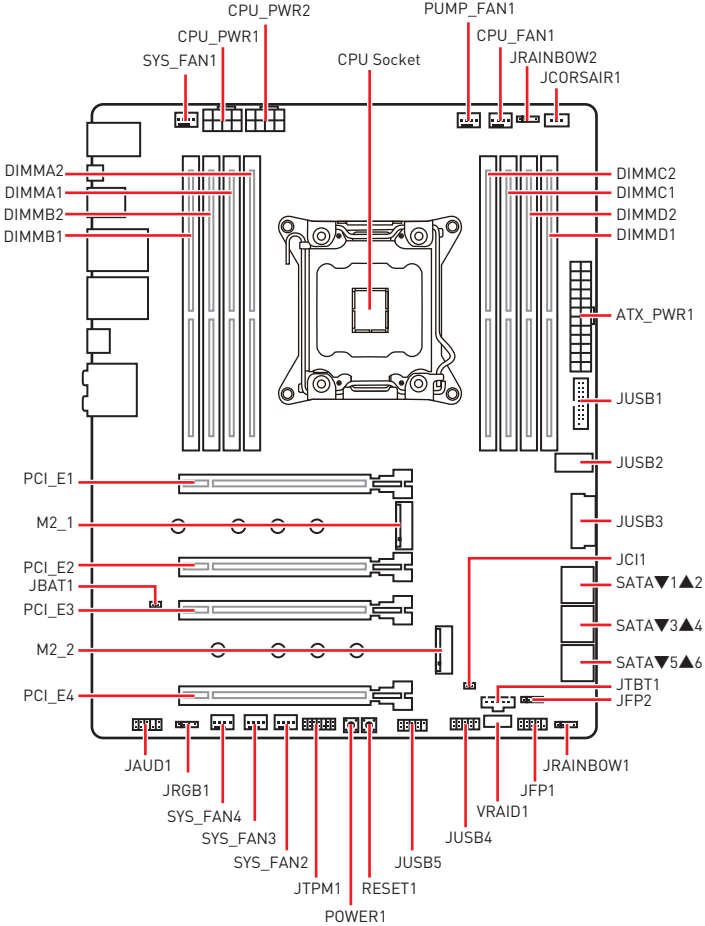
Audio jacks to stereo speakers diagram



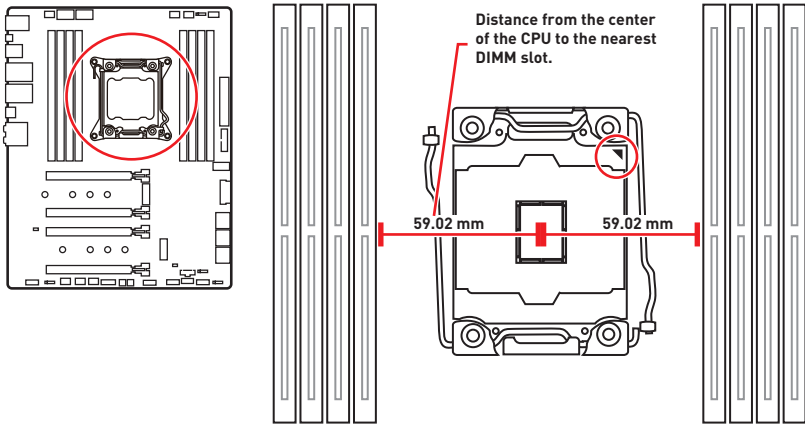
Audio jacks to 7.1-channel speakers diagram



Overview of Components

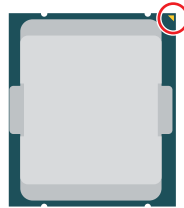


CPU Socket



Introduction to the LGA 2066 CPU

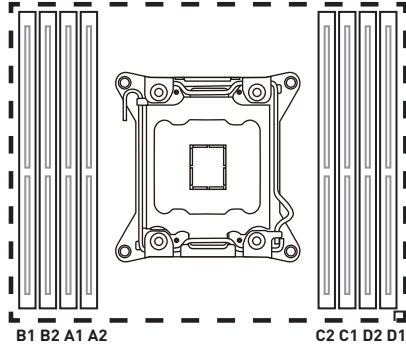
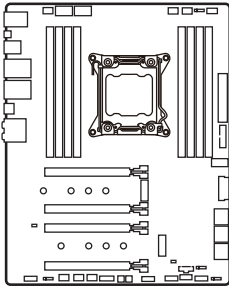
The surface of the LGA 2066 CPU has four **notches** and a **golden triangle** to assist in correctly lining up the CPU for motherboard placement. The golden triangle is the Pin 1 indicator.



Important

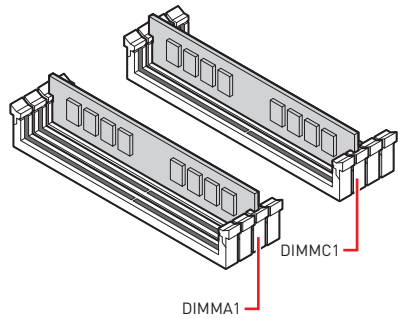
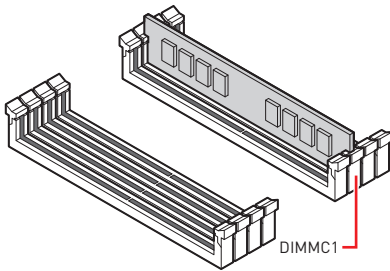
- Always unplug the power cord from the power outlet before installing or removing the CPU.
- Please retain the CPU protective cap after installing the processor. MSI will deal with Return Merchandise Authorization (RMA) requests if only the motherboard comes with the protective cap on the CPU socket.
- When installing a CPU, always remember to install a CPU heatsink. A CPU heatsink is necessary to prevent overheating and maintain system stability.
- Confirm that the CPU heatsink has formed a tight seal with the CPU before booting your system.
- Overheating can seriously damage the CPU and motherboard. Always make sure the cooling fans work properly to protect the CPU from overheating. Be sure to apply an even layer of thermal paste (or thermal tape) between the CPU and the heatsink to enhance heat dissipation.
- Whenever the CPU is not installed, always protect the CPU socket pins by covering the socket with the plastic cap.
- If you purchased a separate CPU and heatsink/ cooler, Please refer to the documentation in the heatsink/ cooler package for more details about installation.
- This motherboard is designed to support overclocking. Before attempting to overclock, please make sure that all other system components can tolerate overclocking. Any attempt to operate beyond product specifications is not recommended. MSI® does not guarantee the damages or risks caused by inadequate operation beyond product specifications.

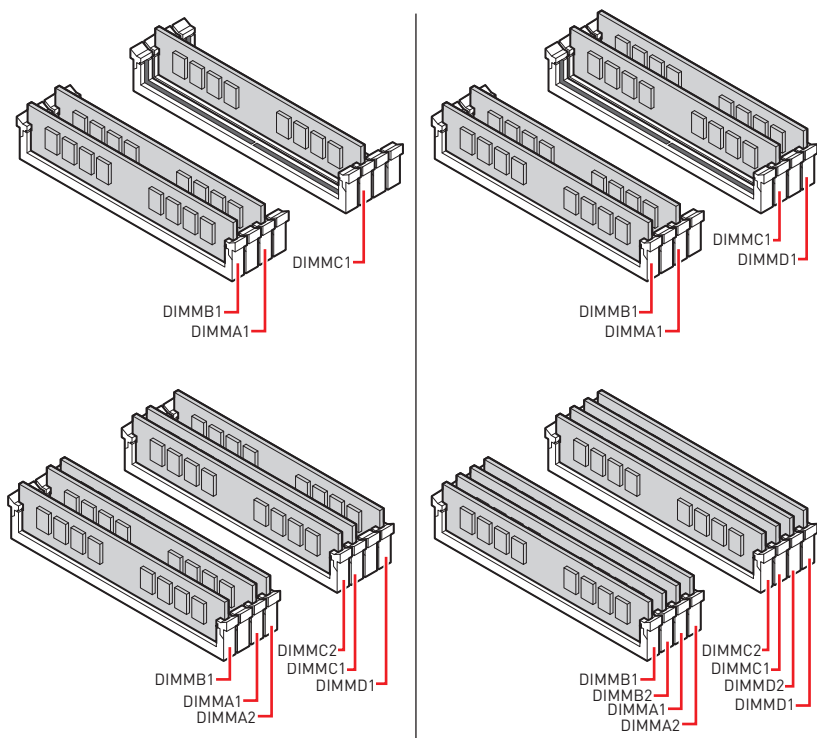
DIMM Slots



Memory module installation recommendation

	B1	B2	A1	A2	CPU Socket	C2	C1	D2	D1
1 DIMM					Intel® Core™ X-series 10000/ 9000/ 78xx (above) processors		✓		
2 DIMMs			✓				✓		
3 DIMMs	✓		✓				✓		
4 DIMMs	✓		✓				✓		✓
5 DIMMs	✓		✓			✓	✓		✓
6 DIMMs	✓		✓	✓		✓	✓		✓
7 DIMMs	✓	✓	✓	✓		✓	✓		✓
8 DIMMs	✓	✓	✓	✓		✓	✓	✓	✓



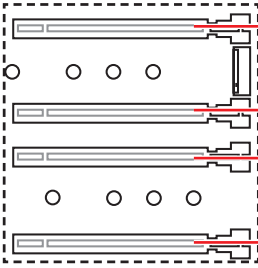


Important

- Always insert memory modules in the **DIMMC1** slot first.
- To ensure system stability for Dual/ Triple/ Quad channel mode, memory modules must be of the same type, number and density. And for every channel, the odd number DIMM slot must be installed first.
- Some memory modules may operate at a lower frequency than the marked value when overclocking due to the memory frequency operates dependent on its Serial Presence Detect (SPD). Go to BIOS and find the **Memory Try It !** to set the memory frequency if you want to operate the memory at the marked or at a higher frequency.
- It is recommended to use a more efficient memory cooling system for full DIMMs installation or overclocking.
- The stability and compatibility of installed memory module depend on installed CPU and devices when overclocking.
- Please refer www.msi.com for more information on compatible memory.

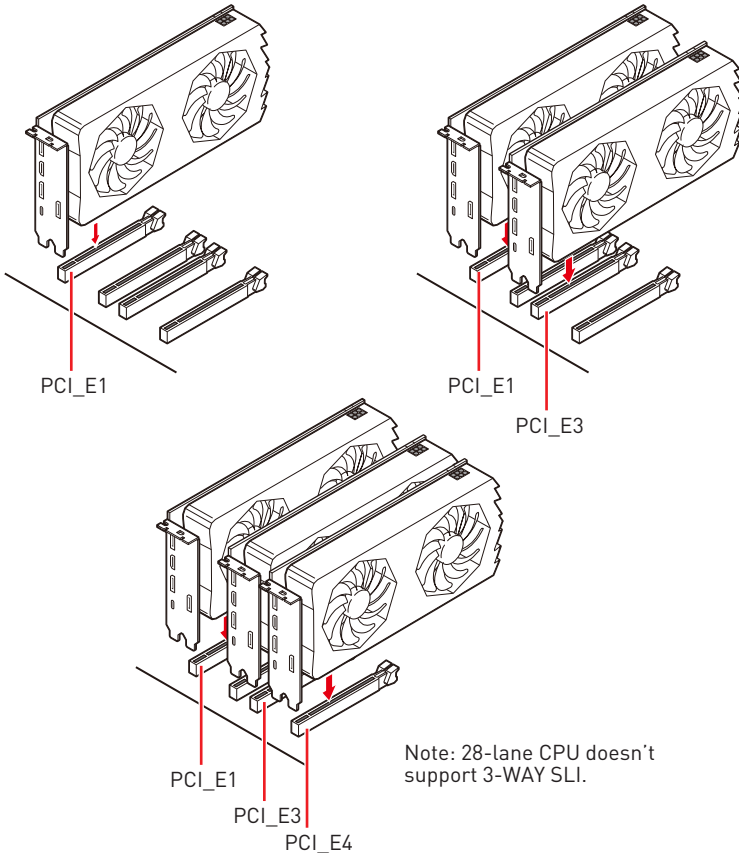
PCI_E1~4: PCIe Expansion Slots

Please refer to the table below for the PCIe lanes of the CPU.



CPU	48-lane CPU	44-lane CPU	28-lane CPU
PCI_E1	PCIe x16	PCIe x16	PCIe x16
PCI_E2	PCIe x8	PCIe x4	PCIe x4
PCI_E3	PCIe x16	PCIe x16	PCIe x8
PCI_E4	PCIe x8	PCIe x8	Unavailable

Multiple graphics cards installation recommendation



Important

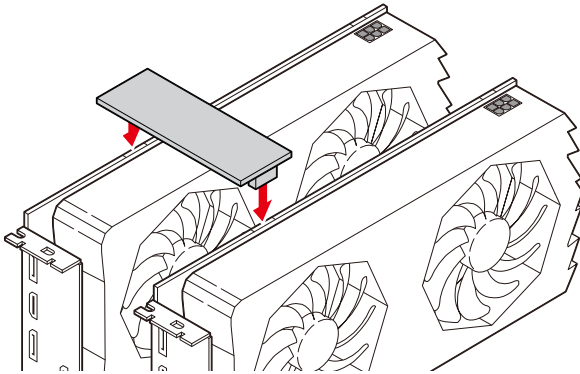
- If you install a large and heavy graphics card, you need to use a tool such as **MSI Gaming Series Graphics Card Bolster** to support its weight to prevent deformation of the slot.
- For a single PCIe x16 expansion card installation with optimum performance, using the **PCI_E1** slot is recommended.
- When adding or removing expansion cards, always turn off the power supply and unplug the power supply power cable from the power outlet. Read the expansion card's documentation to check for any necessary additional hardware or software changes.

Installing SLI graphics cards

For power supply recommendations for SLI configurations, please refer to the user guide of your graphics card to make sure you meet all the system requirements.

To install SLI graphics cards:

1. Turn off your computer and disconnect the power cord, install two graphics cards into the **PCI_E1** and **PCI_E3** slots.
2. Connect the two cards together using the **SLI Bridge Connector**.

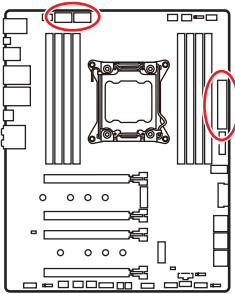


3. Connect all PCIe power connectors of the graphics cards.
4. Reconnect the power cord, power up the computer and install the drivers and software included in your graphics card package.
5. Right-click the Windows desktop and select NVIDIA Control Panel from the menu, click on Configure SLI, Surround, PhysX in the left task pane and select Maximize 3D performance in the SLI configuration menu, and then click Apply.



CPU_PWR1~2, ATX_PWR1: Power Connectors

These connectors allow you to connect an ATX power supply.



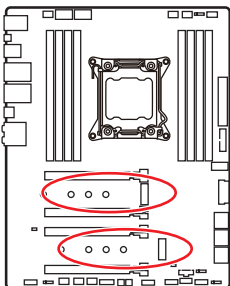
1	Ground	5	+12V
2	Ground	6	+12V
3	Ground	7	+12V
4	Ground	8	+12V

1	+3.3V	13	+3.3V
2	+3.3V	14	-12V
3	Ground	15	Ground
4	+5V	16	PS-ON#
5	Ground	17	Ground
6	+5V	18	Ground
7	Ground	19	Ground
8	PWR OK	20	Res
9	5VSB	21	+5V
10	+12V	22	+5V
11	+12V	23	+5V
12	+3.3V	24	Ground

Important

Make sure that all the power cables are securely connected to a proper ATX power supply to ensure stable operation of the motherboard.

M2_1~2: M.2 Slots (Key M)



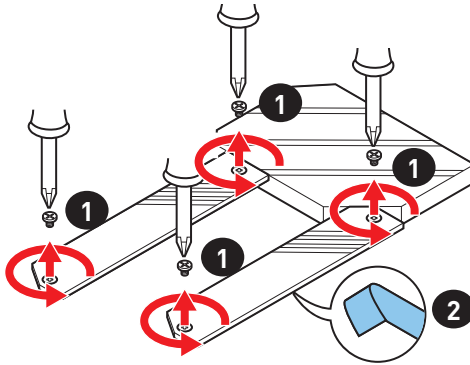
Video Demonstration

Watch the video to learn how to Install M.2 module.

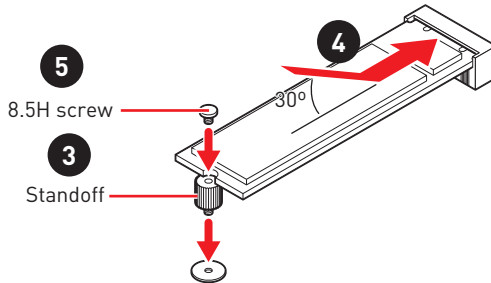
<http://youtu.be/JCTFABytrYA>

Installing M.2 module

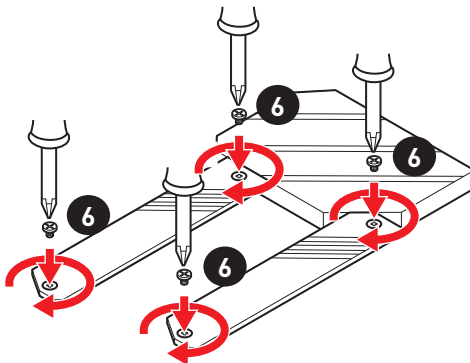
1. Loosen the screws of M.2 SHIELD FROZR.
2. Remove the M.2 SHIELD FROZR and remove the protective films from the thermal pads.



3. Move the position of the standoffs according to your M.2 SSDs length if need.
4. Insert your M.2 SSD into the M.2 slot at a 30-degree angle.
5. Secure the M.2 SSD in place with the supplied M.2 8.5H screw.



6. Put the M.2 SHIELD FROZR heatsink back in place and secure it.

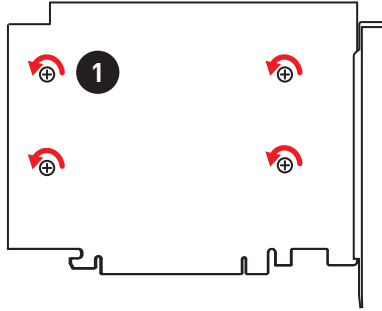


Installing M.2 XPANDER-Z GEN 4 (optional)

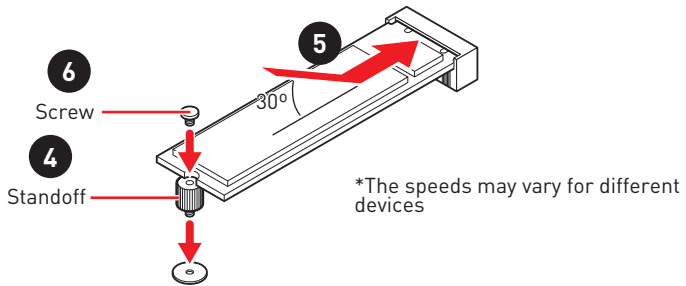
The M.2 XPANDER-Z GEN 4 card provide four M.2 Key-M slots.

To install the M.2 XPANDER-Z GEN 4 card:

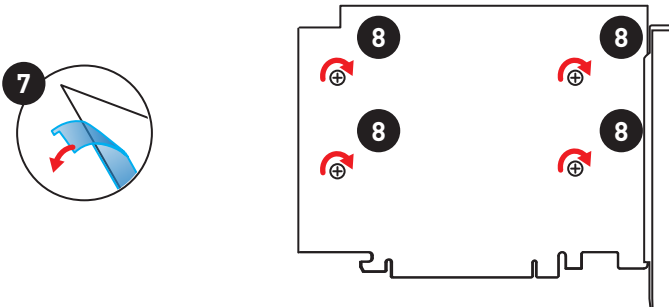
1. Remove the heatsink by loosening four heatsink screws on the bottom of M.2 XPANDER-Z GEN 4.



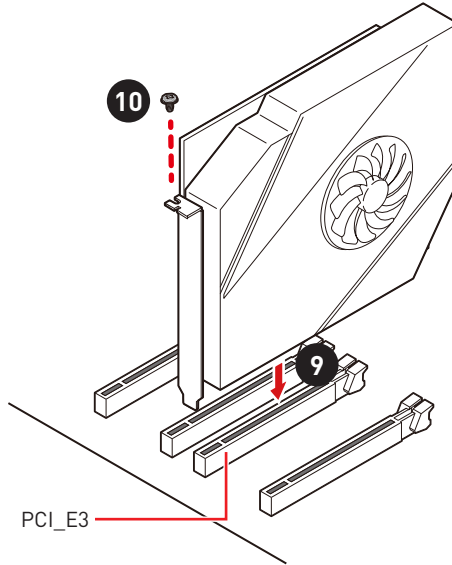
2. Loosen M.2 screw from M.2 standoff.
3. Loosen M.2 standoff.
4. Move and fasten M.2 standoff to the appropriate location for your M.2 SSD.
5. Insert your M.2 SSD into the M.2 slot at a 30-degree angle.
6. Secure the M.2 device in place with M.2 screw.



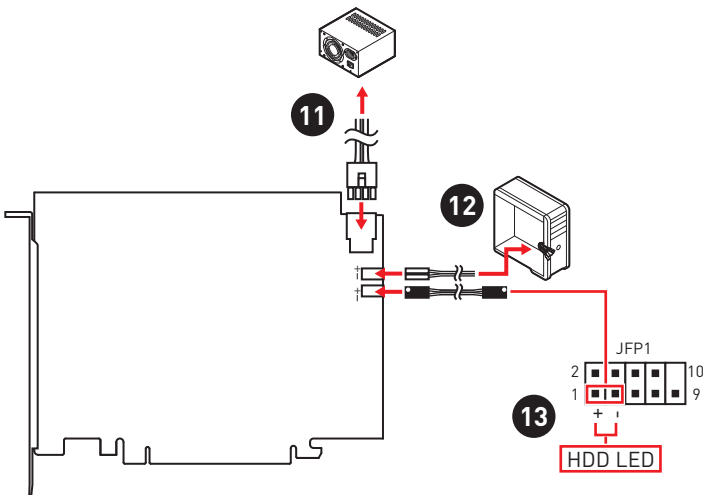
7. Remove the protective film from the thermal pad of the heatsink.
8. Reinstall and secure the heatsink with four heatsink screws.



9. Insert the M.2 XPANDER-Z GEN 4 card into the **PCI_E3** slot.
10. Use the screw to secure the M.2 XPANDER-Z GEN 4 card.

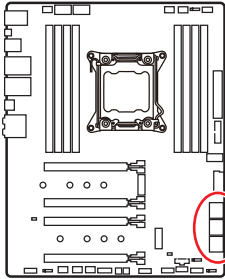


11. Connect the PCIE_PWR1 to the power supply.
12. Connect the case's HDD LED cable to the JCASE connector.
13. Using the supplied HDD LED cable to connect the JMB connector and JFP1's HDD pins [pin 1 & pin3].



SATA1~6: SATA 6Gb/s Connectors

These connectors are SATA 6Gb/s interface ports. Each connector can connect to one SATA device.

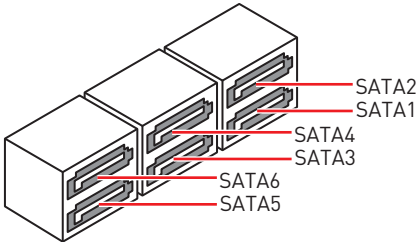


PCI_E2, M2_2 and SATA2 combination table

Slot	Combination			
PCI_E2	Installed (CPU Lanes)	Installed (CPU Lanes)	Empty	Empty
M2_2	PCIe SSD (PCH Lanes)	SATA SSD (PCH Lanes)	SATA SSD (PCH Lanes)	PCIe SSD (CPU Lanes)
SATA2	Available	Unavailable	Unavailable	Available

M2_1 and SATA1 combination table

Slot	Combination	
M2_1	PCIe SSD (PCH Lanes)	SATA SSD (PCH Lanes)
SATA1	Available	Unavailable

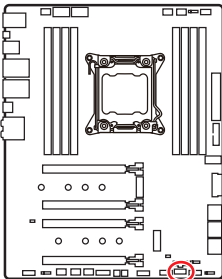



Important

- Please do not fold the SATA cable at a 90-degree angle. Data loss may result during transmission otherwise.
- SATA cables have identical plugs on either sides of the cable. However, it is recommended that the flat connector be connected to the motherboard for space saving purposes.

VRAID1: Virtual RAID on CPU Connector

This connector allows you to connect the VROC (Virtual RAID on CPU) key module. You need to enable the VROC function with Intel® RSTe (Intel® Rapid Storage Technology enterprise) driver.



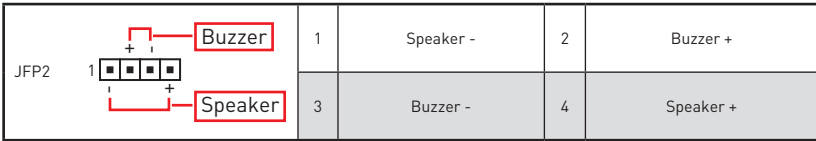
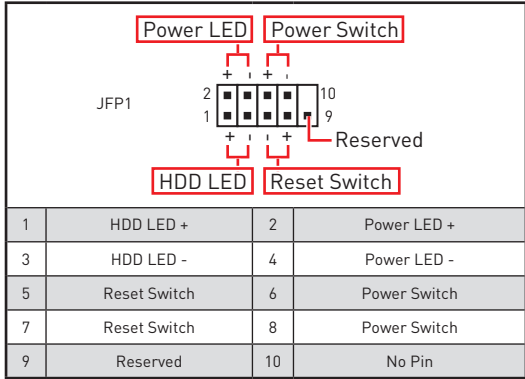
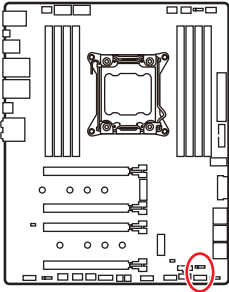
			
1	GND	2	VCC3
3	GND	4	SATA_RAID_KEY

Important

The VROC key module is purchased separately.

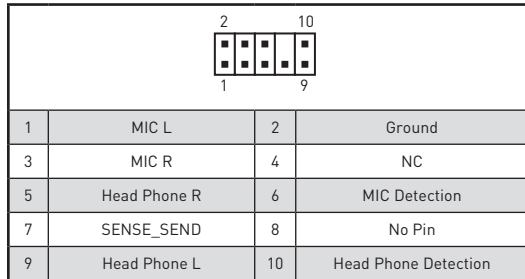
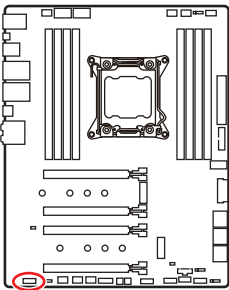
JFP1, JFP2: Front Panel Connectors

These connectors connect to the switches and LEDs on the front panel.



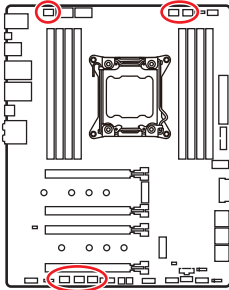
JAUD1: Front Audio Connector

This connector allows you to connect audio jacks on the front panel.



CPU_FAN1, PUMP_FAN1, SYS_FAN1~4: Fan Connectors

Fan connectors can be classified as PWM (Pulse Width Modulation) Mode or DC Mode. PWM Mode fan connectors provide constant 12V output and adjust fan speed with speed control signal. DC Mode fan connectors control fan speed by changing voltage. This motherboard can automatically detect PWM and DC mode. However, you can follow the instruction below to adjust the fan connector to PWM or DC Mode manually.

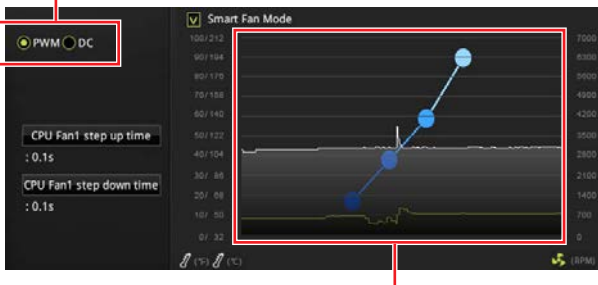


CPU_FAN1/ PUMP_FAN1/ SYS_FAN1~4

Switching fan mode and adjusting fan speed

You can switch between PWM mode and DC mode and adjust fan speed in **BIOS > HARDWARE MONITOR**.

Select **PWM** mode or **DC** mode



There are gradient points of the fan speed that allow you to adjust fan speed in relation to CPU temperature.



Important
Make sure fans are working properly after switching the PWM/ DC mode.

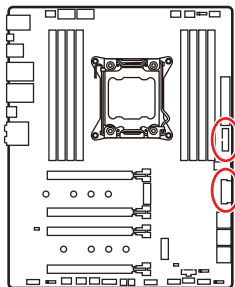
Pin definition of fan connectors

PWM Mode pin definition			
1	Ground	2	+12V
3	Sense	4	Speed Control Signal

DC Mode pin definition			
1	Ground	2	Voltage Control
3	Sense	4	NC

JUSB1, JUSB3: USB 3.2 Gen1 Connectors

These connectors allow you to connect USB 3.2 Gen1 ports on the front panel.

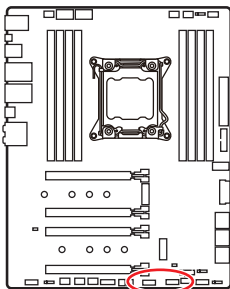


1	Power	11	USB2.0+
2	USB3_RX_DN	12	USB2.0-
3	USB3_RX_DP	13	Ground
4	Ground	14	USB3_TX_C_DP
5	USB3_TX_C_DN	15	USB3_TX_C_DN
6	USB3_TX_C_DP	16	Ground
7	Ground	17	USB3_RX_DP
8	USB2.0-	18	USB3_RX_DN
9	USB2.0+	19	Power
10	NC	20	No Pin

Important

Note that the Power and Ground pins must be connected correctly to avoid possible damage.

JUSB4~5: USB 2.0 Connectors



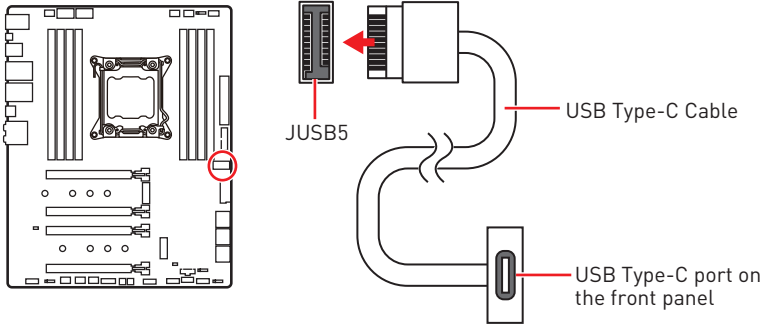
1	VCC	2	VCC
3	USB0-	4	USB1-
5	USB0+	6	USB1+
7	Ground	8	Ground
9	No Pin	10	NC

Important

- Note that the VCC and Ground pins must be connected correctly to avoid possible damage.
- In order to recharge your iPad, iPhone and iPod through USB ports, please install MSI DRAGON CENTER utility.

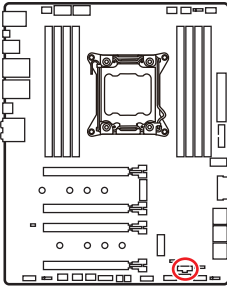
JUSB2: USB 3.2 Gen2 Type-C Connector

This connector allows you to connect USB 3.2 Gen2 Type-C connector on the front panel. The connector possesses a foolproof design. When you connect the cable, be sure to connect it with the corresponding orientation.



JTBT1: Thunderbolt Add-on Card Connector

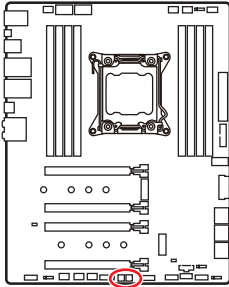
This connector allows you to connect the add-on Thunderbolt I/O card.



1			
1	FORCE_PWR	2	SCI_EVENT
3	SLP_S3#	4	SLP_S5#
5	GND		

POWER1, RESET1: Power Button, Reset Button

The Power / Reset button allows you to power on / reset the computer.



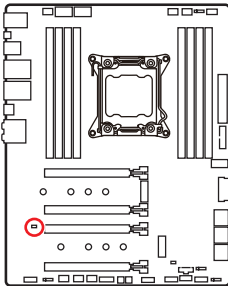
Power button



Reset button

JBAT1: Clear CMOS (Reset BIOS) Jumper

There is CMOS memory onboard that is external powered from a battery located on the motherboard to save system configuration data. If you want to clear the system configuration, set the jumper to clear the CMOS memory.



Keep Data
(default)



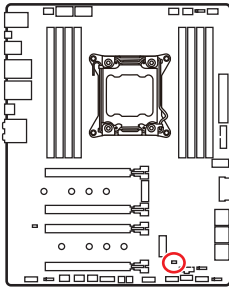
Clear CMOS/
Reset BIOS

Resetting BIOS to default values

1. Power off the computer and unplug the power cord
2. Use a jumper cap to short JBAT1 for about 5-10 seconds.
3. Remove the jumper cap from JBAT1.
4. Plug the power cord and power on the computer.

JCI1: Chassis Intrusion Connector

This connector allows you to connect the chassis intrusion switch cable.



Normal
(default)



Trigger the chassis
intrusion event

Using chassis intrusion detector

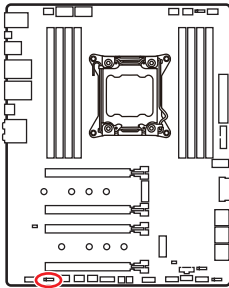
1. Connect the **JCI1** connector to the chassis intrusion switch/ sensor on the chassis.
2. Close the chassis cover.
3. Go to **BIOS > SETTINGS > Security > Chassis Intrusion Configuration**.
4. Set **Chassis Intrusion** to **Enabled**.
5. Press **F10** to save and exit and then press the **Enter** key to select **Yes**.
6. Once the chassis cover is opened again, a warning message will be displayed on screen when the computer is turned on.

Resetting the chassis intrusion warning

1. Go to **BIOS > SETTINGS > Security > Chassis Intrusion Configuration**.
2. Set **Chassis Intrusion** to **Reset**.
3. Press **F10** to save and exit and then press the **Enter** key to select **Yes**.

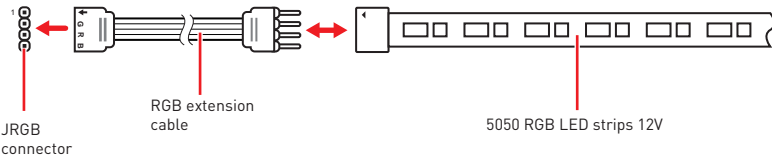
JRGB1: RGB LED connector

The JRGB connector allows you to connect the 5050 RGB LED strips 12V.

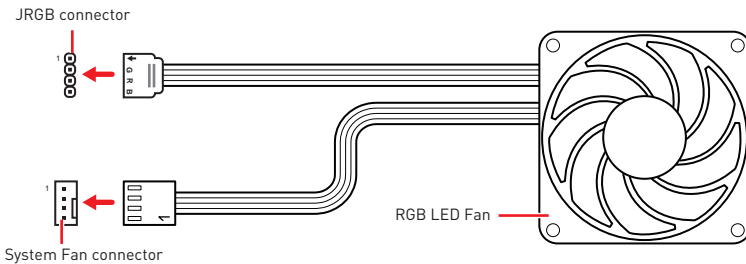


1			
1	+12V	2	G
3	R	4	B

RGB LED Strip Connection



RGB LED Fan Connection

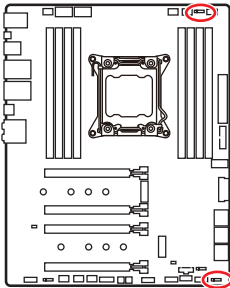


Important

- The JRGB connector supports up to 2 meters continuous 5050 RGB LED strips (12V/G/R/B) with the maximum power rating of 3A (12V).
- Always turn off the power supply and unplug the power cord from the power outlet before installing or removing the RGB LED strip.
- Please use MSI's software to control the extended LED strip.

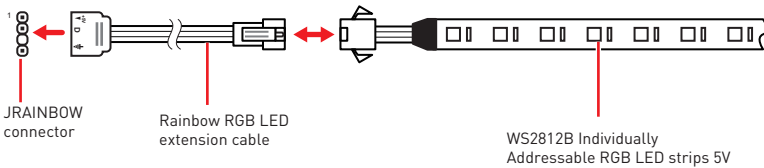
JRAINBOW1~2: Addressable RGB LED connectors

The JRAINBOW connectors allow you to connect the WS2812B Individually Addressable RGB LED strips 5V.

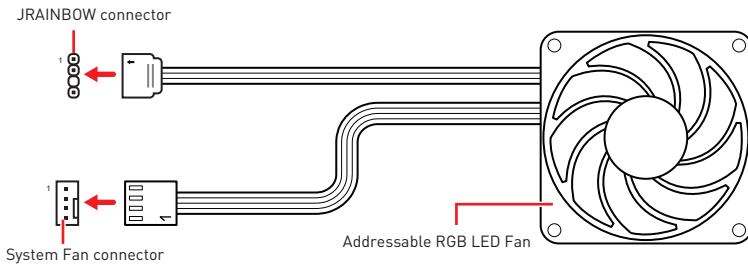


1			
1	+5V	2	Data
3	No Pin	4	Ground

Addressable RGB LED Strip Connection



Addressable RGB LED Fan Connection



CAUTION

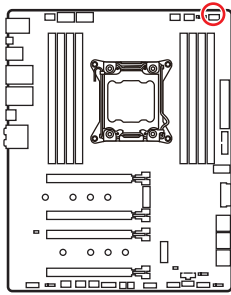
Do not connect the wrong type of LED strips. The JRGB connector and the JRAINBOW connector provide different voltages, and connecting the 5V LED strip to the JRGB connector will result in damage to the LED strip.

Important

- The JRAINBOW connector supports up to 75 LEDs WS2812B Individually Addressable RGB LED strips (5V/Data/Ground) with the maximum power rating of 3A (5V). In the case of 20% brightness, the connector supports up to 200 LEDs.
- Always turn off the power supply and unplug the power cord from the power outlet before installing or removing the RGB LED strip.
- Please use MSI's software to control the extended LED strip.

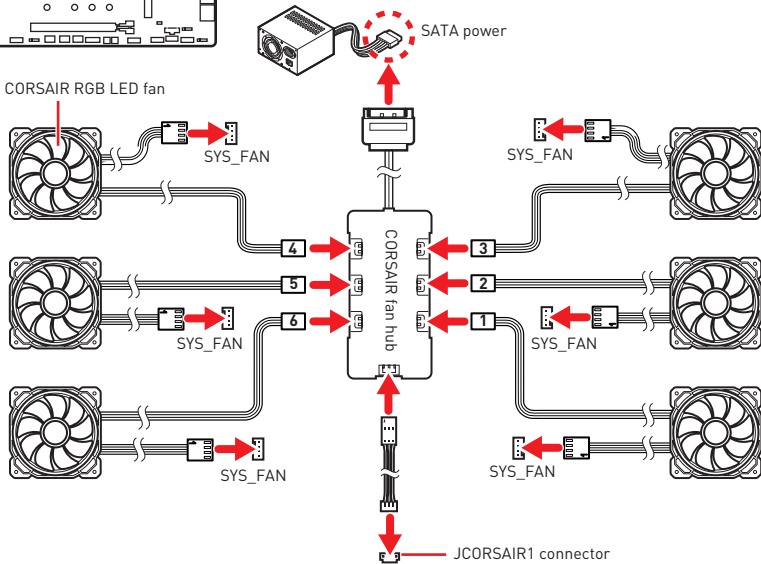
JCORSAIR1: CORSAIR Connector

The JCORSAIR1 connector allows you to connect the CORSAIR Individually Addressable RGB LED strips 5V or CORSAIR RGB LED fans with the CORSAIR fan hub. Once all items are connected properly, you can control the CORSAIR RGB LED strips and fans with MSI's software.

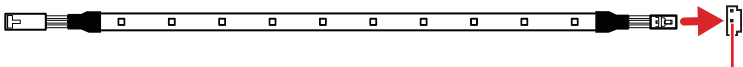


1			
1	+5V	2	Data
3	Ground		

CORSAIR RGB LED Fan Connection



CORSAIR Lighting Node PRO Connection



JCORSAIR1 connector

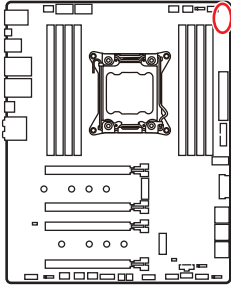
Important

- Fans must start at 1 and continue in series. 1 > 2 > 3 > 4 > 5 > 6. Any fan not connected in series will break communication and the RGB LED lighting function will not work.
- Quantity of RGB LED Fans or RGB LED Lighting PRO strips supported may differ between models. Please refer to the motherboard specification.
- CORSAIR RGB LED Fan and CORSAIR Lighting Node PRO can't be used at the same time.

Onboard LEDs

EZ Debug LED

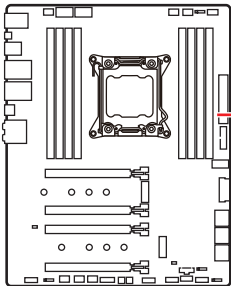
These LEDs indicate the debug status of the motherboard.



- CPU** - indicates CPU is not detected or fail.
- DRAM** - indicates DRAM is not detected or fail.
- VGA** - indicates GPU is not detected or fail.
- BOOT** - indicates the booting device is not detected or fail.

XMP LED

This LED indicates the XMP (Extreme Memory Profile) mode is enabled.



XMP LED

Installing OS, Drivers & Utilities

Please download and update the latest utilities and drivers at www.msi.com

Installing Windows® 10

1. Power on the computer.
2. Insert the Windows® 10 installation disc/USB into your computer.
3. Press the **Restart** button on the computer case.
4. Press **F11** key during the computer POST (Power-On Self Test) to get into Boot Menu.
5. Select the Windows® 10 installation disc/USB from the Boot Menu.
6. Press any key when screen shows **Press any key to boot from CD or DVD...** message.
7. Follow the instructions on the screen to install Windows® 10.

Installing Drivers

1. Start up your computer in Windows® 10.
2. Insert MSI® Driver Disc into your optical drive.
3. Click the **Select to choose what happens with this disc** pop-up notification, then select **Run DVDSetup.exe** to open the installer. If you turn off the AutoPlay feature from the Windows Control Panel, you can still manually execute the **DVDSetup.exe** from the root path of the MSI Driver Disc.
4. The installer will find and list all necessary drivers in the **Drivers/Software** tab.
5. Click the **Install** button in the lower-right corner of the window.
6. The drivers installation will then be in progress, after it has finished it will prompt you to restart.
7. Click **OK** button to finish.
8. Restart your computer.

Installing Utilities

Before you install utilities, you must complete drivers installation.

1. Open the installer as described above.
2. Click the **Utilities** tab.
3. Select the utilities you want to install.
4. Click the **Install** button in the lower-right corner of the window.
5. The utilities installation will then be in progress, after it has finished it will prompt you to restart.
6. Click **OK** button to finish.
7. Restart your computer.

BIOS Setup

The default settings offer the optimal performance for system stability in normal conditions. You should **always keep the default settings** to avoid possible system damage or failure booting unless you are familiar with BIOS.



Important

- BIOS items are continuously update for better system performance. Therefore, the description may be slightly different from the latest BIOS and should be for reference only. You could also refer to the **HELP** information panel for BIOS item description.
- The pictures in this chapter are for reference only and may vary from the product you purchased.

Entering BIOS Setup

Please refer the following methods to enter BIOS setup.

- Press **Delete** key, when the **Press DEL key to enter Setup Menu, F11 to enter Boot Menu** message appears on the screen during the boot process.
- In **MSI Dragon Center** application, click on **G02BIOS** button and choose **OK**. The system will reboot and enter BIOS setup directly.

Function key

- F1:** General Help
- F2:** Add/ Remove a favorite item
- F3:** Enter Favorites menu
- F4:** Enter CPU Specifications menu
- F5:** Enter Memory-Z menu
- F6:** Load optimized defaults
- F7:** Switch between Advanced mode and EZ mode
- F8:** Load Overclocking Profile
- F9:** Save Overclocking Profile
- F10:** Save Change and Reset*
- F12:** Take a screenshot and save it to USB flash drive (FAT/ FAT32 format only).
- Ctrl+F:** Enter Search page

* When you press F10, a confirmation window appears and it provides the modification information. Select between Yes or No to confirm your choice.

Resetting BIOS

You might need to restore the default BIOS setting to solve certain problems. There are several ways to reset BIOS:

- Go to BIOS and press **F6** to load optimized defaults.
- Short the **Clear CMOS** jumper on the motherboard.



*Be sure the computer is off before clearing CMOS data. Please refer to the **Clear CMOS** jumper section for resetting BIOS.*

Updating BIOS

Updating BIOS with M-FLASH

Before updating:

Please download the latest BIOS file that matches your motherboard model from MSI website. And then save the BIOS file into the USB flash drive.

Updating BIOS:

1. Insert the USB flash drive that contains the update file into the USB port.
2. Please refer the following methods to enter flash mode.
 - Reboot and press **Ctrl + F5** key during POST and click on **Yes** to reboot the system.
 - Reboot and press **Del** key during POST to enter BIOS. Click the **M-FLASH** button and click on **Yes** to reboot the system.
3. Select a BIOS file to perform the BIOS update process.
4. After the flashing process is 100% completed, the system will reboot automatically.

Updating the BIOS with MSI DRAGON CENTER

Before updating:

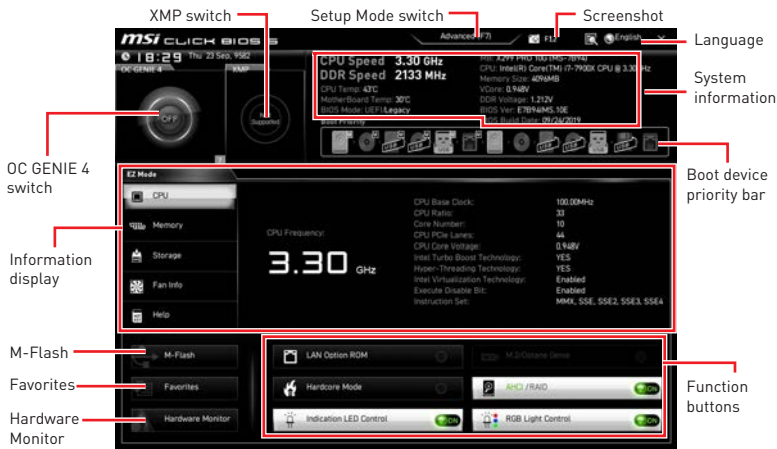
Make sure the LAN driver is already installed and the Internet connection is set properly.

Updating BIOS:

1. Install and launch MSI DRAGON CENTER.
2. Select **BIOS Update**.
3. Click on **Scan** button.
4. Click on **Download** icon to download and install the latest BIOS file.
5. Click **Next** and choose **In Windows mode**. And then click **Next** and **Start** to start updating BIOS.
6. After the flashing process is 100% completed, the system will restart automatically.

EZ Mode

At EZ mode, it provides the basic system information and allows you to configure the basic setting. To configure the advanced BIOS settings, please enter the Advanced Mode by pressing the **Setup Mode switch** or **F7** function key.



- **OC GENIE 4 switch** - click on it to toggle the **OC GENIE 4** for OC.

Important

Please don't make any changes in OC menu and don't load defaults to keep the optimal performance and system stability after activating the **OC GENIE 4** function.

- **XMP switch** - click on the inner circle to enable/ disable the X.M.P. (Extreme Memory Profile). Switch the outer circle to select the X.M.P. profile. This switch will only be available if the X.M.P. supported memory module is installed.
- **Setup Mode switch** - press this tab or the **F7** key to switch between Advanced mode and EZ mode.
- **Screenshot** - click on this tab or the **F12** key to take a screenshot and save it to USB flash drive (FAT/ FAT32 format only).
- **Search** - click on this tab or the **Ctrl+F** keys and the search page will show. It allows you to search by BIOS item name, enter the item name to find the item listing. Move the mouse over a blank space and right click the mouse to exit search page.

Important

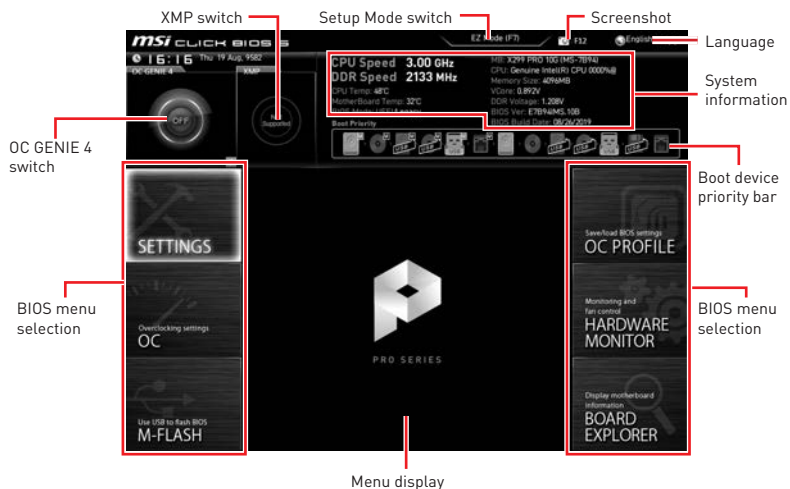
In search page, only the **F6**, **F10** and **F12** function keys are available.

- **Language** - allows you to select the language of BIOS setup.
- **System information** - shows the CPU/ DDR speed, CPU/ MB temperature, MB/ CPU type, memory size, CPU/ DDR voltage, BIOS version and build date.
- **Boot device priority bar** - you can move the device icons to change the boot priority. The boot priority from high to low is left to right.

- **Information display** - click on the **CPU, Memory, Storage, Fan Info** and **Help** buttons on left side to display related information.
- **Function buttons** - enable or disable the **LAN Option ROM, M.2/Optane Genie, Hardcore Mode, AHCI/RAID, Indication LED Control** and **RGB Light Control** by clicking on their respective button.
- **M-Flash** - click on this button to display the **M-Flash** menu that provides the way to update BIOS with a USB flash drive.
- **Hardware Monitor** - click on this button to display the **Hardware Monitor** menu that allows you to manually control the fan speed by percentage.
- **Favorites** - press the **Favorites** tab or the **F3** key to enter **Favorites** menu. It allows you to create personal BIOS menu where you can save and access favorite/frequently-used BIOS setting items.
 - **Default HomePage** - allows you to select a BIOS menu (e.g. SETTINGS, OC...,etc) as the BIOS home page.
 - **Favorite1~5** - allows you to add the frequently-used/ favorite BIOS setting items in one page.
 - **To add a BIOS item to a favorite page (Favorite 1~5)**
 1. Move the mouse over a BIOS item not only on BIOS menu but also on search page.
 2. Right-click or press **F2** key.
 3. Choose a favorite page and click on **OK**.
 - **To delete a BIOS item from favorite page**
 1. Move the mouse over a BIOS item on favorite page (Favorite 1~5)
 2. Right-click or press **F2** key.
 3. Choose **Delete** and click on **OK**.

Advanced Mode

Press **Setup Mode switch** or **F7** function key can switch between EZ Mode and Advanced Mode in BIOS setup.



- **BIOS menu selection** - the following options are available:
 - **SETTINGS** - allows you to specify the parameters for chipset and boot devices.
 - **OC** - allows you to adjust the frequency and voltage. Increasing the frequency may get better performance.
 - **M-FLASH** - provides the way to update BIOS with a USB flash drive.
 - **OC PROFILE** - allows you to manage overclocking profiles.
 - **HARDWARE MONITOR** - allows you to set the speeds of fans and monitor voltages of system.
 - **BOARD EXPLORER** - provides the information of installed devices on this motherboard.
- **Menu display** - provides BIOS setting items and information to be configured.

OC Menu

This menu is for advanced users who want to overclock the motherboard.



Important

- Overclocking your PC manually is only recommended for advanced users.
- Overclocking is not guaranteed, and if done improperly, it could void your warranty or severely damage your hardware.
- If you are unfamiliar with overclocking, we advise you to use **OC GENIE 4** function for easy overclocking.
- The BIOS items in OC menu will vary with the processor.

► **OC Explore Mode [Normal]**

Enables or disables to show the normal or expert version of OC settings.

[Normal] Provides the regular OC settings in BIOS setup.

[Expert] Provides the advanced OC settings for OC expert to configure in BIOS setup.

Note: We use * as the symbol for the OC settings of Expert mode.

► **CPU Ratio Apply Mode [All Core]***

Sets applied mode for CPU ratio. This item only appears when a CPU that supports **Turbo Boost** is installed.

[All Core] Enables the **CPU Ratio**. All CPU cores will run the same CPU ratio that be set in **CPU Ratio**.

[Per Core] Enables the **Core X X of X xxxx MHz**. Sets each CPU core ratio separately.

[Turbo Ratio] Enables the **X-Core Ration Limit**. This option only appears when a CPU that supports this function is installed.

► **X-Core Ratio Limit [Auto]***

Allows you to set the CPU ratios for different number of active cores. These items only appear when **CPU Ratio Apply Mode** set to **Turbo Ratio**.

► **Adjusted CPU Frequency**

Shows the adjusted CPU frequency. Read-only.

► **Core X X of X xxxx MHz [Auto]***

Allows you to set the CPU ratios for different number of active cores. These items only appear when **CPU Ratio Apply Mode** set to **Per Core**.

► **CPU Ratio Offset When Running AVX [Auto]**

Sets a offset value to lower the CPU core ratio. It could be helpful for heat dissipation when running AVX instruction set. If set to Auto, BIOS will configure this setting automatically. This item appears when the installed CPU supports this function.

► **Ring Ratio [Auto]**

Sets the ring ratio. The valid value range depends on the installed CPU.

► **Adjusted Ring Frequency**

Shows the adjusted Ring frequency. Read-only.

► **Misc Setting***

Press Enter, + or - key to open or close the following 3 items related to CPU features.

► **EIST [Enabled]***

Enables or disables the Enhanced Intel® SpeedStep Technology.

[Enabled] Enables the EIST to adjust CPU voltage and core frequency dynamically. It can decrease average power consumption and average heat production.

[Disabled] Disables EIST.

► **Intel Turbo Boost [Enabled]***

Enables or disables the Intel® Turbo Boost. This item appears when the installed CPU supports this function.

[Enabled] Enables this function to boost CPU performance automatically above rated specifications when system request the highest performance state.

[Disabled] Disables this function.

► **Enhanced Turbo [Auto]***

Enables or disables Enhanced Turbo function for all CPU cores to boost CPU performance. This item appears when the installed CPU supports this function.

[Auto] This setting will be configured automatically by BIOS.

[Enabled] All CPU cores would be increased to maximum turbo ratio.

[Disabled] Disables this function.

► **CPU Base Clock (MHz)**

Sets the CPU Base clock. You may overclock the CPU by adjusting this value. Please note that overclocking behavior and stability is not guaranteed. This item appears when a CPU that support this function is installed.

► **CPU Base Clock Apply Mode [Auto]***

Sets the applying mode for adjusted CPU base clock.

[Auto] This setting will be configured automatically by BIOS.

[Next Boot] CPU will run the adjusted CPU base clock at next boot.

[Immediate] CPU runs the adjusted CPU base clock immediately.

► Extreme Memory Profile (X.M.P.) [Disabled]

X.M.P. (Extreme Memory Profile) is the overclocking technology by memory module. Please enable XMP or select a profile of memory module for overclocking the memory. This item will be available when the memory modules that support X.M.P. is installed.

► DRAM Reference Clock [Auto]*

Sets the DRAM reference clock. The valid value range depends on the installed CPU. This item appears when a CPU that supports this adjustment is installed.

► DRAM Frequency [Auto]

Sets the DRAM frequency. Please note the overclocking behavior is not guaranteed.

► Adjusted DRAM Frequency

Shows the adjusted DRAM frequency. Read-only.

► Load Memory Presets [Disabled]*

Load OC Memory Preset will optimize the timing, voltage of installed memory module.



Important

Manual tweaking or fine-tune preferred parameter is still recommended due to different memory module manufacturing quality.

► Memory Try It ! [Disabled]

It improve memory compatibility or performance by choosing optimized memory preset.

► DRAM Timing Mode [Link]

Selects the memory timing mode.

[Link] Allows user to configure the DRAM timing for all memory channel.

[UnLink] Allows user to configure the DRAM timing for respective memory channel.

► Advanced DRAM Configuration

Press **Enter** to enter the sub-menu. User can set the memory timing for each/ all memory channel. The system may become un-stable or un-bootable after changing memory timing. If it occurs, please clear the CMOS data and restore the default settings. (Refer to the Clear CMOS jumper/ button section to clear the CMOS data, and enter the BIOS to load the default settings.)

► Memory Fast Boot [Auto]*

Enables or disables the initiation and training for memory every booting.

[Auto] The setting will be configured automatically by BIOS.

[Enabled] System will completely keep the archives of first initiation and training for memory. So the memory will not be initiated and trained when booting to accelerate the system booting time.

[Disabled] The memory will be initiated and trained every booting.

► CPU Voltages control [Auto]

These options allows you to set the voltages related to CPU. If set to **Auto**, BIOS will set these voltages automatically or you can set it manually.

▶ DRAM Voltages control [Auto]

These options allows you to set the voltages related to memory. If set to **Auto**, BIOS will set these voltages automatically or you can set it manually.

▶ CPU Memory Changed Detect [Enabled]*

Enables or disables the system to issue a warning message during boot when the CPU or memory has been replaced.

[Enabled] The system will issue a warning message during boot and then you have to load the default settings for new devices.

[Disabled] Disables this function and keeps the current BIOS settings.

▶ OC Quick View Timer [3 Sec]*

Sets the duration of OC setting values showed on the screen. If set to Disabled, BIOS will not show the variations of OC setting.

▶ CPU Specifications

Press **Enter** to enter the sub-menu. This sub-menu displays the information of installed CPU. You can also access this information menu at any time by pressing [F4]. Read only.

▶ CPU Technology Support

Press **Enter** to enter the sub-menu. The sub-menu shows the key features of installed CPU. Read only.

▶ MEMORY-Z

Press **Enter** to enter the sub-menu. This sub-menu displays all the settings and timings of installed memory. You can also access this information menu at any time by pressing [F5].

▶ DIMMA1/A2/B1/B2/C1/C2/D1/D2 Memory SPD

Press **Enter** to enter the sub-menu. The sub-menu displays the information of installed memory. Read only.

▶ CPU Features

Press **Enter** to enter the sub-menu.

▶ Hyper-Threading [Enabled]

Intel Hyper-Threading technology treats the multi cores inside the processor as multi logical processors that can execute instructions simultaneously. In this way, the system performance is highly improved. This item appears when the installed CPU supports this technology.

[Enable] Enables Intel Hyper-Threading technology.

[Disabled] Disables this item if the system does not support HT function.

▶ Active Processor Cores Control [All]

Allows you to select the number of active CPU cores.

► **Limit CPUID Maximum [Disabled]**

Enables or disables the extended CPUID value.

[Enabled] BIOS limits the maximum CPUID input value to circumvent boot problems with older operating system that do not support the processor with extended CPUID value.

[Disabled] Use the actual maximum CPUID input value.

► **Intel Virtualization Tech [Enabled]**

Enables or disables Intel Virtualization technology.

[Enabled] Enables Intel Virtualization technology and allows a platform to run multiple operating systems in independent partitions. The system can function as multiple systems virtually.

[Disabled] Disables this function.

► **Intel VT-D Tech [Disabled]**

Enables or disables Intel VT-D (Intel Virtualization for Directed I/O) technology.

► **Hardware Prefetcher [Enabled]**

Enables or disables the hardware prefetcher (MLC Streamer prefetcher).

[Enabled] Allows the hardware prefetcher to automatically pre-fetch data and instructions into L2 cache from memory for tuning the CPU performance.

[Disabled] Disables the hardware prefetcher.

► **Adjacent Cache Line Prefetch [Enabled]**

Enables or disables the CPU hardware prefetcher (MLC Spatial prefetcher).

[Enabled] Enables adjacent cache line prefetching for reducing the cache latency time and tuning the performance to the specific application.

[Disabled] Enables the requested cache line only.

► **CPU AES Instructions [Enabled]**

Enables or disables the CPU AES (Advanced Encryption Standard-New Instructions) support. This item appears when a CPU supports this function.

► **Intel Adaptive Thermal Monitor [Enabled]**

Enables or disables the Intel adaptive thermal monitor function to protect the CPU from overheating.

[Enabled] Throttles down the CPU core clock speed when the CPU is over the adaptive temperature.

[Disabled] Disables this function.

► **Intel C-State [Auto]**

Enables or disables the Intel C-state. C-state is a processor power management technology defined by ACPI.

[Auto] This setting will be configured automatically by BIOS.

[Enabled] Detects the idle state of system and reduce CPU power consumption accordingly.

[Disabled] Disable this function.

► **C1E Support [Disabled]**

Enables or disables the C1E function for power-saving in halt state. This item appears when **Intel C-State** is enabled.

[Enabled] Enables C1E function to reduce the CPU frequency and voltage for power-saving in halt state.

[Disabled] Disables this function.

► **Package C State limit [Auto]**

This item allows you to select a CPU C-state level for power-saving when system is idle. The options of C-state depend on the installed CPU. This item appears when **Intel C-State** is enabled.

► **CFG Lock [Enabled]**

Lock or un-lock the MSR 0xE2[15], CFG lock bit.

[Enabled] Locks the CFG lock bit.

[Disabled] Un-locks the CFG lock bit.

► **Long Duration Power Limit (W) [Auto]**

Sets the long duration TDP power limit for CPU in Turbo Boost mode.

► **Long Duration Maintained (s) [Auto]**

Sets the maintaining time for Long duration power Limit(W).

► **Short Duration Power Limit (W) [Auto]**

Sets the short duration TDP power limit for CPU in Turbo Boost mode.

► **CPU Current Limit (A) [Auto]**

Sets maximum current limit of CPU package in Turbo Boost mode. When the current is over the specified value, the CPU will automatically reduce the core frequency for reducing the current.

► **Internal VR OVP OCP Protection [Auto]**

Enables or disables the over-voltage protection and over-current protection for CPU internal VR (Voltage Regulator). This item only appears when a CPU that support this function is installed.

[Auto] This setting will be configured automatically by BIOS.

[Enabled] Enables the limitation of internal VR for over-voltage protection and over-current protection.

[Disabled] Disables this function for overclocking.

► **Internal VR Efficiency Management [Auto]**

Enables or disables the CPU internal VR efficiency management. This item only appears when a CPU that support this function is installed.

[Auto] This setting will be configured automatically by BIOS.

[Enabled] Enables the VR efficiency management for power-saving control.

[Disabled] Disables this function.

目次

安全に関する注意事項	3
仕様	4
パッケージの内容	9
リアI/Oパネル	10
LANポートLED状態表	10
オーディオポートの配置	10
Realtekオーディオコンソール	11
コンポーネントの概要	13
CPUソケット	14
DIMMスロット	15
PCI_E1~4: PCIe拡張スロット	17
CPU_PWR1~2、ATX_PWR1: 電源コネクタ	19
M2_1~2: M.2スロット (Key M)	19
M.2 XPANDER-Z GEN 4の取り付け (オプション)	21
SATA1~6: SATA 6Gb/sコネクタ	23
VRAID1: CPUコネクタ上の仮想のRAID	23
JFP1、JFP2: フロントパネルコネクタ	24
JAUD1: フロントオーディオコネクタ	24
CPU_FAN1、PUMP_FAN1、SYS_FAN1~4: ファンコネクタ	25
JUSB1、JUSB3: USB 3.2 Gen1コネクタ	26
JUSB4~5: USB 2.0コネクタ	26
JUSB2: USB 3.2 Gen2 Type-Cコネクタ	27
JTBT1: Thunderbolt追加カードコネクタ	27
POWER1、RESET1: 電源ボタン、リセットボタン	28
JBAT1: クリアCMOS (BIOSリセット) ジャンパ	28
JCI1: ケース開放スイッチコネクタ	29
開放検知機能の使い方	29
JRGB1: RGB LEDコネクタ	30
JRAINBOW1~2: 追加のRGB LEDコネクタ	31
JCORSAIR1: CORSAIRコネクタ	32
オンボードLED	33
EZ Debug LED	33
XMP LED	33
OS、ドライバーおよびユーティリティのインストール	34
Windows® 10のインストール	34
ドライバーのインストール	34
ユーティリティのインストール	34

BIOSの設定	35
BIOSセットアップ画面の起動.....	35
BIOSのリセット	36
BIOSのアップデート方法.....	36
EZモード	37
アドバンスモード	39
OCメニュー	40

安全に関する注意事項

- 本パッケージ内のコンポーネントは静電放電(ESD)を受けやすいので、PCの組み立てを確実に成功させるために以下の注意事項を守ってください。
- コンポーネントがしっかりと全部接続され手いることを確認してください。確実に接続されていない場合、コンポーネントの認識不良や起動不良の原因となります。
- 繊細な部品に触れないよう、マザーボードのフチを持ってください。
- マザーボードを扱う際には、静電気破壊を防ぐために、静電放電 (ESD) リストストラップを着けることをお勧めします。ESDリストストラップが用意できない場合は、他の金属製のものに触れて静電気を逃してからマザーボードを扱ってください。
- 本品を取り付けない時は、静電気対策が施された箱か、または静電気防止パッド上で保管してください。
- コンピューターの電源を投入する前に、マザーボードのショートの原因となる、外れたネジや金属製の部品がマザーボード上またはPCケース内にはないか、よく確認して下さい。
- コンポーネントの破損やユーザーの怪我の原因となるおそれがあるため、組み立てが完了する前にPCを起動させないでください。
- PCの組立について不明な点がある場合は、販売店やメーカーのサポート窓口にご相談してください。
- PCパーツの取り付けおよび取り外しを行う前には、必ずPCの電源をオフに、コンセントから電源コードを抜いてください。
- 本ユーザーズガイドは大切に保存してください。
- 本マザーボードは湿気の少ない所で使用・保管してください。
- 電源ユニットをコンセントに接続する前に、電源ユニットに記載された電圧がコンセントの電圧に適合しているか確認してください。
- 電源コードは踏まれないように配線してください。電源コードの上に物を置かないでください。
- マザーボードに関するすべての注意と警告を遵守してください。
- 次のような場合は、販売店や代理店のサポート窓口にもマザーボードの点検を依頼してください。
 - PCに水をこぼした場合。
 - マザーボードが高い湿気にさらされた場合。
 - ユーザーズマニュアルに従って操作しても、マザーボードが正常に作動しない、または起動しない場合。
 - マザーボードが落ちて破損した場合。
 - マザーボードに目に見える破損がある場合。
- 本品を温度が60°C (140°F)より高い場所に置かないでください。マザーボードが破損することがあります。

仕様

CPU	LGA2066ソケットIntel® Core™ X-series 10000/ 9000/ 78xx (以上)プロセッサをサポート
チップセット	Intel® X299チップセット
メモリ	<ul style="list-style-type: none"> • DDR4メモリスロット x8、最大256GBまでをサポート <ul style="list-style-type: none"> ▪ DDR4 4200+(OC)/ 4000(OC)/ 3800 (OC)/ 3733(OC)/ 3600(OC)/ 3466(OC)/ 3400(OC)/ 3333(OC)/ 3300(OC)/ 3200(OC)/ 3000(OC)/ 2933/ 2666/ 2400/ 2133 MHzをサポート* • クワッドチャンネルメモリアーキテクチャ • Intel® Extreme Memory Profile (XMP) をサポート • Non-ECC UDIMM メモリをサポート • Un-buffered メモリをサポート <p>* 最新のメモリモジュール対応状況については、下記Webサイトをご参照ください。 www.msi.com</p>
拡張スロット	<ul style="list-style-type: none"> • PCIe 3.0 x16スロット x4 <ul style="list-style-type: none"> ▪ 48レーンに対応するCPUで x16/x8/x16/x8モードをサポート* ▪ 44レーンに対応するCPUで x16/x4/x16/x8モードをサポート* ▪ 28レーンに対応するCPUで x16/x4/x8/x0モードをサポート* <p>* 17ページからPCIe 3.0帯域幅一覧表をご参照ください。</p>
マルチGPU	<ul style="list-style-type: none"> • NVIDIA® SLI™ テクノロジをサポート • AMD® CrossFire™ テクノロジをサポート
LAN	<ul style="list-style-type: none"> • Intel I219-V Gigabit LANコントローラー x1* • Realtek RTL8125-CG 2.5G LANコントローラー x1 • Aquantia® AQC107 10-Gigabit LANカード x1 (X299 PRO 10G) <p>* I219 LANはG3 to S5 Wakeをサポートしません。</p>
ストレージ	<p>Intel® X299チップセット</p> <ul style="list-style-type: none"> • SATA 6Gb/sポート x6 * • M.2スロット x2 (Key M) <ul style="list-style-type: none"> ▪ 最大PCIe 3.0 x4とSATA 6Gb/s, 2242/ 2260/ 2280/ 22110ストレージデバイスをサポート** ▪ Intel® Optane™メモリアレイヤー*** <p>*SATA M.2 SSDをM2_1スロットに取り付ける場合に、SATA1ポートは無効になります。</p> <p>** M2_2デフォルト設定はCPUレーンです。但し、PCIe拡張カードがPCI_E2スロットに取り付けられた場合に、M2_2は自動的にPCHレーンに切り替えます。</p> <p>***M2_2がPCHを使用し、およびM.2 SATA SSDがM2_2スロットに取り付けられる場合に、SATA2コネクタは無効になります。</p> <p>*** PCHレーンに切り替えることで、M2_2はIntel® Optane™メモリをサポートします。</p>

前のページから続く

RAID	<p>Intel® X299チップセット</p> <ul style="list-style-type: none">• SATAストレージデバイスにて、RAID 0、RAID 1、RAID 5およびRAID 10をサポート• M.2 PCIeストレージデバイスにて、RAID 0とRAID 1をサポート
USB	<ul style="list-style-type: none">• ASMedia® ASM3242チップセット<ul style="list-style-type: none">▪ バックパネルにUSB 3.2 Gen2x2 (SuperSpeed USB 20 Gbps) Type-Cポート x1• ASMedia® ASM3142チップセット<ul style="list-style-type: none">▪ USB 3.2 Gen2 (SuperSpeed USB 10 Gbps) Type-Cポート x1、内部USBコネクタを経由で利用可能• Intel® X299チップセット<ul style="list-style-type: none">▪ USB 3.2 Gen1 (SuperSpeed USB)ポート x8 (バックパネルに4ポート、内部USBコネクタを経由で4ポート利用可能)▪ USB 2.0 (High-speed USB)ポート x8 (バックパネルに4ポート、内部USBコネクタを経由で4ポート利用可能)
オーディオ	<p>Realtek® ALC1220コーデック x1</p> <ul style="list-style-type: none">• 7.1チャンネルHDオーディオ• 光角型S/PDIF出力をサポート
バックパネルコネクタ	<ul style="list-style-type: none">• PS/2キーボード/ マウスコンボポート x1• クリアCMOSボタン x1• USB 2.0 Type-Aポート x4• USB 3.2 Gen1 Type-Aポート x4• 2.5G LAN (RJ45)ポート x1• 1G LAN (RJ45)ポート x1• USB 3.2 Gen2x2 Type-Cポート x1• OFCオーディオジャック x5• 光角型S/PDIF出力コネクタ x1

次のページに続く

前のページから続く

内部コネクタ	<ul style="list-style-type: none">• 24ピンATXメイン電源コネクタ x1• 8ピンATX 12V電源コネクタ x2• SATA 6Gb/sコネクタ x6• USB 2.0コネクタ x2 (4基の追加USB 2.0ポートをサポート)• USB 3.2 Gen1コネクタ x2 (4基の追加USB 3.2 Gen1ポートをサポート)• USB 3.2 Gen 2 Type-Cポート x1• 4ピンCPUファンコネクタ x1• 4ピンウォーターポンプコネクタ x1• 4ピンシステムファンコネクタ x4• フロントパネルオーディオコネクタ x1• システムパネルコネクタ x2• TPMモジュールコネクタ x1• ケース開放スイッチコネクタ x1• CPUコネクタ上の仮想のRAID x1• Thunderbolt追加カードコネクタ x1
LEDコネクタ	<ul style="list-style-type: none">• 4ピンRGB LEDコネクタ x1• 3ピンARGB LEDコネクタ x2• 3ピンCORSAIR LEDコネクタ x1
内部ボタン	<ul style="list-style-type: none">• 電源ボタン x1• リセットボタン x1
ジャンパ	<ul style="list-style-type: none">• クリアCMOSジャンパ x1
Debug LED	<ul style="list-style-type: none">• 4x EZ Debug LED
I/Oコントローラ	NUVOTON NCT6797コントローラチップ
ハードウェアモニター	<ul style="list-style-type: none">• CPU/システム温度の検知• CPU/システムファン回転速度の検知• CPU/システムファン回転速度のコントロール
寸法	<ul style="list-style-type: none">• ATXフォームファクタ• 12 in. x 9.6 in. (30.5 cm x 24.4 cm)
BIOSの機能	<ul style="list-style-type: none">• 128 Mbフラッシュ x1• UEFI AMI BIOS• ACPI 6.1, SMBIOS 3.0• 多言語対応

次のページに続く

前のページから続く

ソフトウェア	<ul style="list-style-type: none">• デバイスドライバー• DRAGON CENTER• CPU-Z MSI GAMING• Google Chrome™, Google Toolbar, Google Drive• Norton™ Internet Security Solution
Dragon Center機能	<ul style="list-style-type: none">• Mystic Light• Hardware Monitor• True Color• Live Update• Speed Up• Smart Tool• Super Charger  <p>詳細についてはhttp://download.msi.com/manual/mb/DRAGONCENTER2.pdfからご参照ください。</p>
MSI独自の機能	<ul style="list-style-type: none">• オーディオ<ul style="list-style-type: none">▪ Audio Boost 4• ネットワーク<ul style="list-style-type: none">▪ Dual LAN▪ 2.5G LAN▪ LAN Manager▪ 10G SUPER LAN (オプションの追加カード)• ストレージ<ul style="list-style-type: none">▪ Twin Turbo M.2▪ M.2 XPANDER-Z GEN4 (オプションの追加カード)• ファン<ul style="list-style-type: none">▪ ポンプファン▪ スマートファンコントロール

次のページに続く

前のページから続く

MSI独自の機能

- 冷却
 - 拡張ヒートシンクデザイン
 - ポンプファン
- LED
 - Mystic Light拡張 (RGB)
 - Mystic Light拡張 (RAINBOW)
 - Mystic Light拡張 (CORSAIR)
 - Mystic Light Sync
 - EZ DEBUG LED
- 保護
 - M.2 Shield Frozr
 - PCI-E Steel Armor
 - PCI-E Steel Slot
- パフォーマンス
 - マルチGPU - SLIテクノロジー
 - マルチGPU-CrossFireテクノロジー
 - DDR4 Boost
 - Core Boost
 - Type A+C付きのUSB
 - Lightning USB
 - Lightning USB 20G
 - デュアルCPU電源
- ゲーマー / ユーザー体験
 - DRAGON CENTER
 - SPEED UP
 - Total Fan Control
 - Live Update
- BIOS
 - Click BIOS 5

JCORSAIR1コネクターの仕様

対応のCORSAIR RGB製品	最大のコネクター
Lighting Node PRO LEDストリップ	20* * 20%輝度の場合。
HD120 RGBファン	6
SP120 RGBファン	6
LL120 RGBファン	6

パッケージの内容

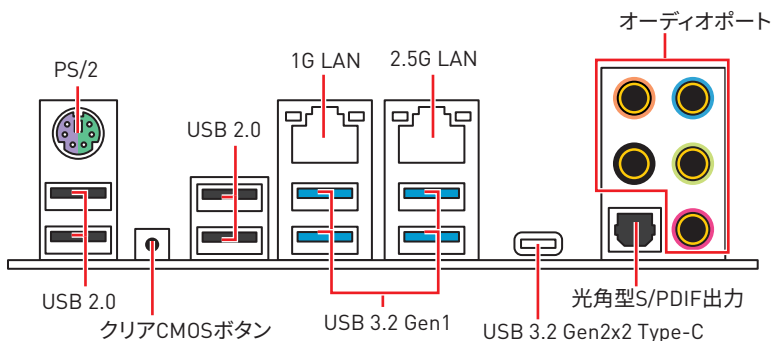
パッケージにすべての添付品が含まれていることをご確認ください。

マザーボード 本体		X299 PRO	X299 PRO 10G
ドキュメンテーション	ユーザーズマニュアル	1	1
	ケーススタンドオフ通知	1	1
	クイック取り付けガイド	1	1
アプリケーション	ドライバーDVD	1	1
ケーブル	SATA 6Gケーブル	2	2
	LED JRGB Yケーブル	1	1
	LED JCORSAIRケーブル	1	1
	LED JRAINBOWケーブル	1	1
拡張カード	M.2 XPANDER-Z GEN4	—	1
	10G LANカード	—	1
付属品	ケースのバッジ	1	1
	SATAケーブルステッカー	1	1
	製品登録カード	1	1
	IOシールド	1	1
	M.2ねじ	2	2



注意
欠品または破損がある場合は、直ちにご購入された販売店へ連絡して下さい。

リアI/Oパネル



- **クリアCMOSボタン** - このボタンの使用前には、必ずPCの主電源をオフにしてください。クリアCMOSボタンを5-10秒押ししたままにすると、BIOSがリセットされ、工場出荷時の設定に戻ります。

LANポートLED状態表

リンク/ アクティビティLED		状態	スピードLED	
状態	解説		1G LAN	2.5G LAN
Off	リンクしていません	Off	10 Mbps	10 Mbps
On	リンクしています	緑色	100 Mbps	100 M/ 1G bps
点滅	データ通信中です	オレンジ	1 Gbps	2.5 Gbps

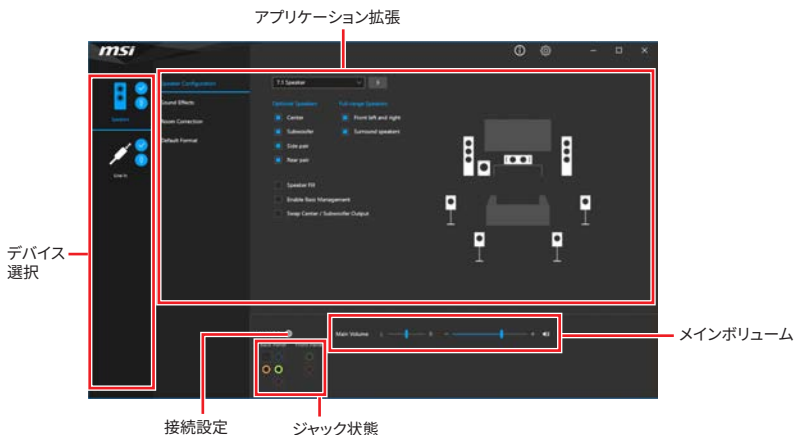
オーディオポートの配置

オーディオポート	チャンネル			
	2	4	6	8
センター/ サブウーファー出力			●	●
リアスピーカー出力		●	●	●
ライン入力/ サイドスピーカー出力				●
ライン出力/ フロントスピーカー出力	●	●	●	●
マイク入力				

●: 接続、空白: 非接続

Realtekオーディオコンソール

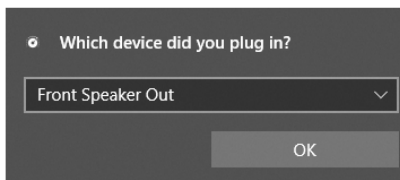
Realtekオーディオコンソールをインストールした後、優れた音声体験のために音声設定を変更します。



- **デバイス選択** - オーディオ出力ソースを選択し、関連のオプションを変更することができます。チェックサインはそのデバイスがデフォルトであることを示します。
- **アプリケーション拡張** - 多数のオプションは、出力デバイスと入力デバイスの両方に期待されるサウンドエフェクトの完全なガイダンスを提供します。
- **メインボリューム** - バーを調整することでフロントまたはリアパネルに接続されたスピーカーの左右のバランスやボリュームをコントロールします。
- **ジャック状態** - PCに現在接続されている全てのレンダーとキャプチャーデバイスを示します。
- **接続設定** - 接続設定を行います。

オートポップアップダイアログ

オーディオジャックにデバイスが挿し込まれると、接続されたデバイスがどれであるか尋ねるダイアログウィンドウがポップアップします。



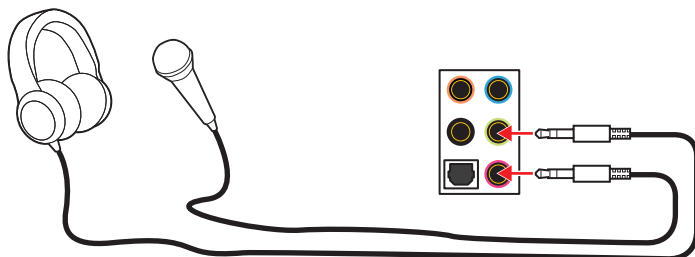
それぞれのジャックとデフォルト設定の対応は、次頁で示す通りです。



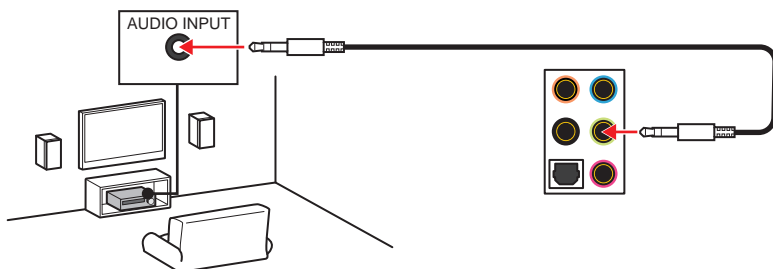
注意

上図は参照用だけです。ご購入した製品はモデルと異なる場合がありますので、ご注意ください。

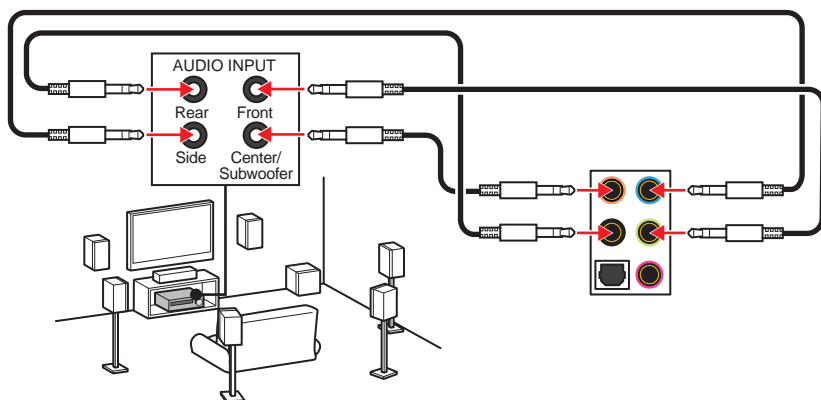
ヘッドフォンとマイクの接続方法



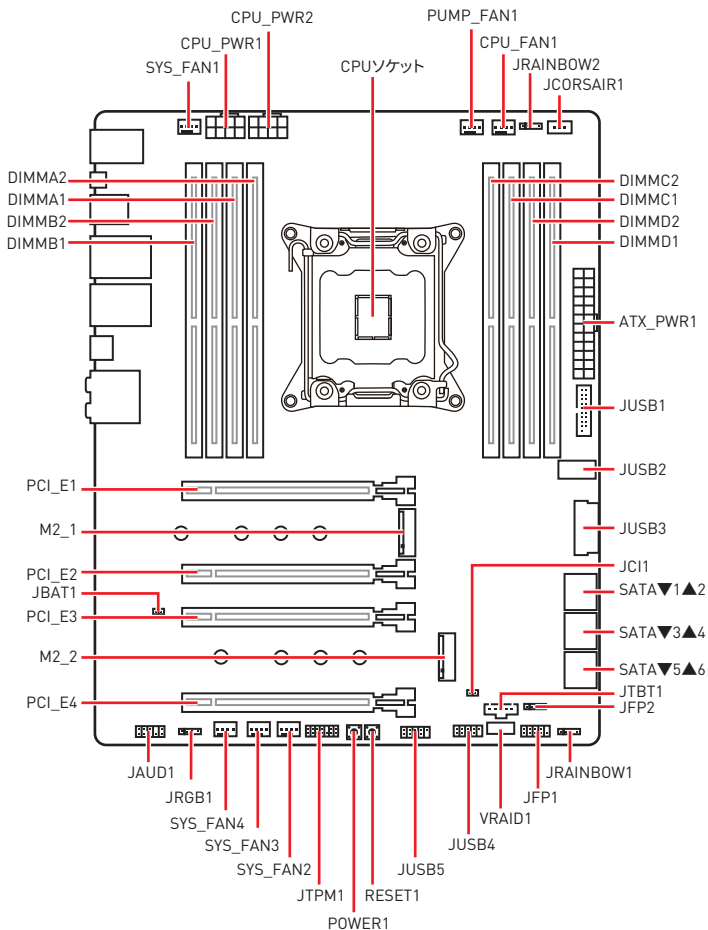
ステレオスピーカーの接続方法



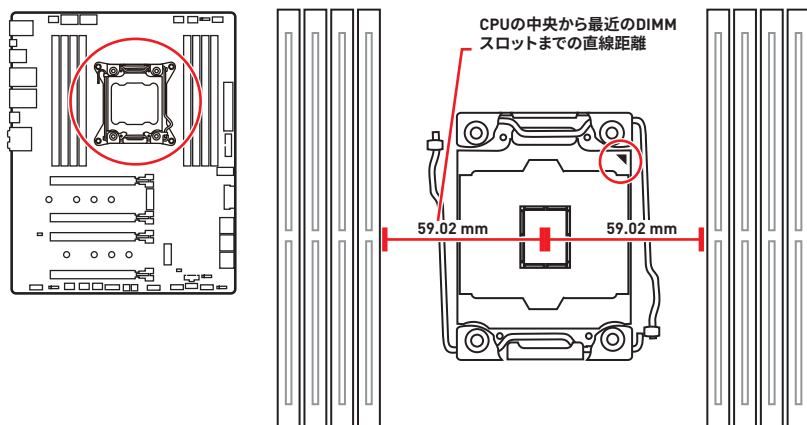
7.1チャンネルスピーカーの接続方法



コンポーネントの概要

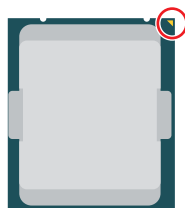


CPUソケット



LGA 2066 CPUについて

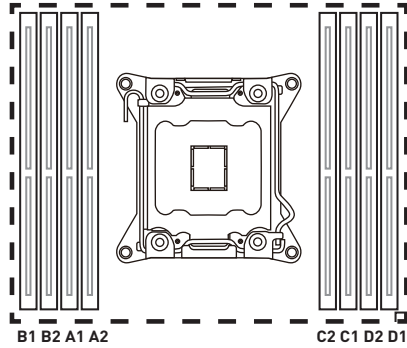
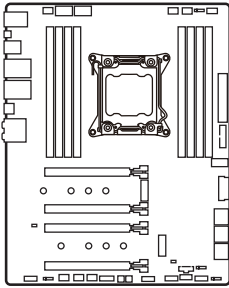
LGA2066 CPUには切り欠きが4個、黄色い三角印一個があります。黄色い三角印の方向をピン1の方向に向けて装着します。



注意

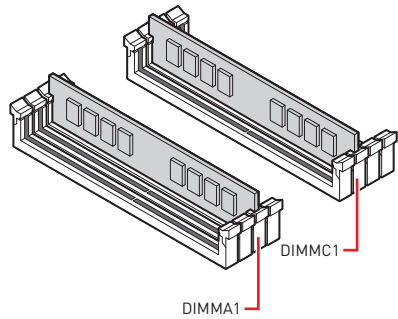
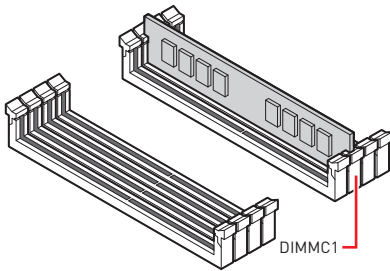
- CPUの脱着は、必ず電源をオフにし、コンセントから電源ケーブルを抜いてから行ってください。
- CPUを取り付けた後、CPUソケットに取り付けられていたCPUソケットカバーは絶対に捨てないでください。本製品の修理を依頼される際に、CPUソケットカバーがCPUソケットに取り付けられていない場合は修理をお断りすることがございます。
- CPUを取り付ける際は、必ずCPUクーラーも取り付けてください。CPUクーラーは過熱を 방지、システムの安定を保つために必要です。
- システムを起動する前に、CPUクーラーがCPUとしっかりと密着していることを確認してください。
- CPUの過熱はCPU自身やマザーボードに深刻なダメージを与えるおそれがあります。システム組み立て後初回起動時に必ずCPUファンが正常に動作していることを確認してください。CPUクーラーをマザーボードへ装着する際、CPUとの接触面に適切な量の熱伝導性ペーストを塗布するか、または熱伝導性シートを挟んでください。
- CPUを外した状態でマザーボードを保管する場合は、必ずCPUソケットカバーを装着し、ソケットのピンを保護してください。
- CPUとは別にCPUクーラーを購入された場合は、CPUクーラーに添付されている文書を参照して取り付け方法の詳細を確認して下さい。
- このマザーボードはオーバークロックをサポートしています。オーバークロックを試みる前に、マザーボード以外のすべてのパーツがオーバークロックに耐えうるか確認してください。製品の仕様を超えるいかなる試みも推奨しません。製品の仕様を超えた不適切な取り扱いによって生じた損害やリスクをMSIは保証しません。

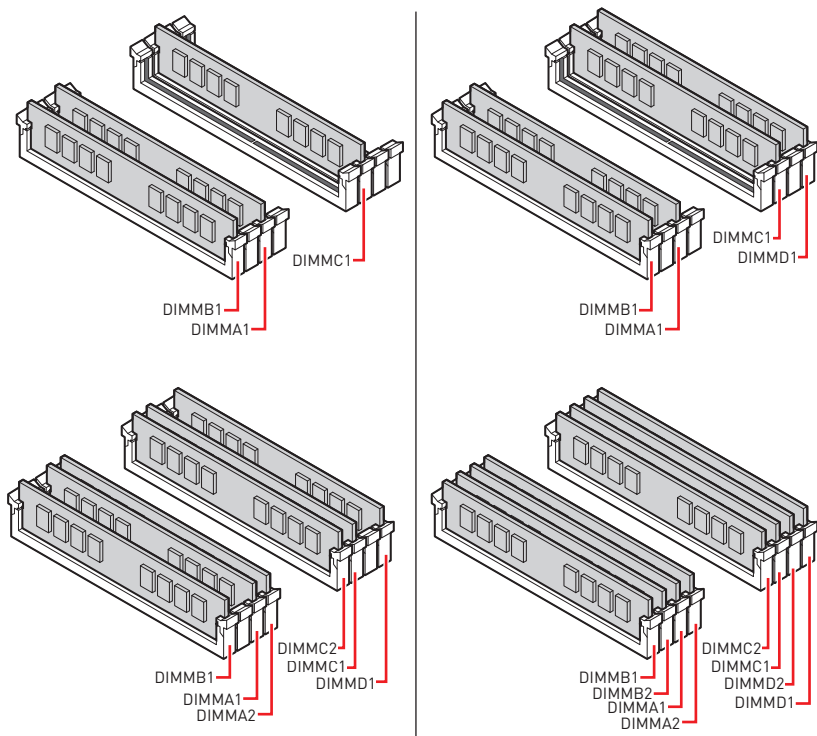
DIMMスロット



メモリモジュールの推奨取付順序

	B1	B2	A1	A2	CPUソケット	C2	C1	D2	D1
1 DIMM					Intel® Core™ X-series 10000/ 9000/ 78xx (以上) プロセッサ		✓		
2 DIMM			✓				✓		
3 DIMM	✓		✓				✓		
4 DIMM	✓		✓				✓		✓
5 DIMM	✓		✓				✓	✓	✓
6 DIMM	✓		✓	✓			✓	✓	✓
7 DIMM	✓	✓	✓	✓			✓	✓	✓
8 DIMM	✓	✓	✓	✓			✓	✓	✓



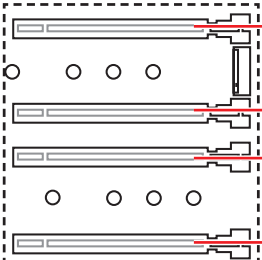


注意

- メモリスロットは**DIMMC1**を最優先に使用して下さい。
- デュアル/トリプル/クワッドチャンネルモードでのシステムの安定性を確保するためには、同一メーカーの同一メモリモジュールを装着する必要があります。そして、各チャンネルにおいては、必ず奇数番目のDIMMスロットを優先的に使用して下さい。
- メモリの動作周波数はSPDに依存するため、オーバークロックの際に公称値より低い周波数で動作するメモリがあります。メモリを公称値かそれ以上の周波数で動作させたい場合は、BIOSメニューの**Memory Try It !**の項目で動作周波数を設定してください。
- 全てのDIMMスロットを使用する場合やオーバークロックをする場合はより効率的なメモリ冷却システムの使用をお薦めします。
- オーバークロック時の、メモリの安定性と互換性は取り付けられたCPUとデバイスに依存します。
- 互換性があるのメモリについての詳細はwww.msi.comからご参照ください。

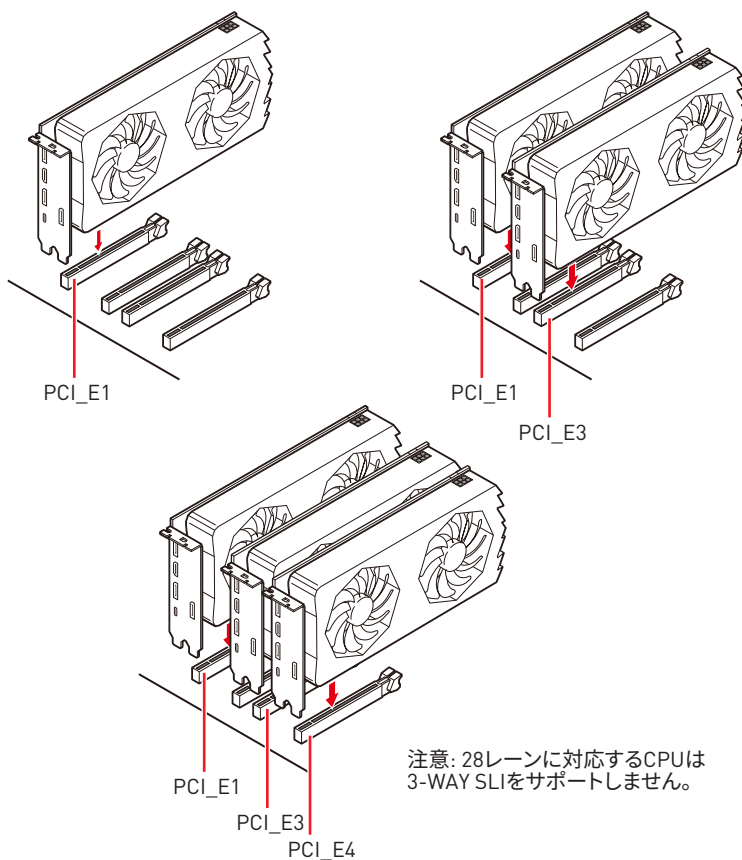
PCI_E1~4: PCIe拡張スロット

CPUのPCIeレーンについては下表を参照してください。



CPU	48レーンの対応するCPU	44レーンの対応するCPU	28レーンの対応するCPU
PCI_E1	PCIe x16	PCIe x16	PCIe x16
PCI_E2	PCIe x8	PCIe x4	PCIe x4
PCI_E3	PCIe x16	PCIe x16	PCIe x8
PCI_E4	PCIe x8	PCIe x8	無効

マルチグラフィックスカードの推奨取付順序



注意

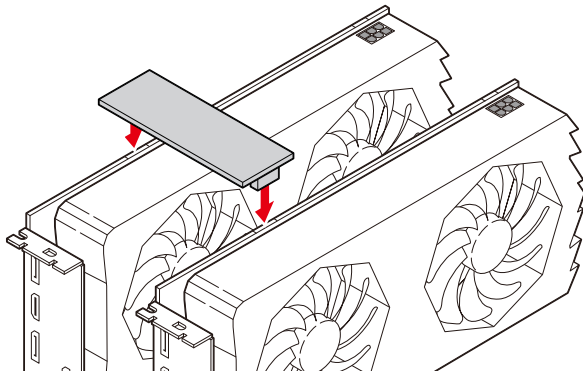
- 大型且つ重いグラフィックスカードをインストールすると、スロットの変形を防止するために、**MSI Gaming Series Graphics Card Bolster**のようなツールを使用することが必要です。
- 一枚のPCIe x16拡張カードを最適な性能で動作させたい場合は、**PCI_E1**スロットの使用をお勧めします。
- 拡張カードの着脱は、必ず電源をオフにし、コンセントから電源ケーブルを抜いてから行ってください。ハードウェアまたはソフトウェアにどのような変更が必要であるかは、拡張カードのドキュメントでご確認ください。

SLIグラフィックスカードの取り付け

SLI構成時の電力供給については、グラフィックスカードのユーザーズガイドを参照して、システムが必要な条件を全て満たしている事を確認してください。

SLIグラフィックスカードの装着:

1. PCの電源をオフにして、コンセントから電源コードを抜き、2枚のグラフィックスカードを**PCI_E1**と**PCI_E3**スロットに挿入してください。
2. **SLIブリッジコネクタ**で2枚のカードを接続します。

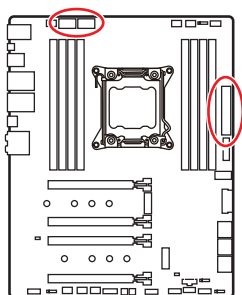


3. グラフィックスカードの全てのPCIe補助電源コネクタに電源ケーブルを接続します。
4. 電源コードを再元通りに接続してPCの電源を投入します。グラフィックスカードに付属のドライバーとソフトウェアをインストールします。
5. Windowsデスクトップを右クリックし、メニューから**NVIDIAコントロールパネル**を選択します。左側の「タスクの選択...」内の**SLI、Surround、PhysXの設定**を選択し、SLI設定メニューで「**3Dパフォーマンスを最大化する**」を選択してから、**適用**をクリックします。



CPU_PWR1~2、ATX_PWR1: 電源コネクター

これらのコネクターにはATX電源を接続します。



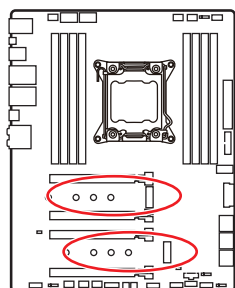
1	Ground	5	+12V
2	Ground	6	+12V
3	Ground	7	+12V
4	Ground	8	+12V

1	+3.3V	13	+3.3V
2	+3.3V	14	-12V
3	Ground	15	Ground
4	+5V	16	PS-ON#
5	Ground	17	Ground
6	+5V	18	Ground
7	Ground	19	Ground
8	PWR OK	20	Res
9	5VSB	21	+5V
10	+12V	22	+5V
11	+12V	23	+5V
12	+3.3V	24	Ground

注意

マザーボードの安定した動作を確実にするために、全ての電源ケーブルが適切なATX電源ユニットにしっかりと接続されていることを確認して下さい。

M2_1~2: M.2スロット (Key M)



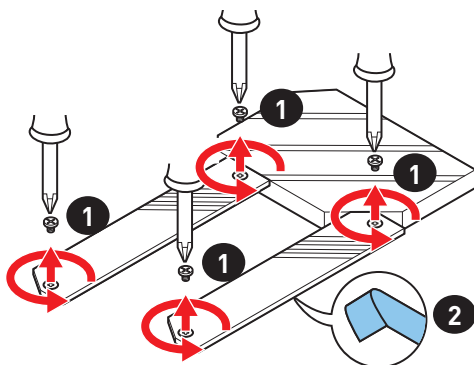
ビデオデモンストレーション

M.2モジュールを取り付ける方法をビデオで確認できます。

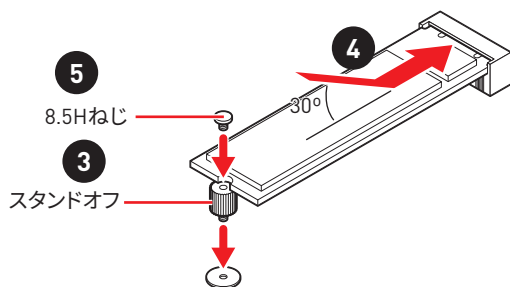
<http://youtu.be/JCTFABytrYA>

M.2モジュールの取り付け

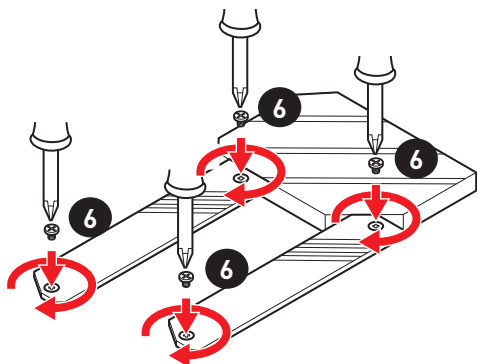
1. M.2 SHIELD FROZRヒートシンクのねじを緩めます。
2. M.2 SHIELD FROZRヒートシンクを持ち上げ、熱パッドから保護膜を取り外します。



3. 必要の場合に、M.2 SSDの長さによってスタンドオフの位置を移動します。
4. 30°の角度でM.2 SSDをM.2スロットに挿入します。
5. 供給のM.2 8.5HねじでM.2 SSDを固定します。



6. M.2 SHIELD FROZRヒートシンクをヒートシンクスタンドオフに固定します。

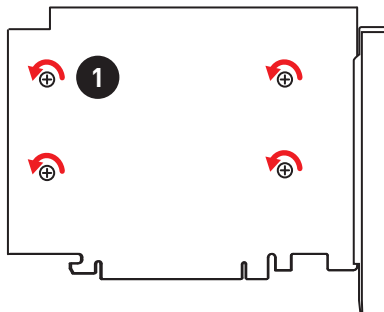


M.2 XPANDER-Z GEN 4の取り付け (オプション)

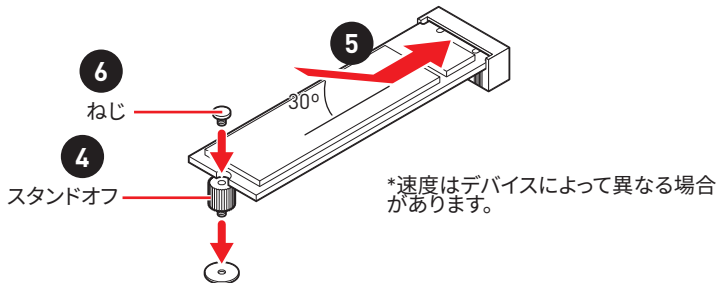
M.2 XPANDER-Z GEN 4カードは四つのM.2 Key-Mスロットを搭載します。

M.2 XPANDER-Z GEN 4カードを取り付ける場合:

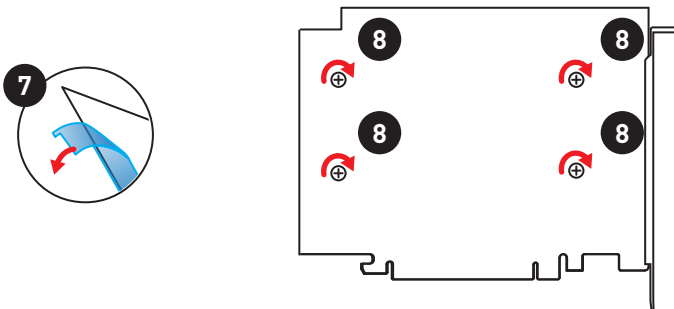
1. M.2 XPANDER-Z GEN 4の底面に四つのヒートシンクねじを緩め、ヒートシンクを取り外します。



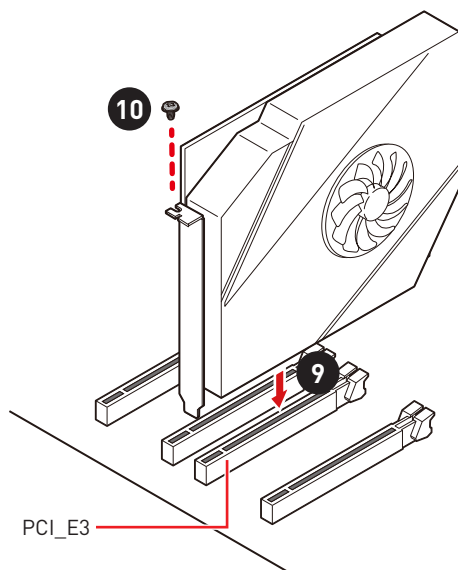
2. M.2スタンドオフからねじを緩めます。
3. M.2スタンドオフを緩めます。
4. M.2スタンドオフをM.2 SSDにあ合った適切な位置に固定します。
5. 30°の角度でM.2デバイスをM.2スロットに挿入します。
6. M.2ねじでM.2デバイスを固定します。



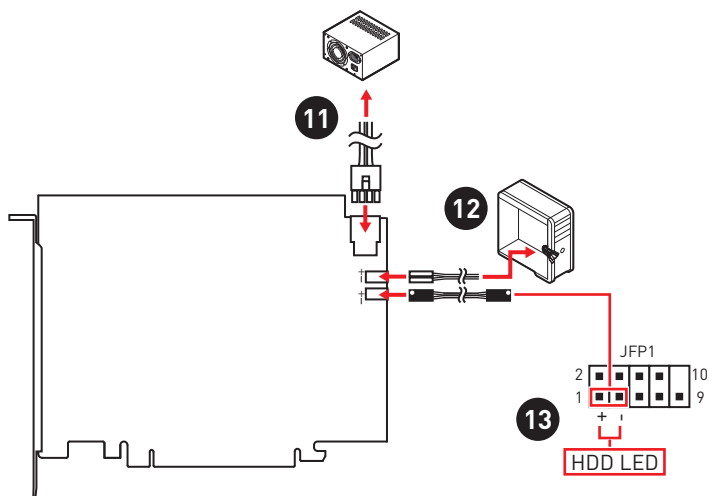
7. ヒートシンクの熱パッドから保護膜を取り外します。
8. M.2 XPANDER-AEROの底面に四つのヒートシンクねじを締め、ヒートシンクを再インストールします。



9. M.2 XPANDER-Z GEN 4カードをPCI_E3スロットに挿入します。
10. ねじでM.2 XPANDER-Z GEN 4カードを固定します。

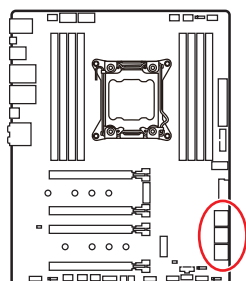


11. PCIE_PWR1コネクタを電源に接続します。
12. ケースのHDD LEDケーブルをJCASEコネクタに接続します。
13. 搭載のHDD LEDケーブルでJMBコネクタとJFP1のHDD LEDピン (ピン 1 & ピン3)を接続します。



SATA1~6: SATA 6Gb/sコネクタ

これらのコネクタは SATA 6Gb/s インターフェースポートです。一つのコネクタにつき、一つの SATA デバイスを接続できます。

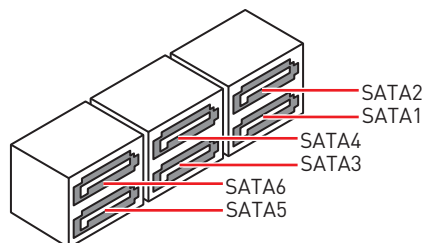


PCI_E2、M2_2およびSATA2の組み合わせ表

スロット	組み合わせ			
PCI_E2	装着した (CPUレーン)	装着した (CPUレーン)	空き	空き
M2_2	PCIe SSD (PCHレーン)	SATA SSD (PCHレーン)	SATA SSD (PCHレーン)	PCIe SSD (CPUレーン)
SATA2	有効	無効	無効	有効

M2_1とSATA1の組み合わせ表

スロット	組み合わせ	
M2_1	PCIe SSD (PCHレーン)	SATA SSD (PCHレーン)
SATA1	有効	無効

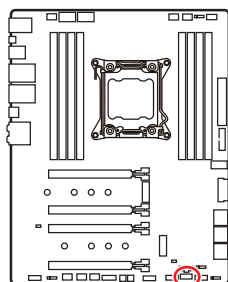


⚠ 注意

- SATAケーブルは90度以下の角度に折り曲げないでください。データ損失を起す恐れがあります。
- SATAケーブルは両端に同一のプラグを備えています。然し、スペースの確保のためにマザーボードにはストレートタイプのコネクタを接続されることをお勧めします。

VRAID1: CPUコネクタ上の仮想のRAID

このコネクタはVROC (CPU上の仮想RAID)キーモジュールを接続します。Intel® RSTe (インテル® ラピッド・ストレージ・テクノロジーエンタープライズ)ドライバーでVROC機能を有効にしてください。



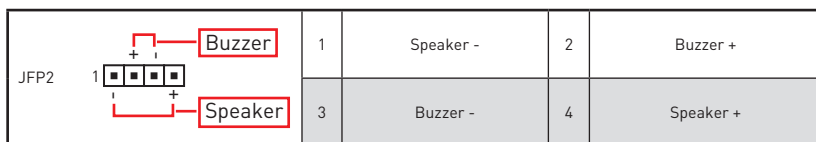
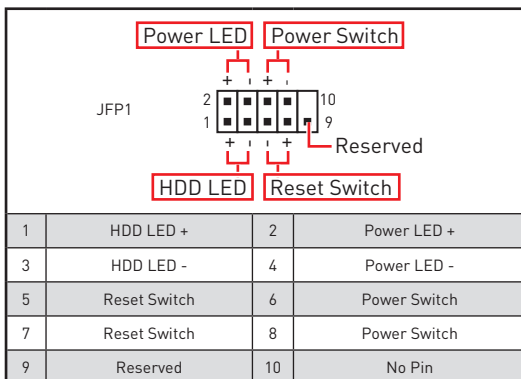
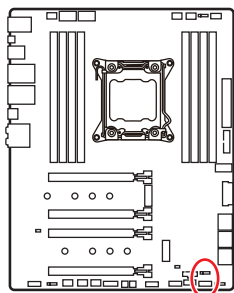
1			
1	GND	2	VCC3
3	GND	4	SATA_RAID_KEY

⚠ 注意

VROCキーモジュールは本製品に添付されていません。別途ご購入ください。

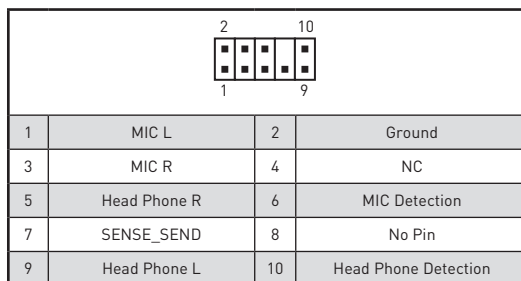
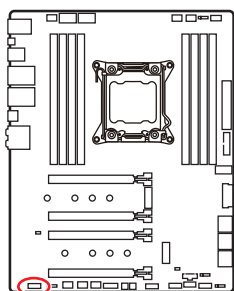
JFP1、JFP2: フロントパネルコネクタ

これらのコネクタにはフロントパネルのスイッチとLEDを接続します。



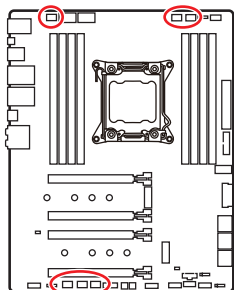
JAUD1: フロントオーディオコネクタ

このコネクタにはフロントパネルのオーディオジャックを接続します。



CPU_FAN1、PUMP_FAN1、SYS_FAN1~4: ファンコネクター

ファンコネクターはPWM (パルス幅変調)モードとDCモードに分類されます。PWMモードファンコネクターには常時12Vが出力されており、スピードコントロール信号によってファンスピードを調整します。DCモードファンコネクターは電圧出力を変えることでファンスピードをコントロールします。本製品はPWMとDCモードを自動的に検知できます。下記の説明に従って手動でファンコネクターをPWMまたはDCモードに調整できます。



CPU_FAN1/ PUMP_FAN1/ SYS_FAN1~4

ファンモードの切り替えとファンスピードの調整

BIOS > HARDWARE MONITORで、PWMモードとDCモードの間に切り替えることができ、ファンスピードを調整します。

PWM/DC モードを選択します。



ファンスピードの傾斜ポイントはCPUの温度との関連のファンスピードを調整します。



注意

PWM/ DCモードを切り替えた後、ファンが正しく動作していることを確認してください。

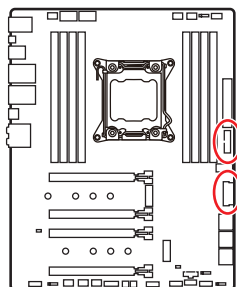
ファンコネクターのピンの定義

PWMモードのピンの定義			
1	Ground	2	+12V
3	Sense	4	Speed Control Signal

DCモードのピンの定義			
1	Ground	2	Voltage Control
3	Sense	4	NC

JUSB1、JUSB3: USB 3.2 Gen1コネクター

これらのコネクターにはフロントパネルのUSB 3.2 Gen1ポートを接続します。



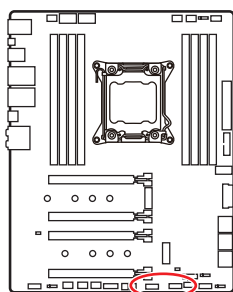
1	Power	11	USB2.0+
2	USB3_RX_DN	12	USB2.0-
3	USB3_RX_DP	13	Ground
4	Ground	14	USB3_TX_C_DP
5	USB3_TX_C_DN	15	USB3_TX_C_DN
6	USB3_TX_C_DP	16	Ground
7	Ground	17	USB3_RX_DP
8	USB2.0-	18	USB3_RX_DN
9	USB2.0+	19	Power
10	NC	20	No Pin



注意

電源とグランドピンは必ず接続してください。正しく接続されていない場合、機器が損傷するおそれがあります。

JUSB4~5: USB 2.0コネクター



1	VCC	2	VCC
3	USB0-	4	USB1-
5	USB0+	6	USB1+
7	Ground	8	Ground
9	No Pin	10	NC

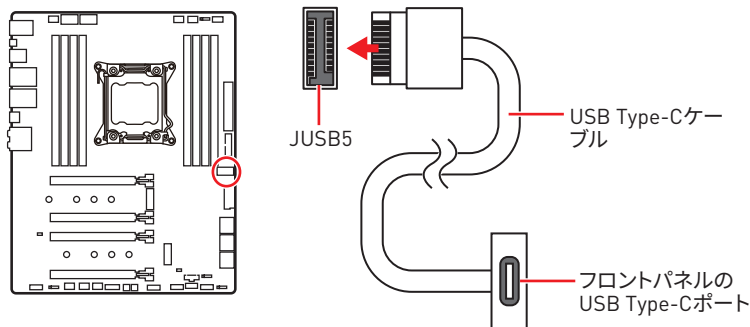


注意

- VCCピンとグランドピンは必ず接続してください。正しく接続されていない場合、機器が損傷するおそれがあります。
- これらのUSBポートでiPad、iPhoneとiPodを再充電するには、MSI DRAGON CENTERユーティリティをインストールしてください。

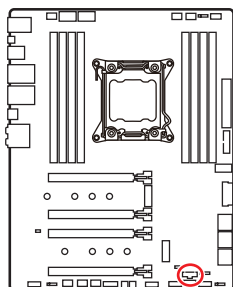
JUSB2: USB 3.2 Gen2 Type-Cコネクタ

これらのコネクタにはフロントパネルのUSB 3.2 Gen2 Type-Cコネクタを接続します。このコネクタは確実なデザインを持っています。ケーブルを接続すると、対応方向で接続することを確認してください。



JTBT1: Thunderbolt追加カードコネクタ

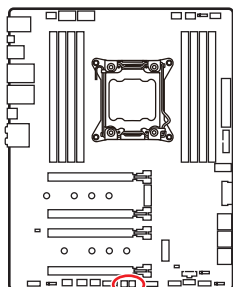
このコネクタは追加のThunderbolt I/Oカードを接続します。



1			
1	FORCE_PWR	2	SCI_EVENT
3	SLP_S3#	4	SLP_S5#
5	GND		

POWER1、RESET1: 電源ボタン、リセットボタン

電源/リセットボタンでPCをオン/リセットできます。



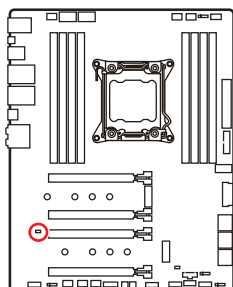
電源ボタン



リセットボタン

JBAT1: クリアCMOS (BIOSリセット) ジャンパ

本製品はシステムの設定情報を保持するCMOSメモリを搭載しており、マザーボード上のボタン型電池から電力が供給されます。システムの設定をクリアしたい場合は、CMOSメモリをクリアするためにジャンパピンにジャンパブロックを取り付けてください。



データを保持
(デフォルト)



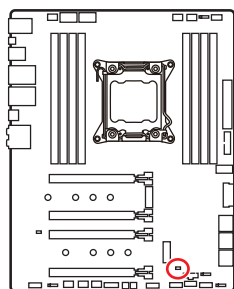
CMOSをクリア/
BIOSをリセット

BIOSをデフォルト値にリセットする

1. PCの電源をオフにし、コンセントから電源コードを抜いて下さい。
2. ジャンパブロックでJBAT1を5-10秒ぐらいショットします。
3. JBAT1からジャンパブロックを取り外します。
4. 電源コードをコンセントに元通りに接続し、電源を投入します。

JCI1: ケース開放スイッチコネクター

このコネクターにはケース開放スイッチケーブルを接続します。



正常
(デフォルト)



ケース開放イベントト
リガー有効

開放検知機能の使い方

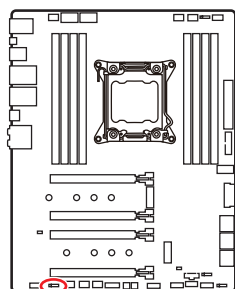
1. JCI1コネクターをケース開放スイッチ/センサーに接続します。
2. ケースのカバーを閉じます。
3. **BIOS > SETTINGS > Security > Chassis Intrusion Configuration**に入ります。
4. **Chassis Intrusion**を**Enabled**に設定します。
5. **F10**を押すと、設定を保存して終了するかメッセージが出ますので、**Enter**キーを押して**Yes**を選択します。
6. ケースが開けられるとシステムに開放の情報が記録され、次回のシステム起動時に警告メッセージが表示されます。

ケース開放警告のリセット

1. **BIOS > SETTINGS > Security > Chassis Intrusion Configuration**に入ります。
2. **Chassis Intrusion**を**Reset**に設定します。
3. **F10**を押すと、設定を保存して終了するかメッセージが出ますので、**Enter**キーを押して**Yes**を選択します。

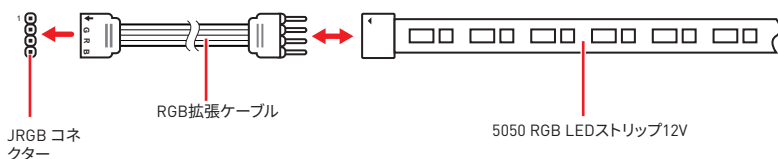
JRGB1: RGB LEDコネクタ

JRGBコネクタは5050 RGB LEDストリップ12Vを接続します。

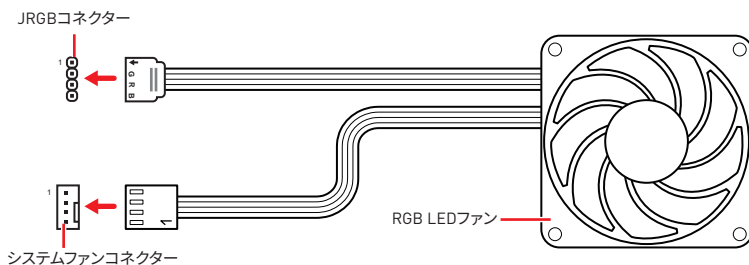


1			
1	+12V	2	G
3	R	4	B

RGB LEDストリップコネクタ



RGB LEDファンコネクタ

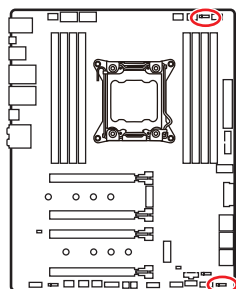


注意

- JRGBコネクタは長さ2m以下のものを御使用ください。定格最大出力は3A (12V) で、5050 RGB LEDストリップ(12V/G/R/B)をサポートします。
- RGB LEDストリップの着脱は、必ず電源ユニットのスイッチをオフにして電源コードを抜いた状態で実施してください。
- MSIのソフトウェアで拡張 LEDストリップをコントロールします。

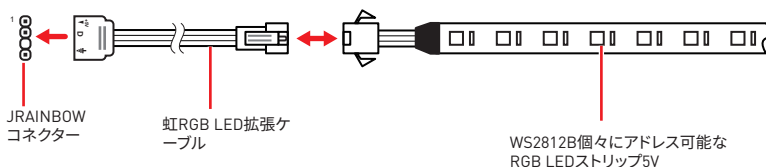
JRAINBOW1~2: 追加のRGB LEDコネクタ

JRAINBOWコネクタは WS2812B個々にアドレス可能なRGB LEDストリップ5Vを接続することができます。

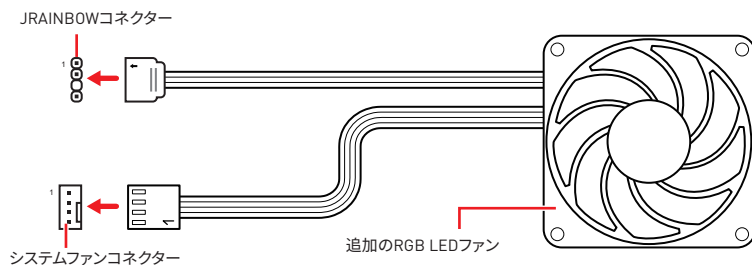


1			
1	+5V	2	Data
3	No Pin	4	Ground

追加のRGB LEDストリップコネクタ



追加のRGB LEDファンの接続



警告

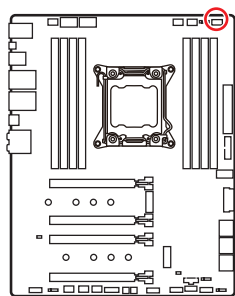
間違ったタイプのLEDストリップを接続しないでください。JRGBコネクタとJRAINBOWコネクタは異なる電圧を供給し、5V LEDストリップをJRGBコネクタに接続すると、LEDストリップが損傷します。

注意

- JRAINBOWコネクタの定格最大出力は3A (5V)で、75 LED WS2812B個々にアドレス可能なRGB LEDストリップ (5V/Data/Ground)をサポートします。20%の輝度の場合には、コネクタは最大200 LEDをサポートします。
- RGB LEDストリップの着脱は、必ず電源ユニットのスイッチをオフにして電源コードを抜いた状態で実施してください。
- MSIのソフトウェアで拡張LEDストリップをコントロールします。

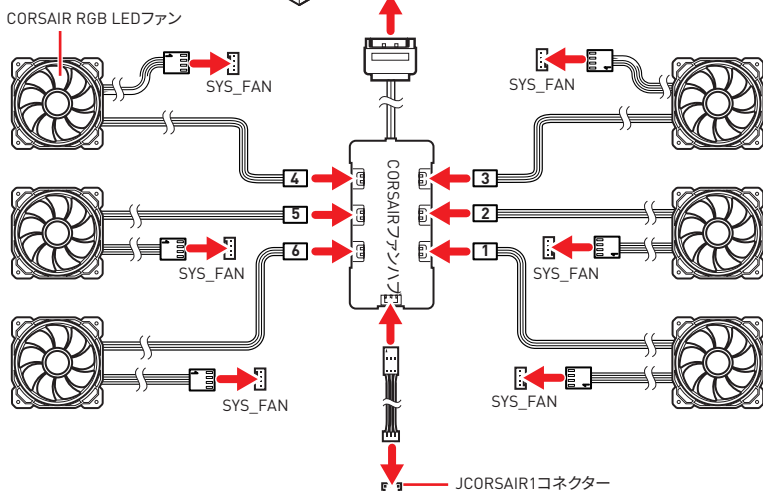
JCORSAIR1: CORSAIRコネクター

JCORSAIR1コネクターはCORSAIRファンハブでCORSAIR個々にアドレス可能なLighting PRO RGB LEDストリップ5VまたはCORSAIR RGBファンを接続することができます。全ての項目が正しく接続されると、MSIのソフトウェアでCORSAIR RGB LEDストリップとファンをコントロールできます。

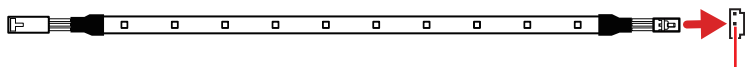


1	+5V	2	Data
3	Ground		

CORSAIR RGB LEDファンコネクター



CORSAIR Lighting Node PROの接続



JCORSAIR1コネクター



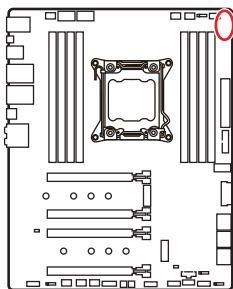
注意

- ファンは1から始まり、1 > 2 > 3 > 4 > 5 > 6の順に直列に接続する必要があります。直列に接続されないファンは通信を断絶し、RGB LEDライティングの機能が動作しない恐れがあります。
- RGB LEDファンの数またはサポートのRGB LED Lighting PROストリップはモデルによって異なる場合があります。マザーボードの仕様をご参照ください。
- CORSAIR RGB LEDファンとCORSAIR Lighting Node PROストリップが同時に使用されません。

オンボードLED

EZ Debug LED

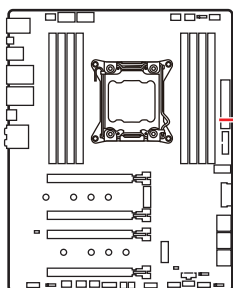
これらのLEDはマザーボードのデバッグ状態を表示します。



- CPU** - CPUが検出されないか、または認識に失敗したことを示します。
- DRAM** - DRAMが検出されないか、または認識に失敗したことを示します。
- VGA** - GPUが検出されないか、または認識に失敗したことを示します。
- BOOT** - ブートデバイスが検出されないか、または認識に失敗したことを示します。

XMP LED

このLEDはXMP (Extreme Memory Profile)モードが有効にすることを表示します。



XMP LED

OS、ドライバーおよびユーティリティのインストール

www.msi.comから最新のユーティリティとドライバーをダウンロードしてアップデートしてください。

Windows® 10のインストール

1. PCの電源をオンにします。
2. Windows® 10のインストールメディアを光学ドライブに挿入します。
3. PCケースの**Restart**ボタンを押します。
4. POST (Power-On Self Test)中に**F11**キーを押し、ブートメニューに入ります。
5. ブートメニューから光学ドライブを選択します。
6. **Press any key to boot from CD or DVD...** というメッセージが表示されたら、任意のキーを押します。(スペースキーやEnterキーが無難です。)
7. 画面に表示される説明に従ってWindows® 10をインストールします。

ドライバーのインストール

1. Windows® 10を起動させます。
2. MSI®ドライバーディスクを光学ドライブに挿入します。
3. 「**Select to choose what happens with this disc**」ポップアップ通知をクリックし、それから**Run DVDSetup.exe** を選択してインストーラーを開きます。Windowsコントロールパネルからの自動再生機能をオフにすると、ユーザーはまだMSIドライバーディスクのルートパスから**DVDSetup.exe**を手動で実行します。
4. インストーラーが自動的に起動し、必要なドライバーを全部リストアップします。
5. **Install**ボタンをクリックします。
6. ソフトウェアのインストールが始まります。完了した後にシステムの再起動を促されません。
7. **OK** ボタンを押して、インストールを完了させます。
8. PCを再起動させます。

ユーティリティのインストール

ユーティリティをインストールする前に、ドライバーのインストールが完了している必要があります。

1. インストーラーが自動的に起動します。
2. **Utilities**タブをクリックします。
3. インストールしたいユーティリティを選択します。
4. **Install** ボタンをクリックします。
5. ユーティリティのインストールが始まります。完了した後にシステムの再起動を促されます。
6. **OK** ボタンを押して、インストールを完了させます。
7. PCを再起動させます。

BIOSの設定

BIOSのデフォルト設定は、通常の使用においてシステムの安定性のために最適な性能を提供します。ユーザーがBIOSに精通していない場合は、起こり得るシステムへのダメージや起動の失敗を防ぐために、常にデフォルト設定のままにすべきです。



注意

- BIOSは性能の向上のために、継続的に変更と修正が行われています。最新のBIOSと本書の内容に齟齬が発生してしまう場合があります。あらかじめご承知おきください。BIOSの設定項目の詳細はHELP情報パネルを参照してください。
- 本章の図はあくまでも一例です。お買い上げの製品と異なる場合がありますので、ご承知おきください。

BIOS セットアップ画面の起動

下記の何れかの方法で BIOS セットアップ画面に入ることができます。

- 起動中に、「Press DEL key to enter Setup Menu, F11 to enter Boot Menu」というメッセージが表示されている間に、< Delete >キーを押してください。
- Windows に **MSI DRAGON CENTER** をインストールして使用します。**GO2BIOS** ボタンをクリックしてOKを選択します。システムが再起動し、BIOSセットアップ画面が直ちに表示されます。

機能キー

F1: ヘルプを参照する

F2: Favorites項目を追加/ 削除する

F3: Favorites メニューに入る

F4: CPU仕様メニューに入る

F5: Memory-Zメニューに入る

F6: Optimized defaultsをロードする

F7: アドバンスモードとEZモードの間に切り替える

F8: OCプロファイルをロードする

F9: OCプロファイルをセーブする

F10: 設定を保存して再起動させる*

F12: スクリーンショットが撮られ、USBメモリに保存されます (FAT/ FAT32フォーマットのみ)

Ctrl+F: 検索ページに入る

* <F10>キーを押すと確認ウィンドウが表示され、修正情報が表示されます。**Yes**または**No**を選択して確認してください。

BIOSのリセット

特定の問題を解決するために、BIOSをセファルト設定に戻す必要があります。BIOSのリセットにはいくつかの方法があります。

- BIOSセットアップ画面で<F6>キーを押してOptimized defaultsをロードする。
- マザーボード上の**クリアCMOS** ジャンパをショートする。



注意

CMOSデータをクリアする前に、必ずPCの電源がオフにすることを確認してください。BIOSのリセットについては**クリアCOMS**ジャンパセクションをご参照ください。

BIOSのアップデート方法

M-FLASH での BIOS アップデート

アップデートの前に:

MSIのWEBサイトから最新のBIOSファイルをダウンロードし、USBメモリのルートフォルダにコピーします。

BIOSのアップデート

1. アップデートするBIOSイメージファイルを含むUSBメモリをマザーボードのUSBポートに挿入します。
2. 下記の方法でフラッシュモードに入ります。
 - POST中に<Ctrl + F5>キーを押して、**Yes**をクリックしてシステムを再起動させます。
 - POST中に<Delete>キーを押してBIOSセットアップ画面に入ります。**M-FLASH**タブを選択し、**Yes**をクリックしてシステムを再起動させます。
3. BIOSイメージファイルを一つ選択し、BIOSアップデートのプロセスを開始させます。
4. アップデートプロセスが完了した後、システムが自動的に再起動します。

MSI DRAGON CENTER での BIOS アップデート

アップデートの前に:

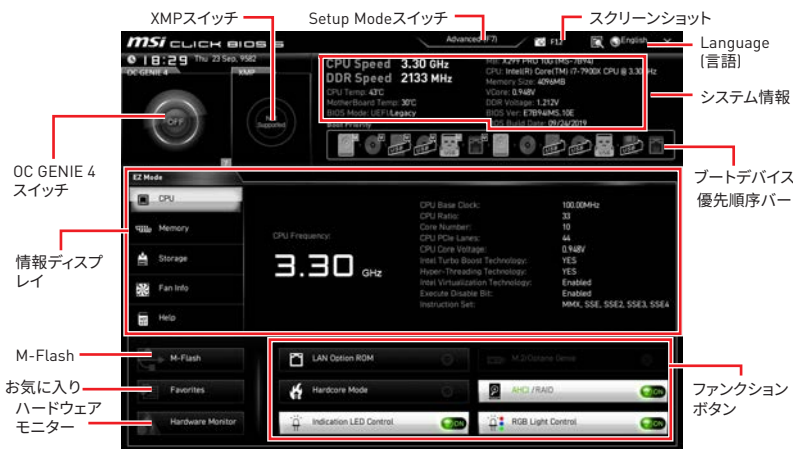
LANドライバーがインストールされ、インターネット接続が正しく設定されていることを確認してください。

BIOSのアップデート:

1. MSI DRAGON CENTER をインストールして起動させます。
2. **BIOS アップデート**を選択します。
3. 「**スキャン**」 ボタンをクリックします。
4. ダウンロードアイコンをクリックし、最新のBIOSファイルをダウンロードしてインストールします。
5. **Next** をクリックして **In Windows mode** を選択します。それから、**Next** と **Start** をクリックして BIOS のアップデートを始めます。
6. アップデートプロセスが完了した後、システムが自動的に再起動します。

EZモード

EZモードには、基本的なシステム情報が表示され、ユーザーは基本的な設定を行うことができます。詳細なBIOS設定を行う場合には、**Setup Modeスイッチ**または<F7>キーを押してアドバンスモードに入ります。



- **OC GENIE 4スイッチ** - このスイッチをクリックして、OCのために**OC GENIE 4**を切り替えます。

⚠ 注意

OC GENIE 4機能の有効時には、最適のパフォーマンスとシステムの安定性を維持するために、OCメニュー内の設定を変更しないでください。またデフォルト設定をロードしないでください。

- **A-XMPスイッチ (オプション)** - 内側の円をクリックして、A-XMPを有効または無効にします。外側の円に切り替えると、メモリプロファイルを選択します。装着されたメモリモジュールが本機能をサポートする場合に、このスイッチが利用可能です。
- **Setup Modeスイッチ** - このタブまたは<F7>キーを押すことで、アドバンスモードとEZモードを切り替えます。
- **スクリーンショット** - このタブまたは<F12>キーを押すことで、スクリーンショットが撮られ、USBメモリに保存されます。(FAT/ FAT32フォーマットのみ)
- **検索** - このタブまたは<Ctrl+F>をクリックすると、検索ページが表示されます。BIOS項目の名前で検索でき、項目の名前を入力して項目のリストを見つけます。マウスを空欄に移動し、マウスを右クリックして検索ページから終了します。

⚠ 注意

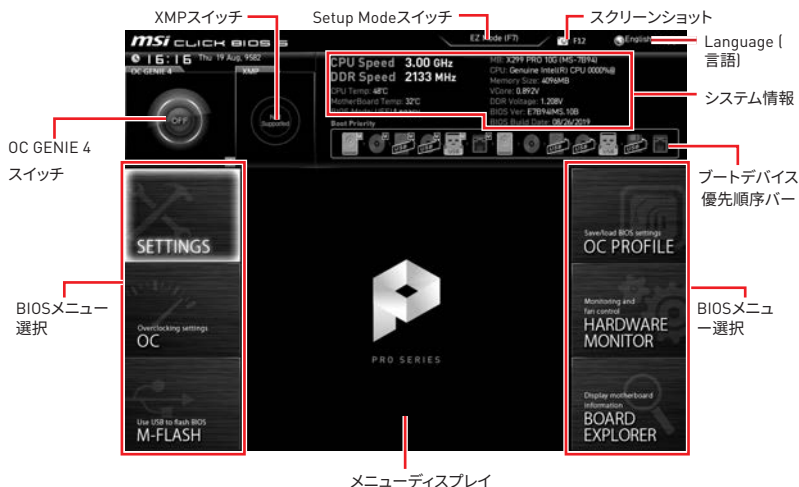
検索ページには、F6、F10およびF12機能キーのみが利用可能です。

- **Language(言語)** - BIOSセットアップ画面で使用する言語を選択します。
- **システム情報** - CPU/ DDRスピード、CPU/ MB温度、MB/ CPUのタイプ、メモリのサイズ、CPU/ DDR電圧、BIOSバージョンと作成日を表示されます。
- **ブートデバイス優先順序バー** - デバイスアイコンを移動させることで、ブートデバイスの優先順序を変更できます。優先順序は最も左にあるものが一番高く、右へ行くほど低くなります。

- **情報ディスプレイ** - 左側の**CPU、Memory、Storage、Fan Info**および**Help** ボタンを押すと、関連した情報が表示されます。
- **ファンクションボタン** - 各ボタンをクリックすることで、**M.2/Optane Genie、Hardcore Mode、AHCI/RAID、Indication LED Control**および**RGB Light Control**を有効または無効にします。
- **M-Flash** - このボタンを押すと、**M-Flash**メニューが表示されます。USBメモリを使ってBIOSをアップデートする方法を提供します。
- **ハードウェアモニター** - このボタンを押すと、**Hardware Monitor** メニュー表示されます。パーセンテージでファンのスピードを手動でコントロールできます。
- **Favorites[お気に入り]** - **Favorites**タブまたは**<F3>**キーを押すと、**Favorites**メニューが表示されます。個人用BIOSメニューを作成し、その中でユーザーのお気に入りや頻繁に使用するBIOSの設定項目を保存してアクセスできます。
 - **Default HomePage** - 特定のBIOSメニューをBIOSのホームページとして選択できます。(例:SETTINGS, OC, その他)
 - **Favorite1~5** - 一つのページにお気に入りや頻繁に使用するBIOS設定項目を加えます。
 - **BIOS設定項目をFavoriteページに追加する (Favorite 1~5)**
 1. BIOSメニューにだけでなく検索ページにもマウスをBIOS項目に移動します。
 2. 右クリックをするか、または**<F2>**キーを押します。
 3. Favoriteページを一つ選択して**OK**をクリックします。
 - **BIOS設定項目をFavoriteページから削除する**
 1. Favoriteページ内のBIOS項目を選択します。(Favorite 1~5)
 2. 右クリックをするか、または**<F2>**キーを押します。
 3. **Delete**を選択し**OK**をクリックします。

アドバンスモード

Setup Modeスイッチまたは <F7>キーを押すと、BIOSのセットアップ画面においてEZモードとアドバンスモードが切り替わります。



- **BIOSメニュー選択** - 以下のメニューが利用できます：
 - **SETTINGS** - チップセットのパラメータとブートデバイスを指定できます。
 - **OC** - 周波数の引き上げによって、より良いパフォーマンスが得られるでしょう。
 - **M-FLASH** - USBを使用してBIOSをアップデートできます。
 - **OC PROFILE** - OCプロファイルを管理します。
 - **HARDWARE MONITOR** - ファンの回転速度の設定とシステムの各電圧値のモニタができます。
 - **BOARD EXPLORER** - マザーボードに取り付けられたデバイスの情報を表示します。
- **メニューディスプレイ** - 設定されたBIOSの設定項目と情報が表示されます。

OCメニュー

マザーボードのオーバークロックを行いたい上級者向けのメニューです。



注意

- 手動でのオーバークロックは上級者以外にはお薦めしません。
- オーバークロックによる故障は製品保証の対象外となりますのでご注意ください。不適切な操作は製品の保証を無効にさせ、またハードウェアに深刻なダメージを与えるおそれがあります。
- オーバークロックに精通していない場合は、**OC GENIE 4** 機能による簡単なオーバークロックをお薦めします。
- プロセッサによりBIOSの項目は異なる場合があります。

▶ OC Explore Mode [Normal]

OC設定の表示項目をnormal(通常)またはexpert(専門)のどちらにするか設定します。

[Normal] BIOS設定に通常のOC設定項目を使用します。

[Expert] BIOS設定にOC上級者向けの詳細なOC設定項目を使用します。

注意: 以降の説明ではExpertモードのみで表示される設定項目に"*"(アスタリスク)を使用します。

▶ CPU Ratio Apply Mode [All Core]*

CPU倍率の適用モードを設定します。この項目はCPUが**"Turbo Boost"**をサポートする場合にのみ表示されます。

[All Core] **CPU Ratio**を有効化します。すべてのCPUコアが**CPU Ratio**の項目に設定された同じCPU倍率で動作します。

[Per Core] **"Core X X of X xxxx MHz"**の項目を有効化します。**"Core X X of X xxxx MHz"**の項目に各CPUコアの倍率を個別に設定します。

[Turbo Ratio] **"X-Core Ratio Limit"**の項目を有効化します。この項目はCPUが本機能をサポートする場合にのみ表示されます。

▶ X-Core Ratio Limit [Auto]*

異なる数のアクティブコアのためにCPU倍率を設定します。これらの項目は**CPU Ratio Apply Mode**を**Turbo Ratio**に設定する場合にのみ表示されます。

▶ Adjusted CPU Frequency

調整後のCPU周波数を表示します。読み取り専用です。

▶ **Core X X of X xxxx MHz [Auto]***

異なる数のアクティブコアのためにCPU倍率を設定します。これらの項目はCPU Ratio Apply ModeをPer Coreに設定する場合にのみ表示されます。

▶ **CPU Ratio Offset When Running AVX [Auto]**

オフセット値を設定してCPUコア倍率を低下します。AVX命令セットを動作している時、この項目は熱放散に役立ちます。“Auto”に設定すると、BIOSが自動的に行います。この項目はCPUが本機能をサポートする場合にのみ表示されます。

▶ **Ring Ratio [Auto]**

Ringの倍率を設定します。有効な値の範囲は取り付けられたCPU依存します。

▶ **Adjusted Ring Frequency**

調整後のRingの周波数を表示します。読み取り専用です。

▶ **Misc Setting***

Enter、+または-キーを押すと、CPUの機能に関連した下記の二つの設定項目を表示または非表示にします。

▶ **EIST [Enabled]***

Enhanced Intel® SpeedStepテクノロジーを有効または無効にします。

[Enabled] EISTを有効化して、CPU電圧とコア周波数を動的に調整させます。それにより平均電力消費量と平均熱発生量を低減できます。

[Disabled] EISTを無効にします。

▶ **Intel Turbo Boost [Enabled]***

インテル®ターボブーストを有効か無効にします。この項目はCPUがこの設定をサポートする場合にのみ表示されます。

[Enabled] システムがより高いパフォーマンスを要求する場合に、CPUの仕様の範囲内で自動的にCPUのクロックを上昇させます。

[Disabled] この機能を無効にします。

▶ **Enhanced Turbo [Auto]***

CPUのパフォーマンスを向上させるために、Enhanced Turbo機能を有効または無効にします。この項目はCPUがこの設定をサポートする場合にのみ表示されます。

[Auto] BIOSにより自動的に設定を行います。

[Enabled] すべてのCPUコアが最大のターボ倍率に引き上げられます。

[Disabled] この機能を無効にします。

▶ **CPU Base Clock (MHz)**

CPUベース周波数を設定します。この値を調整することでCPUをオーバークロック出来ます。オーバークロック時の動作と安定性については保証されないことに注意してください。この項目はCPUが本機能をサポートする場合に表示されます。

▶ **CPU Base Clock Apply Mode [Auto]***

設定したCPUベースクロックの適用モードを設定します。

[Auto] BIOSにより自動的に設定を行います。

[Next Boot] 次回の起動時から、設定したCPUベースクロックで動作します。

[Immediate] 変更した設定が即座にCPUベースクロックに適用されます。<Enter>キーを押すと、サブメニューが表示されます。詳細なclockgen featureを設定します。

▶ Extreme Memory Profile (X.M.P.) [Disabled]

X.M.P. (Extreme Memory Profile)はメモリモジュールによるオーバークロックテクノロジーです。メモリをオーバークロックのために、XMPを有効にしてメモリモジュールのプロファイルを選択します。X.M.P.をサポートするメモリモジュールを取り付けた場合に、この項目が利用できます。

▶ DRAM Reference Clock [Auto]*

DRAM基準クロックを設定します。有効な値の範囲は取り付けられたCPU依存します。この項目はCPUが値の調整をサポートする場合に表示されます。

▶ DRAM Frequency [Auto]

DRAM周波数を設定します。オーバークロック時の動作は保証されませんのでご注意ください。

▶ Adjusted DRAM Frequency

変更したDRAM周波数を表示します。読み取り専用です。

▶ Load Memory Presets [Disabled]*

装着したメモリモジュールのタイミング、電圧を最適化します。



注意

異なるメモリモジュールの製造品質のために、好ましいパラメーターを手動で調整または微調整することをお勧めします。

▶ Memory Try It ! [Disabled]

Memory Try It!は最適なメモリプリセットを選択することにより、メモリの互換性または性能を改善します。

▶ DRAM Timing Mode [Link]

メモリタイミングのモードを選択します。

[Link] すべてのメモリチャンネルに同じDRAMタイミングを設定できます。

[UnLink] 各メモリチャンネルに別々のDRAMタイミングを設定できます。

▶ Advanced DRAM Configuration

<Enter>キーを押すと、サブメニューが表示されます。個別または全てのメモリチャンネルに対してメモリタイミングを設定できます。メモリタイミングを変更した後、システムが不安定になったり、起動しなくなったりすることがあります。その場合は、CMOSデータをクリアし、デフォルト設定に戻してください。[クリアCMOSジャンプ/ボタンの節を参照してCMOSのクリアを行い、クリア後BIOSの設定画面でデフォルト設定をロードしてください。]

▶ Memory Fast Boot [Auto]*

システムの起動の度に行うメモリの開始とトレーニングを有効または無効に設定します。

[Auto] BIOSにより自動的に設定を行います。

[Enabled] 初回起動時に実行した開始とトレーニングの結果をシステムに保持させます。その後は起動の度に初期化とトレーニングをしなくなるため、システムの起動が早くなります。

[Disabled] 起動の度にメモリの初期化とトレーニングが行われます。

▶ CPU Voltages control [Auto]

これらのオプションでCPUに関連した電圧を設定できます。“Auto”に設定すると、BIOSが自動的に設定を行います。ユーザーも手動で設定を行うことができます。

▶ DRAM Voltages control [Auto]

これらのオプションでメモリに関連した電圧を設定できます。“Auto”に設定すると、BIOSが自動的に設定を行います。ユーザーも手動で設定を行うことができます。

▶ CPU Memory Changed Detect [Enabled]*

CPUまたはメモリが交換された場合、システムのブート中に警告メッセージを表示する機能を有効または無効にします。

[Enabled] システムのブート中に警告メッセージを表示させます。新しいデバイスのためにデフォルト設定をロードする必要があります。

[Disabled] この機能を無効にし、現在のBIOS設定を保持します。

▶ OC Quick View Timer [3 Sec]*

スクリーンに表示されたOC設定値の持続時間を設定します。[Disabled]に設定すると、BIOSがOC設定の持続時間を表示しません。

▶ CPU Specifications

<Enter>キーを押すと、サブメニューに入ります。サブメニューには取り付けられたCPUの情報が表示されます。<F4>キーを押すことで、いつでもこの情報メニューにアクセスできます。読み取り専用です。

▶ CPU Technology Support

<Enter>キーを押すと、サブメニューが表示されます。取り付けられたCPUがサポートするテクノロジーが表示されます。読み取り専用です。

▶ MEMORY-Z

<Enter>キーを押すと、サブメニューに入ります。サブメニューには取り付けられたメモリの設定とタイミングが全て表示されます。<F5>キーを押すと、いつでもこの情報メニューにアクセスできます。

▶ DIMMA1/A2/B1/B2/C1/C2/D1/D2 Memory SPD

<Enter>キーを押すと、サブメニューに入ります。取り付けられたメモリの情報が表示されます。読み取り専用です。

▶ CPU Features

<Enter>キーを押すと、サブメニューに入ります。

▶ Hyper-Threading [Enabled]

ハイパースレッディングテクノロジーに対応したCPUをお使いの場合、1つのCPUコアを2つの論理的なCPUコアとして認識させ、並列処理性能を高めることができます。ほとんどの場合、ハイパースレッディングテクノロジーを有効にすることでシステムの処理性能が向上します。

[Enable] ハイパースレッディングテクノロジーを有効にします。

[Disabled] システムがハイパースレッディングテクノロジーをサポートしない場合、このアイテムを無効にします。

▶ Active Processor Cores Control [All]

アクティブにするCPUコアの数を選択します。

▶ Limit CPUID Maximum [Disabled]

拡張CPUID値を有効または無効にします。

[Enabled] BIOSが最大CPUID入力値を制限し、拡張CPUID値をもつCPUをサポートしない古いOSでの起動に関する問題を回避します。

[Disabled] 実際の最大CPUID入力値を使用します。

▶ Intel Virtualization Tech [Enabled]

インテル バーチャライゼーション・テクノロジーを有効または無効にします。

[Enabled] インテル バーチャライゼーション・テクノロジーを有効にして、複数のOSが独立した区画で動作するプラットフォームにします。システムは仮想的に複数のシステムとして機能します。

[Disabled] この機能を無効にします。

▶ Intel VT-D Tech [Disabled]

インテルVT-D (ダイレクト I/Oのためのインテル バーチャライゼーション)テクノロジーを有効または無効にします。

▶ Hardware Prefetcher [Enabled]

ハードウェアプリフェッチャー (MLC Streamer prefetcher) を有効または無効にします。

[Enabled] CPUのパフォーマンスをチューンするために、ハードウェアプリフェッチャーがメモリからL2 キャッシュに自動的にデータと命令をプリフェッチします。

[Disabled] ハードウェアプリフェッチャーを無効にします。

▶ Adjacent Cache Line Prefetch [Enabled]

CPUハードウェアプリフェッチャー (MLC Spatial prefetcher)を有効または無効にします。

[Enabled] キャッシュの遅延時間を低減し、特定のアプリケーションの性能を最高の状態にチューンするために、隣接キャッシュラインのプリフェッチを有効にします。

[Disabled] 要求されたキャッシュラインのみ有効にします。

▶ CPU AES Instructions [Enabled]

CPU AES (Advanced Encryption Standard-New Instructions)サポートを有効または無効にします。この項目はCPUが本機能をサポートする場合に表示されます。

▶ Intel Adaptive Thermal Monitor [Enabled]

CPUを過熱から保護するために、インテルアダプティブサーマルモニター機能を有効または無効にします。

[Enabled] CPUが適応温度を超えた場合に、CPUコアクロック速度を落とします。

[Disabled] この機能を無効にします。

▶ Intel C-State [Auto]

インテル C-stateを有効または無効にします。C-stateはACPIによって定義されたプロセッサ電力管理技術です。

[Auto] BIOSが自動的に設定を行います。

[Enabled] システムのアイドル状態を検知し、状況に応じてCPUの電力消費を低減します。

[Disabled] この機能を無効にします。

▶ C1E Support [Disabled]

Halt状態での省電力のためのC1E機能を有効または無効にします。この項目は“Intel C-State”がEnabledに設定されている場合表示されず。

[Enabled] Halt状態での省電力のためにC1E機能を有効にし、CPUの動作クロックと電圧を下げます。

[Disabled] この機能を無効にします。

▶ Package C State Limit [Auto]

システムのアイドル時の省電力のために、CPU C-stateレベルを選択します。C-stateのオプションは取り付けられたCPUに依存します。CPUのために、長い間隔のTDP電力制限値を設定します。“Intel C-State”の項目がEnabledに設定されている場合に表示されず。

▶ CFG Lock [Enabled]

MSR 0xE2[15]、CFGロックビットをロック/またはアンロックします。

[Enabled] CFGロックビットをロックします。

[Disabled] CFGロックビットをアンロックします。

▶ Long Duration Power Limit (W) [Auto]

ターボブーストモード時のCPUのために、長い間隔のTDP電力制限値を設定します。

▶ Long Duration Maintained (s) [Auto]

“Long duration power Limit(W)”の項目のために、持続時間を設定します。

▶ Short Duration Power Limit (W) [Auto]

ターボブーストモード時のCPUのために、短い間隔のTDP電力制限値を設定します。

▶ CPU Current Limit (A) [Auto]

ターボブーストモード時のCPU/パッケージの最大の電流制限値を設定します。電流が指定の値を超えると、電流の低減のためにCPUが自動的にコア周波数を下げます。

▶ Internal VR OVP OCP Protection [Auto]

CPU内部のVR (電圧レギュレータ)の過電圧保護と過電流保護を有効または無効にします。

[Auto] BIOSにより自動的に設定を行います。

[Enabled] 過電圧保護と過電流保護のため、CPU内部のVRに制限電圧値を設定します。

[Disabled] オーバークロックのためにこの機能を無効にします。

▶ Internal VR Efficiency Management [Auto]

CPU内部のVR効率管理を有効または無効にします。この項目はCPUがこの設定をサポートする場合にのみ表示されます。

[Auto] BIOSにより自動的に設定を行います。

[Enabled] 省電力制御のためのVR効率管理を有効にします。

[Disabled] この機能を無効にします。



msi[®]

목차

안전 지침	3
사양	4
JCORSAIR1 커넥터 사양	9
제품 내용물	9
후면 I/O 패널	10
LAN 포트 LED 상태 표시	10
오디오 포트 구성 도표	10
Realtek 오디오 콘솔	11
구성품 개요	13
CPU 소켓	14
DIMM 슬롯	15
PCI_E1~4: PCIe 확장 슬롯	17
CPU_PWR1~2, ATX_PWR1: 전원 커넥터	19
M2_1~2: M.2 슬롯 (Key M)	19
M.2 XPANDER-Z GEN 4 설치하기 (옵션)	21
SATA1~6: SATA 6Gb/s 커넥터	23
VRAID1: Virtual RAID on CPU 커넥터	23
JFP1, JFP2: 전면 패널 커넥터	24
JAUD1: 전면 오디오 커넥터	24
CPU_FAN1, PUMP_FAN1, SYS_FAN1~4: 팬 커넥터	25
JUSB1, JUSB3: USB 3.2 Gen1 커넥터	26
JUSB4~5: USB 2.0 커넥터	26
JUSB2: USB 3.2 Gen2 C타입 커넥터	27
JTBT1: 썬더볼트 추가 카드 커넥터	27
POWER1, RESET1: 전원 버튼, 리셋 버튼	28
JBAT1: CMOS (Reset BIOS) 클리어 점퍼	28
JCI1: 새시 침입 커넥터	29
JRGB1: RGB LED 커넥터	30
JRAINBOW1~2: 주소 지정 가능한 RGB LED 커넥터	31
JCORSAIR1: CORSAIR 커넥터	32
온보드 LEDs	33
EZ 디버그 LED	33
XMP LED	33
OS, 드라이버 & 유틸리티 설치하기	34
Windows® 10 설치하기	34
드라이버 설치하기	34
유틸리티 설치하기	34

BIOS 설정	35
BIOS 설정.....	35
BIOS(바이오스) 리셋.....	36
BIOS(바이오스) 업데이트.....	36
EZ 모드	37
고급 모드	39
OC 메뉴.....	40

안전 지침

- 이 패키지에 포함된 부품은 정전기 방전(ESD)에 의해 파손될 우려가 있으므로 다음의 설명에 따라 컴퓨터를 조립하기 바랍니다.
- 모든 부품이 제대로 연결되었는지 확인하세요. 제대로 연결되지 않을 경우, 컴퓨터가 부품을 인식하지 못하거나 컴퓨터를 켤 수가 없게 됩니다.
- 부품의 예리한 부분에 손을 다칠 수 있으므로 메인보드 취급시 가장자리 부분을 잡기 바랍니다.
- 메인보드를 취급할 때 정전기로 인한 피해를 방지하기 위해 정전기 방전 ESD 손목 스트랩을 착용할 것을 권장합니다. ESD 손목 스트랩이 없을 경우, 다른 금속 물체를 접촉하는 방법으로 방전하시기 바랍니다.
- 메인보드의 설치여부를 막론하고 메인보드를 정전 차폐 컨테이너 또는 정전기 방지 패드 위에 보관하기 바랍니다.
- 컴퓨터의 전원을 켜기 전에 메인보드 또는 컴퓨터 케이스에 느슨한 스크류 또는 금속 부품이 없는지 확인합니다.
- 설치가 완료되기 전에 컴퓨터를 부팅하지 마세요. 그럴 경우, 부품이 영구적으로 손상되거나 사용자가 다칠 수 있습니다.
- 설치시 도움이 필요하다면 컴퓨터 기술자에게 도움을 요청하시기 바랍니다.
- 컴퓨터 부품을 설치하거나 제거하기 전에 항상 시스템 전원을 끄고 전원 코드를 콘센트에서 분리합니다.
- 나중에 참조할 수 있도록 사용 설명서를 보관해두세요.
- 메인보드를 습기가 있는 곳에서 사용하지 마세요.
- PSU를 전원 콘센트에 연결하기 전에 전원 콘센트가 PSU에 표시된 전압과 동일한 전압을 제공하는지 확인하세요.
- 전원 코드가 발에 밟히지 않도록 설치하세요. 전원 코드 위에 물건을 올려놓지 마세요.
- 메인보드에 표시된 모든 주의사항 및 경고를 유의하기 바랍니다.
- 다음 상황이 발생하면, 서비스 담당에게 장치 점검을 받으세요.:
 - 액체가 장치 안에 스며들었습니다.
 - 메인보드가 습기에 노출되었습니다.
 - 메인보드가 제대로 작동하지 않거나 사용 설명서에 따라 사용해도 작동되지 않습니다.
 - 메인보드가 떨어졌거나 손상되었습니다.
 - 메인보드가 확실히 파손될 우려가 있는 부분이 있습니다.
- 메인보드를 주변온도 60°C (140°F) 이상에 두지 마세요. 메인보드가 손상될 수 있습니다.

사양

CPU	LGA2066 소켓을 사용한 인텔® 코어™ X-시리즈 10000/ 9000/ 78xx (above) 프로세서 지원
칩셋	인텔® X299 칩셋
메모리	<ul style="list-style-type: none"> • DDR4 메모리 슬롯 8개, 최대 256GB 지원 <ul style="list-style-type: none"> ▪ DDR4 4200+(OC)/ 4000(OC)/ 3800 (OC)/ 3733(OC)/ 3600(OC)/ 3466(OC)/ 3400(OC)/ 3333(OC)/ 3300(OC)/ 3200(OC)/ 3000(OC)/ 2933/ 2666/ 2400/ 2133 MHz* 지원 • 쿼드 채널 메모리 구성 • 인텔® Extreme Memory Profile (XMP) 지원 • non-ECC UDIMM 메모리 지원 • un-buffered 메모리 지원 <p>* 메모리에 대한 최신 정보는 http://www.msi.com을 방문하여 알아보시기 바랍니다. ** 자세한 점은 DIMM 슬롯 섹션을 참고하십시오.</p>
확장 슬롯	<ul style="list-style-type: none"> • PCIe 3.0 x16 슬롯 4개 <ul style="list-style-type: none"> ▪ 48 레인 CPU일 경우 x16/x8/x16/x8 모드 지원 * ▪ 44 레인 CPU일 경우 x16/x4/x16/x8 모드 지원* ▪ 28 레인 CPU일 경우 x16/x4/x8/x0 모드 지원 * <p>* PCIe 3.0 표는 17 페이지를 참조하십시오.</p>
멀티-GPU	<ul style="list-style-type: none"> • NVIDIA® SLI™ 기술 지원 • AMD® CrossFire™ 기술 지원
LAN	<ul style="list-style-type: none"> • 인텔 I219-V Gigabit LAN 컨트롤러 1개* • Realtek RTL8125-CG 2.5G LAN 컨트롤러 1개 • 어원시아® AQC107 10-Gigabit LAN 카드 1개 (X299 PRO 10G) <p>* I219 LAN이 G3 to S5 Wake를 지원하지 않습니다.</p>
스토리지	<p>인텔® X299 칩셋</p> <ul style="list-style-type: none"> • SATA 6Gb/s 포트 6개* • M.2 슬롯 2개 (Key M) <ul style="list-style-type: none"> ▪ 최대 PCIe 3.0 x4 및 SATA 6Gb/s, 2242/ 2260/ 2280/ 22110 저장 장치 지원 ** ▪ 인텔® Optane™ Memory Ready*** <p>* SATA1 커넥터는 SATA M.2 SSD가 M2_1슬롯에 설치된 경우 사용할 수 없습니다. ** M2_2 기본 설정은 CPU 레인입니다. 그러나 PCIe 확장 카드가 PCI_E2 슬롯에 설치된 경우, M2_2가 자동으로 PCH 레인으로 전환됩니다. ** M2_2가 PCH 레인을 사용하고 M.2 SATA SSD가 M2_2 슬롯에 설치된 경우, SATA2 커넥터를 사용할 수 없습니다. *** M2_2는 PCH 레인으로 전환하여 인텔® Optane™ 메모리를 지원합니다.</p>

다음 페이지에서 계속

이전 페이지로부터 계속

<p>RAID</p>	<p>인텔® X299 칩셋</p> <ul style="list-style-type: none"> • RAID 0, RAID1, RAID 5 및 RAID 10 (SATA 저장 장치) 지원 • RAID 0 및 RAID 1 (M.2 PCIe 저장 장치) 지원
<p>USB</p>	<ul style="list-style-type: none"> • ASMedia® ASM3242 칩셋 <ul style="list-style-type: none"> ▪ USB 3.2 Gen2x2 (슈퍼 스피드 USB 20Gbps) 후면 패널에 C 타입 포트 1개 • ASMedia® ASM3142 칩셋 <ul style="list-style-type: none"> ▪ USB 3.2 Gen2 (슈퍼 스피드 USB 10Gbps) 내장 커넥터 C 타입 1개 • 인텔® X299 칩셋 <ul style="list-style-type: none"> ▪ USB 3.2 Gen1 (슈퍼 스피드 USB) 8 포트 (후면 패널에 4 포트, 내장 USB 커넥터를 통해 4포트) ▪ USB 2.0 (하이 스피드 USB) 8 포트 (후면 패널에 4포트, 내장 USB 커넥터를 통해 4포트)
<p>오디오</p>	<p>Realtek® ALC1220 코덱 1개</p> <ul style="list-style-type: none"> • 7.1-채널 HD 오디오 • S/PDIF 출력 지원
<p>후면 패널 커넥터</p>	<ul style="list-style-type: none"> • PS/2 키보드/ 마우스 콤보 포트 1개 • CMOS 클리어 버튼 1개 • USB 2.0 A타입 포트 4개 • USB 3.2 Gen1 A타입 포트 4개 • 2.5G LAN (RJ45) 포트 1개 • 1G LAN (RJ45) 포트 1개 • USB 3.2 Gen2x2 C타입 포트 1개 • OFC 오디오 잭 5개 • 옵티컬 S/PDIF 출력 커넥터 1개

다음 페이지에서 계속

이전 페이지로부터 계속

<p>내장 커넥터</p>	<ul style="list-style-type: none"> • 24핀 ATX 메인 전원 커넥터 1개 • 8핀 ATX 12V 전원 커넥터 2개 • SATA 6Gb/s 커넥터 6개 • USB 2.0 커넥터 2개 (외 USB 2.0 4포트 지원) • USB 3.2 Gen1 커넥터 2개 (외 USB 3.2 Gen1 4포트 지원) • USB 3.2 Gen2 C타입 1포트 • 4핀 CPU 팬 커넥터 1개 • 4핀 워터 펌프 커넥터 1개 • 4핀 시스템 팬 커넥터 4개 • 전면 패널 오디오 커넥터 1개 • 시스템 패널 커넥터 2개 • TPM 모듈 커넥터 1개 • 새시 침입 커넥터 1개 • Virtual RAID on CPU 커넥터 1개 • 썬더볼트 추가 카드 커넥터 1개
<p>LED 커넥터</p>	<ul style="list-style-type: none"> • 4핀 RGB LED 커넥터 1개 • 3핀 ARGB LED 커넥터 2개 • 3핀 CORSAIR LED 커넥터 1개
<p>내장 버튼</p>	<ul style="list-style-type: none"> • 전원 버튼 1개 • 리셋 버튼 1개
<p>점퍼</p>	<ul style="list-style-type: none"> • CMOS 클리어 점퍼 1개
<p>디버그 LED</p>	<ul style="list-style-type: none"> • EZ 디버그 LED 4개
<p>I/O 컨트롤러</p>	<p>NUVOTON NCT6797 컨트롤러 칩</p>
<p>하드웨어 모니터</p>	<ul style="list-style-type: none"> • CPU/시스템 온도 감지 • CPU/시스템 팬 속도 감지 • CPU/시스템 팬 속도 제어
<p>폼 팩터</p>	<ul style="list-style-type: none"> • ATX 폼 팩터 • 12 in. x 9.6 in. (30.5 cm x 24.4 cm)
<p>BIOS 기능</p>	<ul style="list-style-type: none"> • 128 Mb 플래쉬 1개 • UEFI AMI BIOS • ACPI 6.1, SMBIOS 3.0 • 다국어

다음 페이지에서 계속

<p>소프트웨어</p>	<ul style="list-style-type: none"> • 드라이버 • 드래곤 센터 • CPU-Z MSI 게이밍 • 구글 유틸리티 : 크롬™, 툴바, 드라이브 • 노턴™ 인터넷 시큐리티 솔루션
<p>드래곤 센터 기능</p>	<ul style="list-style-type: none"> • 미스틱 라이트 • 하드웨어 모니터 • True Color • Live 업데이트 • 속도 향상 • 스마트 툴 • 슈퍼 차처 <div style="text-align: right;">  <p>더 자세한 점은 http://download.msi.com/manual/mb/DRAGONCENTER2.pdf 을 참조하세요.</p> </div>
<p>특수 기능</p>	<ul style="list-style-type: none"> • 오디오 <ul style="list-style-type: none"> ▪ 오디오 부스트 4 • 네트워크 <ul style="list-style-type: none"> ▪ 듀얼 LAN ▪ 2.5G LAN ▪ LAN 매니저 ▪ 10G 슈퍼 LAN (옵션 추가 카드) • 저장 장치 <ul style="list-style-type: none"> ▪ 트윈 터보 M.2 ▪ M.2 XPANDER-Z GEN4 (옵션 추가 카드) • 팬 <ul style="list-style-type: none"> ▪ 펌프 팬 ▪ 스마트 툴 컨트롤

다음 페이지에서 계속

이전 페이지로부터 계속

특수 기능

- 쿨링
 - 확장된 히트싱크 디자인
 - 펌프 팬
- LED
 - 미스틱 라이트 익스텐션 (RGB)
 - 미스틱 라이트 익스텐션 (RAINBOW)
 - 미스틱 라이트 익스텐션 (CORSAIR)
 - 미스틱 라이트 SYNC
 - EZ 디버그 LED
- 보호
 - M.2 쉴드 Frozr
 - PCI-E 스틸 아머
 - PCI-E 스틸 슬롯
- 성능
 - 멀티 GPU - SLI 기술
 - 멀티 GPU - CrossFire 기술
 - DDR4 부스트
 - 코어 부스트
 - USB (A+C타입)
 - 라이트닝 USB
 - 라이트닝 USB 20G
 - 듀얼 CPU 전원
- 게이머 / 사용자 익스피리언스
 - 드래곤 센터
 - 속도 향상
 - 전체 팬 컨트롤
 - Live 업데이트
- BIOS
 - 클릭 BIOS 5

JCORSAIR1 커넥터 사양

CORSAIR RGB 제품 지원	최대 연결
라이팅 노드 PRO LED 스트립	20* * 20% 밝기의 경우
HD120 RGB 팬	6
SP120 RGB 팬	6
LL120 RGB 팬	6

제품 내용물

메인보드 패키지의 내용물을 확인하십시오. 다음 품목들이 패키지에 들어 있어야 합니다:

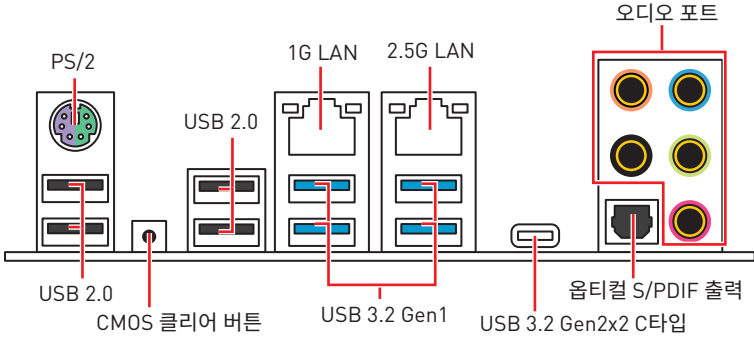
메인보드		X299 PRO	X299 PRO 10G
서류	사용자 설명서	1	1
	케이스 스탠드 오프 통지서	1	1
	빠른 설치 설명서	1	1
애플리케이션	드라이버 DVD	1	1
케이블	SATA 6G 케이블	2	2
	LED JRGB Y 케이블	1	1
	LED JCORSAIR 케이블	1	1
	LED JRAINBOW 케이블	1	1
확장 카드	M.2 XPANDER-Z GEN4	—	1
	10G LAN 카드	—	1
악세사리	케이스 배지	1	1
	SATA 케이블 스티커	1	1
	제품 등록 카드	1	1
	IO 쉴딩	1	1
	M.2 나사	2	2



중요사항

위 항목 중 하나라도 손상되었거나 누락되었다면 대리점에 문의하십시오.

후면 I/O 패널



• **CMOS 클리어 버튼** - 컴퓨터 전원을 끕니다. CMOS 클리어 버튼을 5-10초동안 눌러 BIOS 설정 값을 기본 설정으로 리셋합니다.

LAN 포트 LED 상태 표시

링크/ 통신 LED		속도 LED												
상태	설명													
꺼짐	LAN이 올바르게 연결되지 않았습니다.	<table border="1"> <thead> <tr> <th>상태</th> <th>1G LAN</th> <th>2.5G LAN</th> </tr> </thead> <tbody> <tr> <td>꺼짐</td> <td>10 Mbps</td> <td>10 Mbps</td> </tr> <tr> <td>녹색</td> <td>100 Mbps</td> <td>100 M/ 1G bps</td> </tr> <tr> <td>주황색</td> <td>1 Gbps</td> <td>2.5 Gbps</td> </tr> </tbody> </table>	상태	1G LAN	2.5G LAN	꺼짐	10 Mbps	10 Mbps	녹색	100 Mbps	100 M/ 1G bps	주황색	1 Gbps	2.5 Gbps
상태	1G LAN		2.5G LAN											
꺼짐	10 Mbps		10 Mbps											
녹색	100 Mbps	100 M/ 1G bps												
주황색	1 Gbps	2.5 Gbps												
켜짐	LAN이 올바르게 연결되었습니다.													
깜박임	컴퓨터가 LAN으로 정상적인 통신중입니다.													

오디오 포트 구성 도표

오디오 포트	채널			
	2	4	6	8
중앙/ 서브우퍼 출력			●	●
뒷면 스피커 출력		●	●	●
라인 입력/ 사이드 스피커 출력				●
라인 출력/ 전면 스피커 출력	●	●	●	●
마이크 입력				

(●: 연결됨, 빈칸: 무)

Realtek 오디오 콘솔

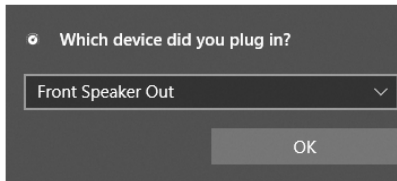
Realtek 오디오 콘솔을 설치한 후 사운드 설정을 변경하여 더 나은 사운드를 경험할 수 있습니다.



- **장치 선택** - 오디오 출력 소스를 선택하여 관련 옵션을 변경합니다. **체크** 표시된 장치가 기본 장치입니다.
- **애플리케이션 강화** - 출력 및 입력 장치의 예상 음향 효과에 대한 가이드를 전부 제공합니다.
- **메인 볼륨** - 바를 조정하여 볼륨을 조정하거나 전면 또는 후면 패널에 연결된 스피커의 오른쪽/왼쪽 사이드의 균형을 잡습니다.
- **잭 상태** - 모든 렌더링 및 캡처 장치가 현재 컴퓨터에 연결되었는지 보여줍니다.
- **커넥터 설정** - 커넥터 연결에 대한 설정을 구성합니다.

자동 팝업 대화창

장치를 오디오 잭에 연결하면 아래와 같은 대화창이 나타나며 현재 어떤 기기가 연결되었는지를 선택해야 합니다.



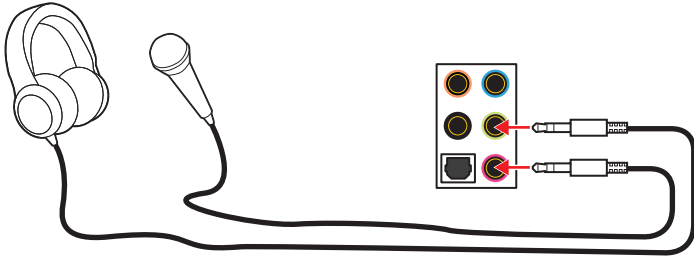
다음 페이지에서 매개 잭에 해당하는 기본 설정을 알아볼 수 있습니다.



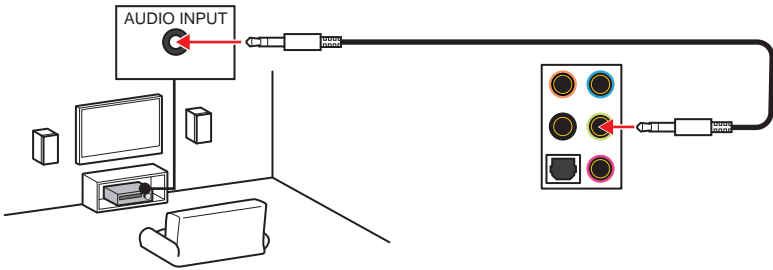
중요사항

이 그림은 참조용일 뿐이며 구매한 제품에 따라 다를 수 있습니다.

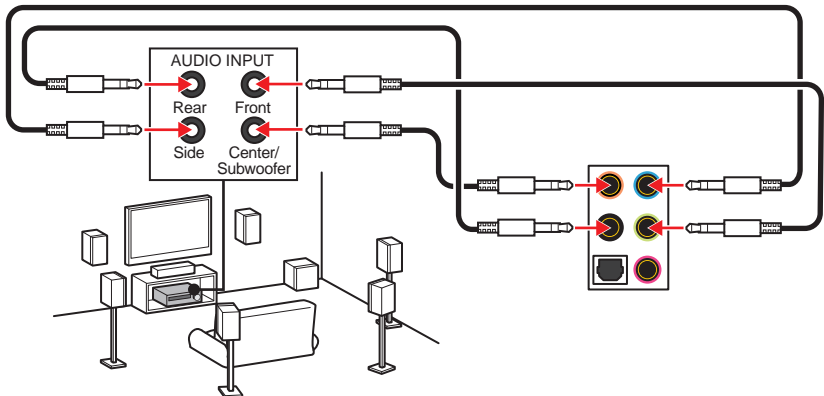
헤드폰 및 마이크용 오디오 잭 도표



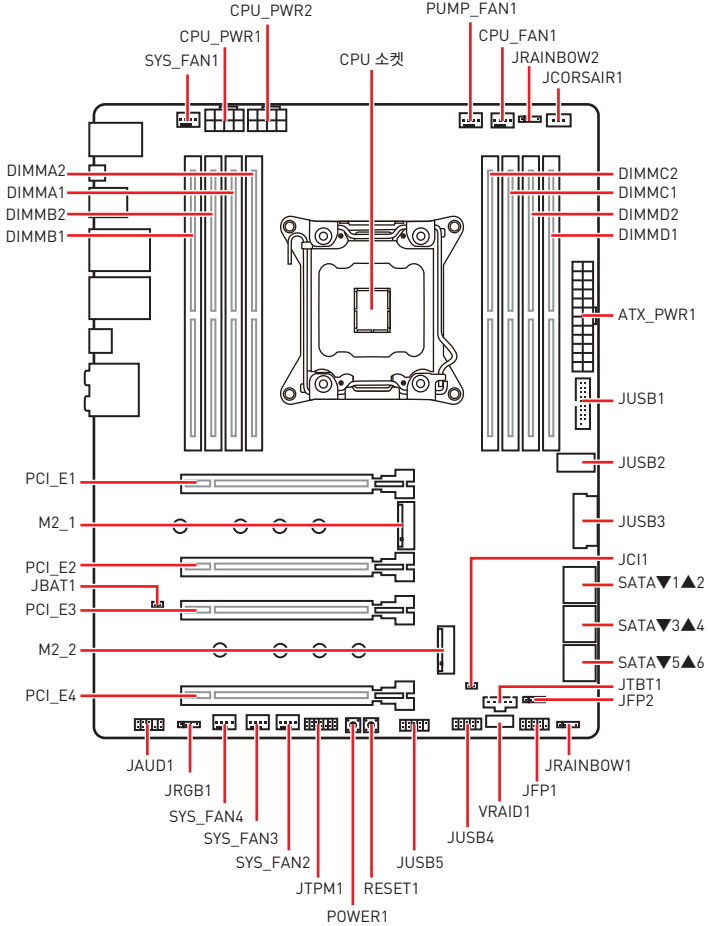
스테레오 스피커용 오디오 잭 도표



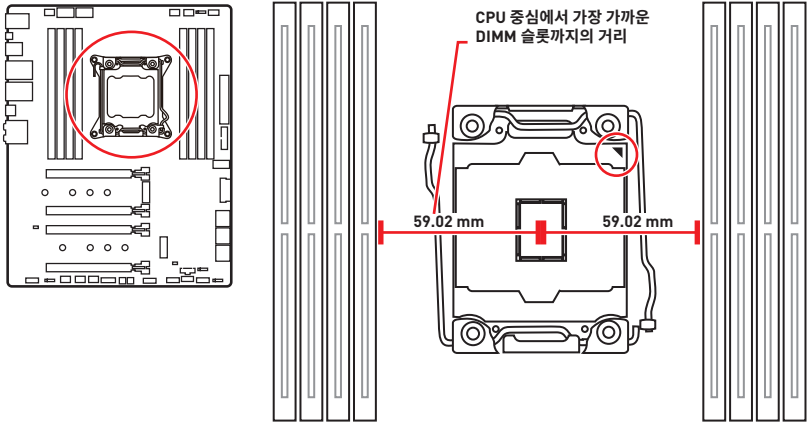
7.1-채널 스피커용 오디오 잭 도표



구성품 개요

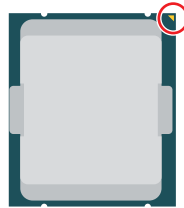


CPU 소켓



LGA 2066 CPU 소개

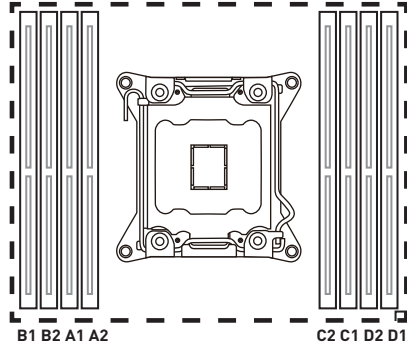
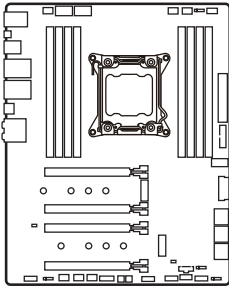
LGA 2066 CPU 표면에는 4개의 노치와 1개의 금색 삼각형이 있어 메인보드를 배치할 때 CPU를 올바르게 정렬할 수 있습니다. 금색 삼각형은 핀 1 표시기입니다.



⚠️ 중요사항

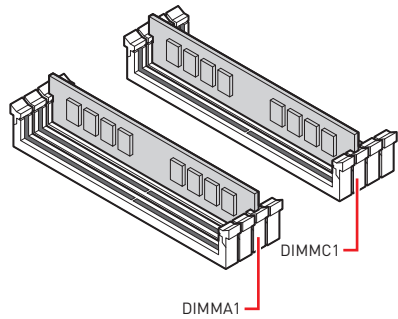
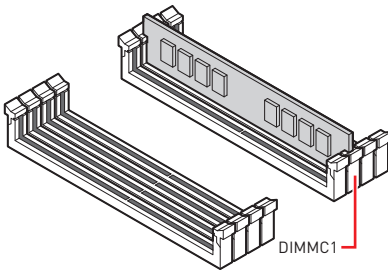
- CPU를 설치하거나 제거하기 전에 전원 코드를 콘센트에서 뽑아주시기 바랍니다.
- 프로세서를 설치한 후, CPU 보호 캡을 보관하시기 바랍니다. 반품시 메인보드와 CPU 소켓 보호 캡이 함께 제공되어야만 MSI에서 반품(RMA) 요청 처리를 진행할 수 있습니다.
- CPU 설치시, CPU 히트싱크를 반드시 설치하세요. CPU 히트싱크는 과열을 방지하고 시스템 성능을 유지하는데 꼭 필요합니다.
- 시스템을 부팅하기 전에 CPU 히트싱크가 단단히 설치되었는지 확인합니다.
- 과열은 CPU와 시스템을 심각하게 손상시킬 수 있으니 CPU가 과열되지 않도록 쿨러팬이 제대로 작동하고 있는지 항상 확인하세요. 열이 잘 발산되도록 CPU와 방열판 사이에서 서멀 페이스트(또는 서멀 테이프)를 고르게 발라주세요.
- CPU가 설치되어 있지 않은 경우, 손상되지 않도록 항상 플라스틱 캡으로 CPU 소켓 핀을 보호하세요.
- CPU와 히트싱크/쿨러를 별도로 구입하였을 경우, 설치에 대한 자세한 내용은 히트싱크/쿨러 패키지에 있는 설명서를 참조하세요.
- 이 메인보드는 오버클로킹을 지원하도록 디자인 되었습니다. 오버클럭하기 전에 오버클로킹 기능을 실행하는 동안 여타 부품이 오버클럭 설정을 사용할 수 있는지 확인하세요. 제품 스펙을 초과하는 범위에서는 작동하지 마세요. 당사 MSI®는 올바르게 작동하거나 제품 스펙을 초과하는 범위에서 작동하여 발생한 손상이나 위험은 보장하지 않습니다.

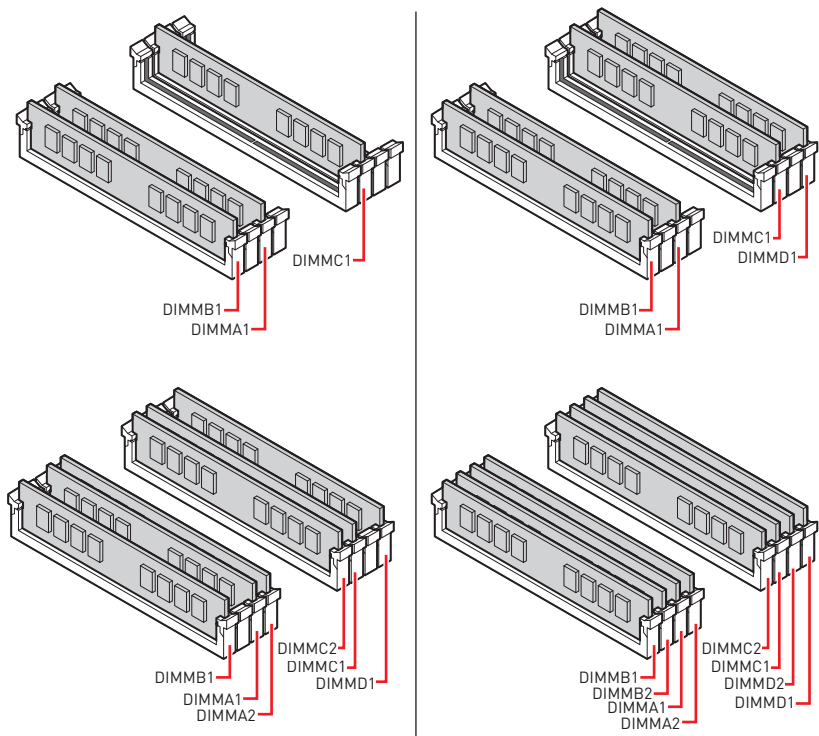
DIMM 슬롯



메모리 모듈 설치 추천

	B1	B2	A1	A2	CPU 소켓	C2	C1	D2	D1
1 DIMM					인텔® 코어™ X-시리즈 10000/ 9000/ 78xx (above) 프로세서		✓		
2 DIMMs			✓				✓		
3 DIMMs	✓		✓				✓		
4 DIMMs	✓		✓				✓		✓
5 DIMMs	✓		✓			✓	✓		✓
6 DIMMs	✓		✓	✓		✓	✓		✓
7 DIMMs	✓	✓	✓	✓		✓	✓		✓
8 DIMMs	✓	✓	✓	✓		✓	✓	✓	✓



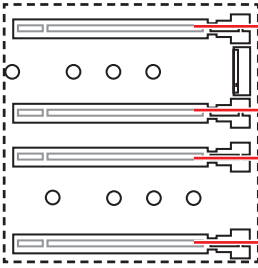


중요사항

- 항상 **DIMMC1** 슬롯에 메모리 모듈을 먼저 삽입하세요.
- 듀얼/트리플/쿼드 채널 모드의 시스템 안정성을 보장하려면 동일한 타입과 용량의 메모리 모듈을 사용해야 합니다. 모든 채널에 대해 홀수 DIMM 슬롯을 먼저 설치해야 합니다.
- 메모리 주파수는 Serial Presence Detect (SPD)에 의해 작동하기 때문에 오버클로킹시 일부 메모리는 표시된 값보다 낮은 주파수에서 작동합니다. 표시된 값(포함)보다 높은 주파수에서 메모리를 작동하려면 BIOS로 이동하여 **Memory Try It!** 항목에서 메모리 주파수를 설정하세요.
- 풀 DIMM 설치 또는 오버클로킹을 위해 보다 효율적으로 메모리 냉각 시스템을 사용할 것을 권장합니다.
- 오버클로킹시의 안정성과 설치된 메모리 모듈의 호환성은 설치된 CPU 및 장치에 따라 달라집니다.
- 호환 가능한 메모리에 대한 자세한 정보는 www.msi.com을 방문하여 알아보시기 바랍니다.

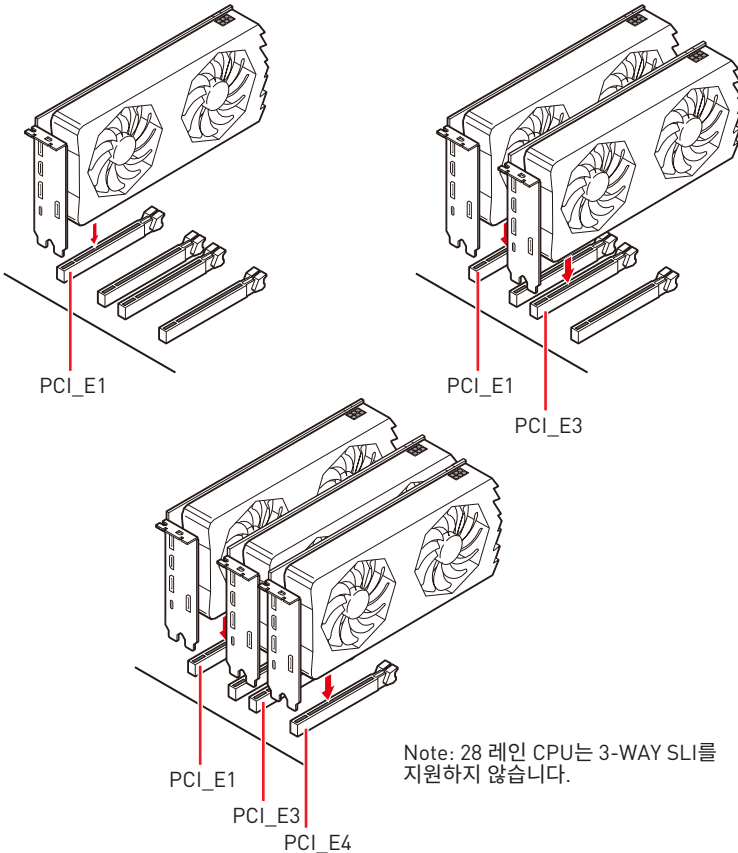
PCI_E1~4: PCIe 확장 슬롯

CPU의 PCIe 레인은 아래 표를 참조하십시오.



CPU	48레인 CPU	44레인 CPU	28레인 CPU
PCI_E1	PCIe x16	PCIe x16	PCIe x16
PCI_E2	PCIe x8	PCIe x4	PCIe x4
PCI_E3	PCIe x16	PCIe x16	PCIe x8
PCI_E4	PCIe x8	PCIe x8	이용불가

다중 그래픽 카드 설치 권장 사항



중요사항

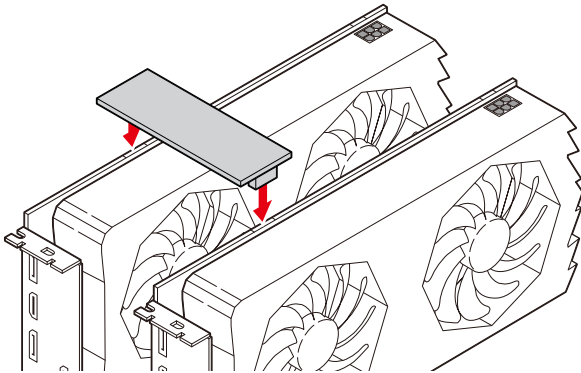
- 크고 무거운 그래픽 카드를 설치할 경우, 그래픽 카드를 안전하게 지지하여 슬롯의 변형을 방지하기 위해 **MSI Gaming Series Graphics Card Bolster** 와 같은 도구를 사용하시기 바랍니다.
- 하나의 PCIe x16 확장 카드를 설치하여 최적의 효과를 원하신다면 **PCI_E1** 슬롯을 사용할 것을 추천합니다.
- 확장 카드를 추가하거나 제거할 때 먼저 전원을 끄거나 전원 코드를 콘센트에서 뽑으세요. 확장 카드에 대해 필요한 하드웨어나 소프트웨어 변경에 대하여 **알려면 확장카드 설명서를 읽으세요.**

SLI 그래픽 카드 설치

SLI 구성을 위한 전원 공급 장치에 대한 모든 시스템 요구사항은 그래픽 카드의 사용 설명서를 참조하시기 바랍니다.

SLI 그래픽 카드 설치:

- 컴퓨터의 전원을 끄고 전원 코드를 분리한 후 2개의 그래픽 카드를 **PCI_E1** 와 **PCI_E3** 슬롯에 각각 설치합니다.
- SLI 브릿지 커넥터**를 사용하여 2개의 그래픽 카드를 연결합니다.

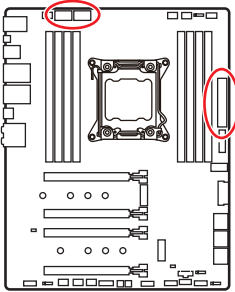


- 그래픽 카드의 모든 PCIe 전원 커넥터를 연결합니다.
- 전원 코드를 다시 연결하고 컴퓨터의 전원을 켜 후 그래픽 카드 패키지에 포함된 드라이버와 소프트웨어를 설치합니다.
- 윈도우 바탕화면에서 마우스의 오른쪽 버튼을 눌러 나타나는 메뉴에서 **NVIDIA Control Panel**을 선택합니다. 왼쪽 작업창에서 **Configure SLI, Surround, PhysX**를 클릭하고 SLI 구성 메뉴에서 **Maximize 3D performance**를 선택한 후 **Apply**를 클릭하세요.



CPU_PWR1~2, ATX_PWR1: 전원 커넥터

이 커넥터를 사용하여 ATX 전원 공급 장치를 연결할 수 있습니다.



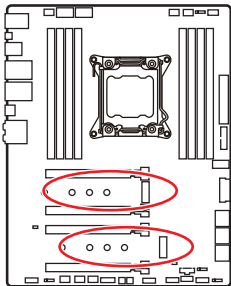
1	Ground	5	+12V
2	Ground	6	+12V
3	Ground	7	+12V
4	Ground	8	+12V

1	+3.3V	13	+3.3V
2	+3.3V	14	-12V
3	Ground	15	Ground
4	+5V	16	PS-ON#
5	Ground	17	Ground
6	+5V	18	Ground
7	Ground	19	Ground
8	PWR OK	20	Res
9	5VSB	21	+5V
10	+12V	22	+5V
11	+12V	23	+5V
12	+3.3V	24	Ground

중요사항

모든 전원 케이블이 ATX 전원 공급 장치에 올바르게 연결되어 메인보드가 안정적으로 작동하는지 확인하세요.

M2_1~2: M.2 슬롯 (Key M)



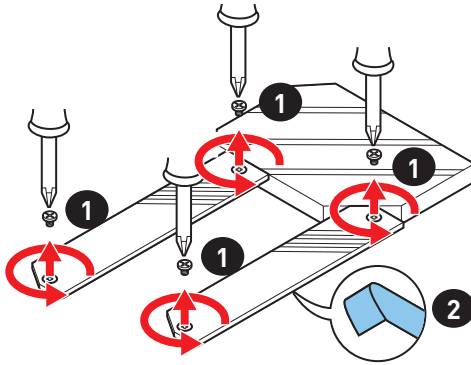
데모 동영상

M.2 모듈을 설치하는 방법을 알아보려면 아래의 웹사이트를 방문하세요.

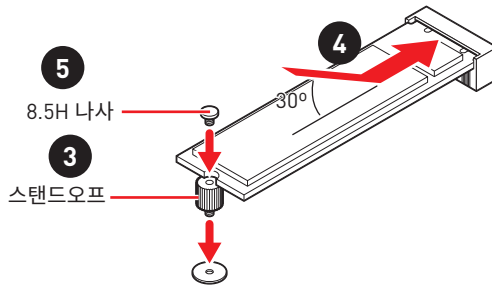
<http://youtu.be/JCTFABytrYA>

M.2 모듈 설치하기

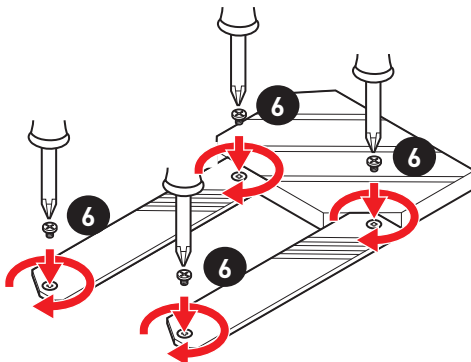
1. M.2 쉴드 FROZR의 나사를 풀어 줍니다.
2. M.2 쉴드 FROZR를 제거하고 열 패드에서 보호 필름을 제거합니다.



3. 필요한 경우 M.2 SSD 길이에 따라 스탠드오프 위치를 이동하십시오.
4. M.2 SSD를 30도 각도로 M.2 슬롯에 삽입합니다.
5. 제공된 M.2 8.5H 나사로 M.2 SSD를 제자리에 고정하십시오.



6. M.2 쉴드 FROZR 히트싱크를 제자리에 놓고 고정하십시오.

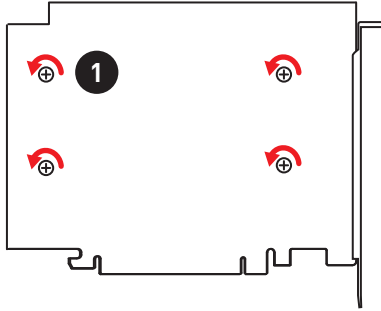


M.2 XPANDER-Z GEN 4 설치하기 (옵션)

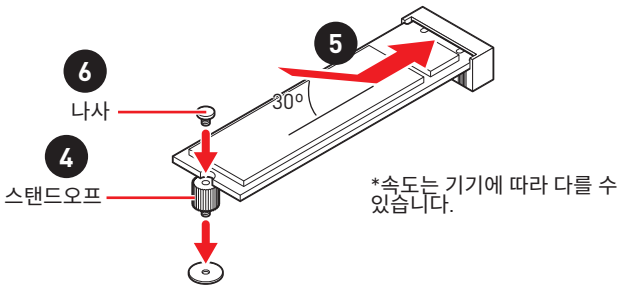
M.2 XPANDER-Z GEN 4 카드는 4개의 M.2 Key-M 슬롯을 제공합니다.

M.2 XPANDER-Z GEN 4 카드 설치하기:

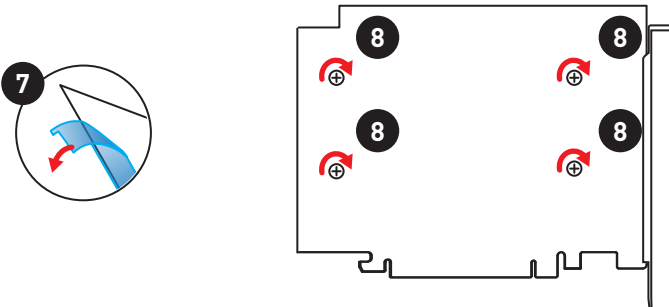
1. M.2 XPANDER-Z GEN 4 바닥의 히트싱크 나사 4개를 풀어 줌으로 히트싱크를 제거합니다.



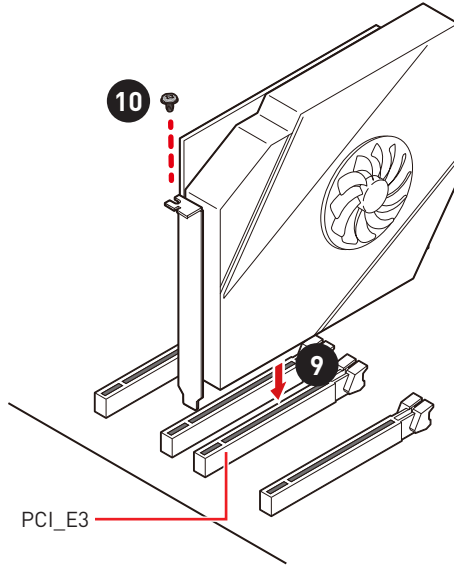
2. M.2 스탠드오프에서 M.2 나사를 풀어줍니다.
3. M.2 스탠드오프를 풀어줍니다.
4. M.2 스탠드오프를 M.2 SSD의 적절한 위치로 이동하여 고정합니다.
5. M.2 SSD를 30도 각도로 M.2 슬롯에 삽입합니다.
6. M.2 나사로 M.2 장치를 제자리에 고정합니다.



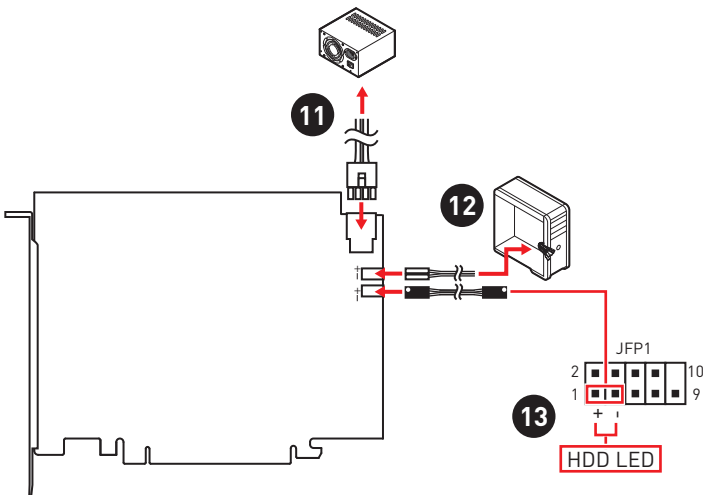
7. 히트 싱크의 열 패드에서 보호 필름을 제거합니다.
8. 히트싱크 나사 4개를 사용하여 히트싱크를 재설치하고 고정시켜줍니다.



9. M.2 XPANDER-Z GEN 4 카드를 **PCI_E3** 슬롯에 삽입합니다.
10. 나사를 사용하여 M.2 XPANDER-Z GEN 4 카드를 고정합니다.

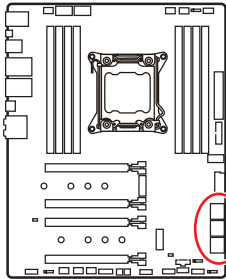


11. PCIE_PWR1를 전원 공급에 연결합니다.
12. 케이스의 HDD LED 케이블을 JCASE 커넥터에 연결합니다.
13. 제공된 HDD LED 케이블을 사용하여 JMB 커넥터와 JFP1의 HDD 핀 (핀 1 & 핀3)을 연결합니다.



SATA1~6: SATA 6Gb/s 커넥터

이 커넥터는 SATA 6Gb/s 인터페이스 포트입니다. 각 커넥터에 하나의 SATA 장치를 연결할 수 있습니다.

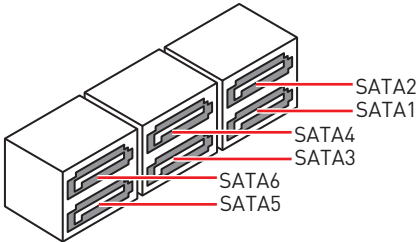


PCI_E2, M2_2 및 SATA2 조합 도표

슬롯	조합			
PCI_E2	설치됨 (CPU Lanes)	설치됨 (CPU Lanes)	무	무
M2_2	PCIe SSD (PCH Lanes)	SATA SSD (PCH Lanes)	SATA SSD (PCH Lanes)	PCIe SSD (CPU Lanes)
SATA2	이용 가능	이용 불가	이용 불가	이용 가능

M2_1 와 SATA1 조합 도표

슬롯	조합	
M2_1	PCIe SSD (PCH Lanes)	SATA SSD (PCH Lanes)
SATA1	이용 가능	이용 불가

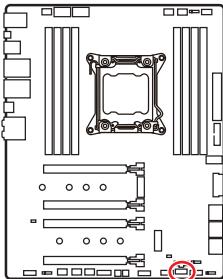


⚠ 중요사항

- SATA 케이블을 90도로 꺾지 마세요. 그럴 경우, 전송 중 데이터가 손상될 수 있습니다.
- SATA 케이블의 양쪽 모두에 동일한 플러그가 있지만 공간 절약을 위해 플랫 커넥터를 메인보드에 연결할 것을 권장합니다.

VRAID1: Virtual RAID on CPU 커넥터

이 커넥터를 사용하여 VROC (Virtual RAID on CPU) 키 모듈을 연결할 수 있습니다. 인텔® RSTe (인텔® Rapid Storage Technology enterprise) 드라이브로 VROC 기능을 활성화해야 합니다.인



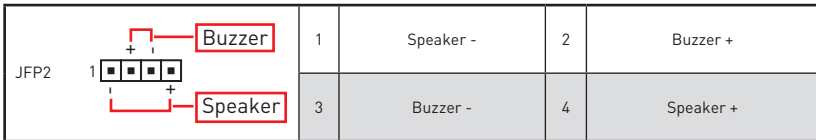
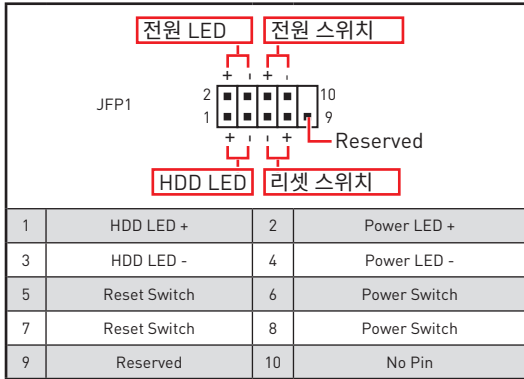
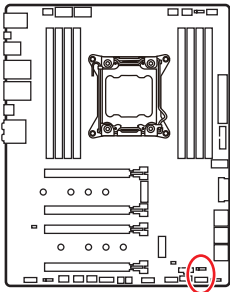
1		2	
1	GND	2	VCC3
3	GND	4	SATA_RAID_KEY

⚠ 중요사항

VROC 키 모듈은 별도로 구입해야 합니다.

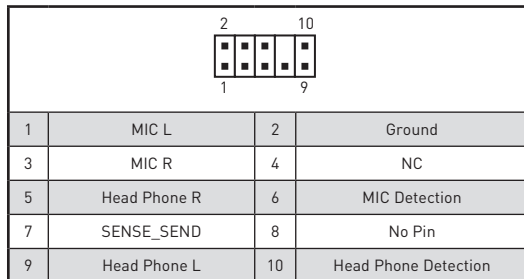
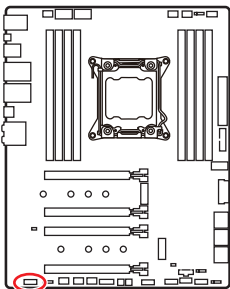
JFP1, JFP2: 전면 패널 커넥터

이 커넥터를 사용하여 전면 패널에 있는 스위치 및 LED를 연결할 수 있습니다.



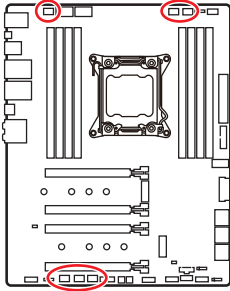
JAUD1: 전면 오디오 커넥터

이 커넥터를 사용하여 전면 패널에 있는 오디오 잭을 연결할 수 있습니다.



CPU_FAN1, PUMP_FAN1, SYS_FAN1~4: 팬 커넥터

팬 커넥터는 PWM (Pulse Width Modulation) 모드와 DC 모드로 분류될 수 있습니다. PWM 모드 팬 커넥터는 12V의 일정한 출력을 제공하고 속도 제어 신호에 따라 팬의 회전 속도를 조정합니다. DC 모드 팬 커넥터는 전압의 변화에 따라 팬의 회전 속도를 제어합니다. 이 메인보드는 PWM과 DC 모드를 자동으로 감지합니다. 그러나 아래 설명에 처럼 팬 커넥터를 PWM 또는 DC 모드로 수동조정할 수 있습니다.

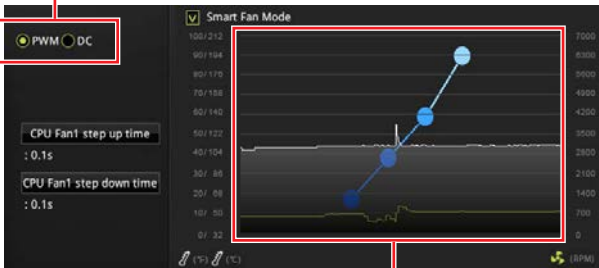


CPU_FAN1/ PUMP_FAN1/ SYS_FAN1~4

팬 모드 전환 및 속도 조정

PWM 모드와 DC 모드 사이에서 전환할 수 있으며 **BIOS > HARDWARE MONITOR(하드웨어 모니터)**로 이동하여 팬 속도를 조정할 수 있습니다.

PWM 모드 또는 DC 모드 선택



CPU 온도에 따라 팬 속도를 단계별 설정 가능합니다.



중요사항

PWM/ DC 모드로 전환한 후, 팬이 제대로 작동하는지 확인하시기 바랍니다.

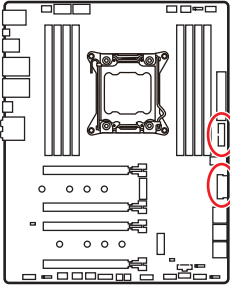
팬 커넥터 핀 정의

PWM 모드 핀 정의			
1	Ground	2	+12V
3	Sense	4	Speed Control Signal

DC 모드 핀 정의			
1	Ground	2	Voltage Control
3	Sense	4	NC

JUSB1, JUSB3: USB 3.2 Gen1 커넥터

이 커넥터를 사용하여 전면 패널의 USB 3.2 Gen1 포트를 연결할 수 있습니다.

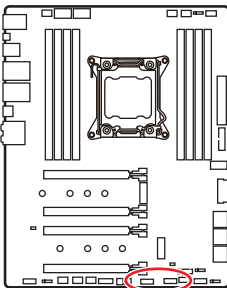


1	Power	11	USB2.0+
2	USB3_RX_DN	12	USB2.0-
3	USB3_RX_DP	13	Ground
4	Ground	14	USB3_TX_C_DP
5	USB3_TX_C_DN	15	USB3_TX_C_DN
6	USB3_TX_C_DP	16	Ground
7	Ground	17	USB3_RX_DP
8	USB2.0-	18	USB3_RX_DN
9	USB2.0+	19	Power
10	NC	20	No Pin

중요사항

전원 및 그라운드 핀을 정확히 연결하여야 손상을 방지할 수 있습니다.

JUSB4~5: USB 2.0 커넥터



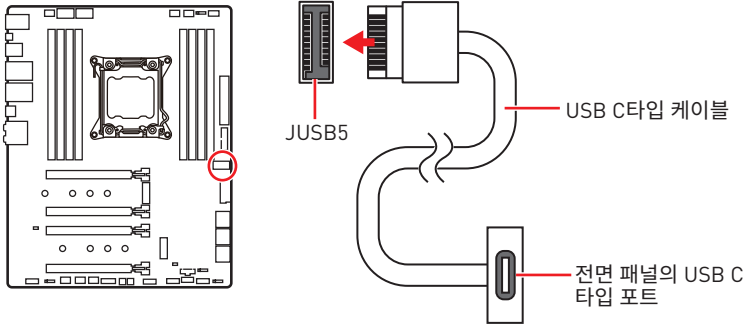
1	VCC	2	VCC
3	USB0-	4	USB1-
5	USB0+	6	USB1+
7	Ground	8	Ground
9	No Pin	10	NC

중요사항

- VCC 및 그라운드 핀을 정확히 연결하여야 손상을 방지할 수 있습니다.
- USB 포트를 통하여 iPad, iPhone 및 iPod를 충전하려면 MSI 드래곤 센터 유틸리티를 설치하시기 바랍니다.

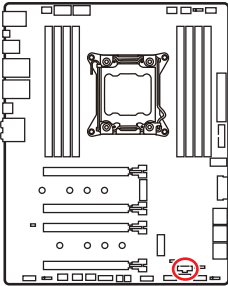
JUSB2: USB 3.2 Gen2 C타입 커넥터

이 커넥터를 사용하여 USB 3.2 Gen2 C타입 커넥터를 연결할 수 있습니다. 이 커넥터는 풀 프루프(footproof)로 작동하도록 디자인되었으며 케이블 연결시 정확한 방향으로 연결하시기 바랍니다.



JTBT1: 썬더볼트 추가 카드 커넥터

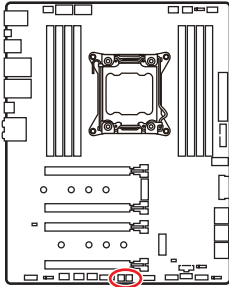
이 커넥터를 사용하여 추가 썬더볼트 입/출력(I/O) 카드에 연결할 수 있습니다.



1			
1	FORCE_PWR	2	SCI_EVENT
3	SLP_S3#	4	SLP_S5#
5	GND		

POWER1, RESET1: 전원 버튼, 리셋 버튼

전원 / 리셋 버튼을 사용하여 시스템 전원을 켜거나 컴퓨터를 리셋합니다.



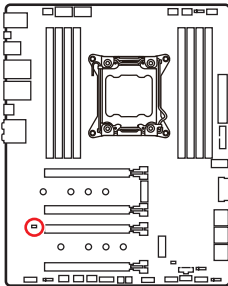
전원 버튼



리셋 버튼

JBAT1: CMOS (Reset BIOS) 클리어 점퍼

보드에 시스템 구성 데이터를 유지하기 위해 외부 배터리로부터 전원을 공급 받는 CMOS 메모리가 있습니다. 시스템 구성을 지우려면 점퍼를 아래와 같이 설정하여 CMOS 메모리를 지우세요.



데이터 유지
(기본 설정)



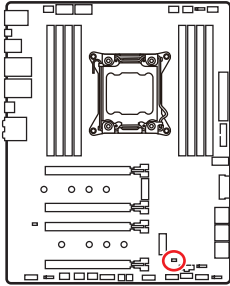
CMOS클리어/
BIOS 리셋

기본 값으로 BIOS 리셋하기

1. 컴퓨터의 전원을 끈 후 전원 콘센트에서 플러그를 뽑습니다.
2. 점퍼 캡을 사용하여 JBAT1을 5-10초간 단락합니다.
3. JBAT1에서 점퍼 캡을 제거합니다.
4. 플러그를 전원 콘센트에 연결한 후 컴퓨터의 전원을 켭니다.

JCI1: 새시 침입 커넥터

이 커넥터를 사용하여 새시 침입 스위치 케이블을 연결할 수 있습니다.



표준 상태
(기본 설정)



새시 침입 이벤트
트리거

새시 침입 탐지기 사용하기

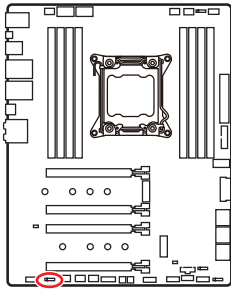
1. JCI1 새시의 새시 침입 스위치/ 센서에 연결합니다.
2. 새시 커버를 닫습니다.
3. BIOS > SETTINGS > Security > Chassis Intrusion Configuration(새시 침입 구성)으로 이동합니다.
4. Chassis Intrusion (새시 침입) 항목을 Enabled(사용)으로 설정합니다.
5. F10키를 눌러 변경 값을 저장하고 종료합니다. Enter키를 누른 후 Yes를 선택합니다.
6. 새시 커버가 다시 열리면 컴퓨터를 켤 때 알람 메시지가 화면에 나타납니다.

새시 침입 알람 재설정하기

1. BIOS > SETTINGS > Security > Chassis Intrusion Configuration(새시 침입 구성)으로 이동합니다.
2. Chassis Intrusion (새시 침입 구성)을 Reset(리셋)으로 설정합니다.
3. F10 키를 눌러 변경 값을 저장하고 종료합니다. Enter 키를 누른 후 Yes를 선택합니다

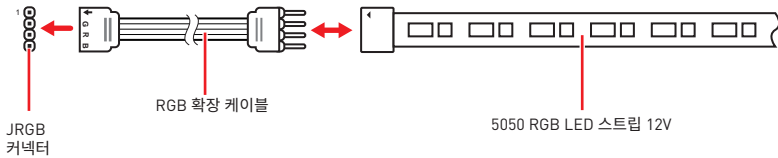
JRGB1: RGB LED 커넥터

JRGB 커넥터를 사용하여 5050 RGB LED 스트립 12V를 연결할 수 있습니다.

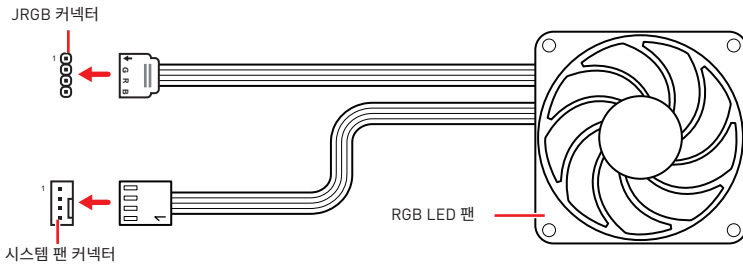


1			
1	+12V	2	G
3	R	4	B

RGB LED 스트립 연결



RGB LED 팬 커넥터

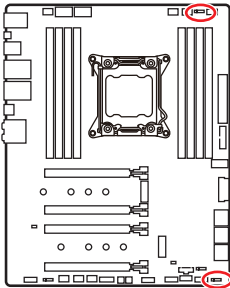


중요사항

- The JRGB 커넥터는 최대 3A (12V) 정격 전력에서 최대 2미터 연속 5050 RGB LED 스트립 (12V/G/R/B)을 지원합니다.
- RGB LED 스트립을 설치 또는 제거하기 전에 항상 전원 공급 장치의 전원을 끄고 전원 코드를 콘센트에서 뽑아주세요.
- MSI 소프트웨어를 사용하여 확장된 LED 스트립을 조정하세요.

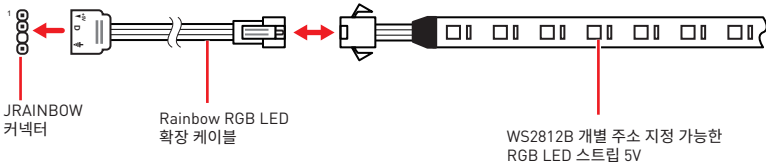
JRAINBOW1~2: 주소 지정 가능한 RGB LED 커넥터

JRAINBOW 커넥터를 사용하여 개별 주소 지정 가능한 WS2812B RGB LED 스트립 5V를 연결할 수 있습니다.

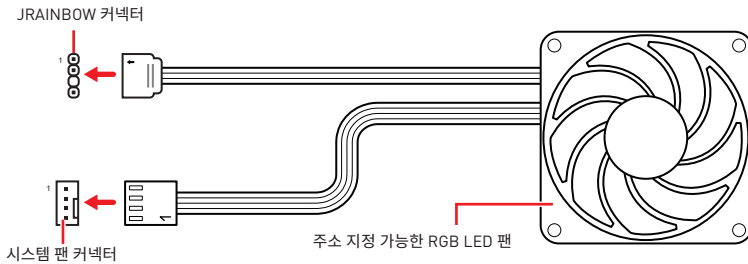


1			
1	+5V	2	Data
3	No Pin	4	Ground

주소 지정 가능한 RGB LED 스트립 커넥터



주소 지정 가능한 RGB LED 팬 연결



주의

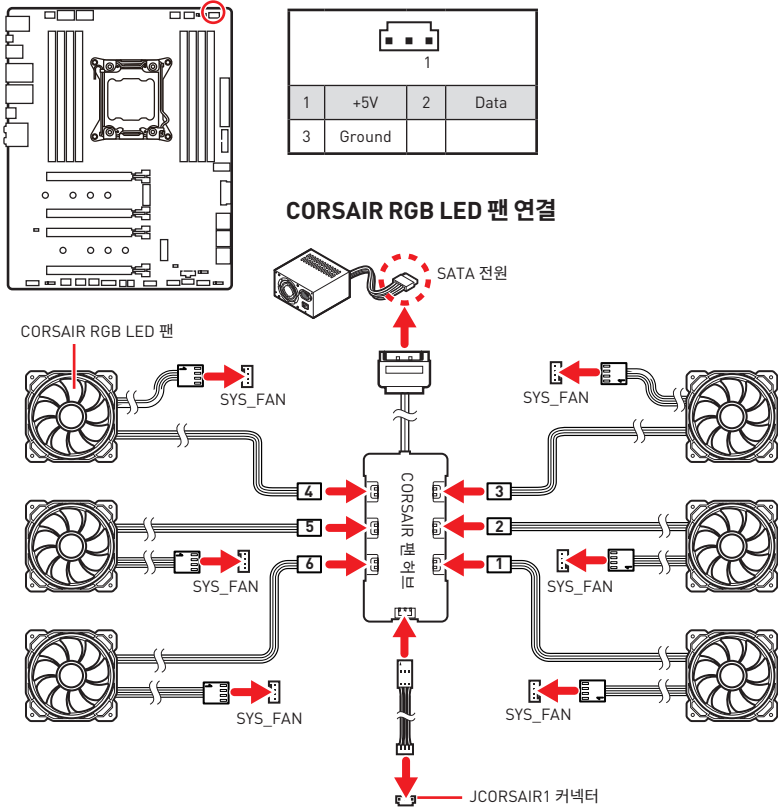
다른 유형의 LED 스트립을 연결하지 마십시오. JRGB 커넥터와 JRAINBOW 커넥터는 다른 전압을 제공하며, 5V LED 스트립을 JRGB 커넥터에 연결하면 LED 스트립이 손상됩니다.

중요사항

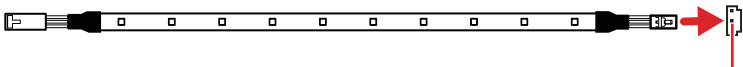
- JRAINBOW 커넥터는 최대 3A(5V) 정격전력에서 최대 75 LED WS2812B 개별 지정 가능한 RGB LED 스트립(5V/Data/Ground)을 지원합니다. 밝기 20%의 경우에 커넥터는 최대 200 개의 LED를 지원합니다.
- RGB LED 스트립을 설치 또는 제거하기 전에 항상 전원 공급 장치의 전원을 끄고 전원 코드를 콘센트에서 뽑아주세요.
- MSI 소프트웨어를 사용하여 확장된 LED 스트립을 조정하세요.

JCORSAIR1: CORSAIR 커넥터

JCORSAIR1 커넥터는 CORSAIR 개별 주소 지정 가능한 RGB LED 스트립 5V 또는 CORSAIR RGB LED 팬을 CORSAIR 팬 허브와 연결할 수 있습니다. 모든 항목이 제대로 연결되면, CORSAIR RGB LED 스트립과 팬을 MSI 소프트웨어와 함께 조정할 수 있습니다.



CORSAIR 라이팅 노드 PRO 연결



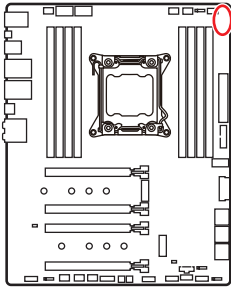
⚠️ 중요사항

- 팬들은 반드시 1에서 시작해서 순서대로 연결되어야 합니다. 1 > 2 > 3 > 4 > 5 > 6. 순서대로 연결되지 않은 팬은 통신을 차단할 것이고 RGB LED 조명 기능도 작동하지 않습니다.
- 지원되는 RGB LED 팬과 RGB LED 라이팅 PRO 스트립의 수는 모델마다 다를 수 있습니다. 마더보드 사양을 참조하세요.
- CORSAIR RGB LED 팬과 CORSAIR 라이팅 노드 PRO는 동시에 사용해서는 안됩니다.

온보드 LEDs

EZ 디버그 LED

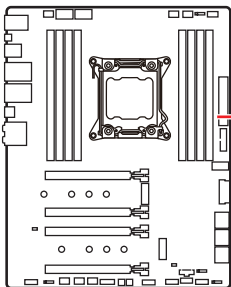
이 LED는 메인보드의 디버그 상태를 나타냅니다.



- CPU** - CPU가 감지되지 않거나 고장났음을 나타냅니다.
- DRAM** - DRAM이 감지되지 않거나 고장났음을 나타냅니다.
- VGA** - GPU가 감지되지 않거나 고장났음을 나타냅니다.
- BOOT** - 부팅 장치가 감지되지 않거나 고장났음을 나타냅니다.

XMP LED

이 LED는 XMP (Extreme Memory Profile)모드가 활성화되었음을 나타냅니다.



XMP LED

OS, 드라이버 & 유틸리티 설치하기

공식 웹사이트 www.msi.com 을 방문하여 최신 버전의 유틸리티와 드라이버를 다운로드 및 업데이트하세요 .

Windows® 10 설치하기

1. 컴퓨터의 전원을 켭니다 .
2. Windows® 10 설치 디스크 /USB 를 컴퓨터에 삽입합니다 .
3. 컴퓨터 케이스의 **Restart** 버튼을 누릅니다 .
4. 컴퓨터가 POST(Power-On Self Test) 하는 동안 **F11** 키를 눌러 부팅 메뉴로 이동합니다 .
5. 부팅 메뉴에서 Windows® 10 설치 디스크 /USB 를 선택합니다 .
6. 화면에 **Press any key to boot from CD or DVD...** 라는 메시지가 나타나면 임의의 키를 누릅니다 .
7. 화면에 나타나는 설명에 따라 Windows® 10 운영 체제를 설치합니다 .

드라이버 설치하기

1. Windows® 운영 체제에서 컴퓨터를 시작합니다 .
2. MSI® 드라이버 디스크를 광학 드라이브에 삽입합니다 .
3. **Select to choose what happens with this disc** 팝업 알림을 클릭하고 , **Run DVDSetup.exe** 을 선택하여 설치 프로그램을 엽니다 . 제어판에서 자동 실행 기능을 해제한 경우에도 MSI 드라이버 디스크의 루트 경로를 통해서 수동으로 **DVDSetup.exe** 를 실행할 수 있습니다 .
4. **Drivers/Software** 탭에서 필요한 모든 드라이버를 찾아내고 목록이 나타납니다 .
5. 윈도우의 하단 오른쪽 코너에 **Install** 버튼을 누릅니다 .
6. 드라이버 설치가 진행됩니다 . 설치가 완료되면 다시시작하라는 메시지가 나타납니다 .
7. **OK** 버튼을 눌러 설치를 완료합니다 .
8. 컴퓨터를 다시시작합니다 .

유틸리티 설치하기

유틸리티를 설치하기 전에 드라이버 설치가 완료되어야 합니다 .

1. 위에 설명된 대로 설치 관리자를 엽니다 .
2. **Utilities** 탭을 클릭합니다 .
3. 설치하려는 유틸리티를 선택합니다 .
4. 윈도우 하단 오른쪽 코너의 **Install** 버튼을 누릅니다 .
5. 유틸리티 설치가 진행됩니다 . 설치가 완료되면 다시시작하라는 메시지가 나타납니다 .
6. **OK** 버튼을 눌러 설치를 완료합니다 .
7. 컴퓨터를 다시시작합니다 .

BIOS 설정

기본 설정은 일반적인 조건에서 시스템의 안정성을 위해 최적의 성능을 제공합니다. BIOS에 익숙하지 않을 경우, 시스템 손상 또는 부팅 실패를 방지하기 위해 **항상 기본 설정을 유지**하기 바랍니다.



중요사항

- BIOS 항목은 시스템 성능 향상을 위해 지속적으로 업데이트됩니다. 따라서 여기에 제공된 설명은 최신 BIOS와 조금 상이할 수 있으므로 참조용으로만 사용하십시오. 또한 BIOS 항목에 대해서는 **HELP(도움말)**의 설명을 참고할 수 있습니다.
- 여기에 제공된 그림은 참조용일 뿐이며 구매한 제품에 따라 다를 수 있습니다.

BIOS 설정

아래의 방법을 참조하여 BIOS 설정으로 이동하십시오.

- 부팅 과정에서 화면에 **DEL 키를 눌러 설정 메뉴로, F11 키를 눌러 부팅메뉴로 이동**이라는 메시지가 나타나면 **Delete** 키를 누르세요.
- **MSI 드래곤 센터** 애플리케이션에서 **G02BIOS** 버튼을 클릭한 후 **OK(확인)**를 선택하십시오. 시스템이 재부팅되며 BIOS 설정으로 직접 이동하게 됩니다.

기능 키

- F1:** 도움말
- F2:** 즐겨찾기 항목 추가/삭제
- F3:** 즐겨찾기 메뉴로 이동
- F4:** CPU 규격 메뉴로 이동
- F5:** Memory-Z(메모리-Z) 메뉴로 이동
- F6:** 최적의 기본값 불러오기
- F7:** 고급 모드와 EZ 모드 사이에서 전환
- F8:** 오버클로킹 프로파일 로드
- F9:** 오버클로킹 프로파일 저장
- F10:** 변경값 저장 및 리셋*
- F12:** 화면을 캡처한 후 USB 플래시 드라이브에 저장(FAT/ FAT32 포맷 전용).

Ctrl+F: 검색 페이지로 이동

* F10키를 누르면 확인 대화창이 나타나며 변경사항에 대한 정보를 제공합니다. Yes(예) 또는 No(아니요)를 클릭하여 선택을 확인합니다.

BIOS(바이오스) 리셋

문제 해결을 위해 BIOS 기본 설정을 복원해야할 경우가 나타날 수 있습니다. BIOS를 리셋하는 방법에는 다음과 같은 몇가지가 있습니다.:

- BIOS로 이동한 후 **F6** 키를 눌러 최적화된 기본 값을 로드합니다.
- 메인보드의 **CMOS 클리어** 점퍼/버튼을 단락시킵니다.



중요사항

CMOS 데이터를 삭제하기 전에 컴퓨터 전원이 꺼져 있는지 확인해야 합니다. BIOS를 재설정하려면 **CMOS 클리어** 점퍼 섹션을 참조하세요.

BIOS(바이오스) 업데이트

M-FLASH로 BIOS 업데이트

업데이트 하기 전:

구입한 모델에 맞는 최신 BIOS 파일을 MSI 웹사이트에서 다운로드한 후 BIOS 파일을 USB 플래시 드라이브에 저장합니다.

BIOS 업데이트:

1. 업데이트 파일이 들어있는 USB 플래시 드라이브를 컴퓨터에 삽입합니다.
2. 플래쉬 모드를 시작하려면 다음 방법을 참조하십시오.
 - POST 중에 재부팅하고 **Ctrl + F5** 키를 누른 다음 **Yes**를 클릭하여 시스템 재부팅하십시오.
 - BIOS(바이오스)를 들어가기 위해 POST 동안 재부팅하고 **Del** 키를 누릅니다. **M-FLASH** 버튼을 클릭하고 **Yes**를 클릭하여 시스템을 재부팅합니다.
3. BIOS 파일을 선택하여 BIOS 업데이트 프로세스를 진행합니다.
4. 100%로 완료되면 시스템이 자동으로 재부팅됩니다.

MSI 드래곤 센터로 BIOS 업데이트

업데이트 하기 전:

LAN 드라이버가 이미 설치되어 있고 인터넷이 제대로 연결되었는지 확인하세요.

BIOS 업데이트:

1. MSI 드래곤 센터를 설치 및 시작합니다.
2. **BIOS Update**를 선택합니다.
3. **Scan** 버튼을 클릭합니다.
4. **Download** 아이콘을 클릭하여 최신 BIOS 파일을 다운로드한 후 설치합니다.
5. **Next**를 클릭하고 **In Windows mode**를 선택한 후 **Next** 및 **Start**를 클릭하여 BIOS를 업데이트하기 시작합니다.
6. 100%로 완료되면 시스템이 자동으로 재부팅됩니다.

EZ 모드

EZ 모드는 시스템의 기본 정보를 제공하고 시스템의 기본 설정을 구성할 수 있습니다. 고급 BIOS 설정을 구성하려면 **설정 모드 스위치** 또는 **F7** 기능 키를 눌러 고급 모드로 이동하십시오.



- **OC GENIE 4 스위치** - OC GENIE 4를 OC로 전환하려면 클릭하십시오.

! 중요사항

OC GENIE 4 기능을 활성화한 후 최적의 성능과 시스템 안정성을 유지하기 위해 OC 메뉴에서 값을 수정하거나 기본값을 로드하지 말 것을 권장합니다.

- **XMP 스위치** - 안쪽 원을 클릭하여 XMP(Extreme Memory Profile) 기능을 활성화/비활성화합니다. 바깥 원으로 전환하여 X.M.P. 프로파일을 선택합니다. 이 스위치는 X.M.P. 지원 메모리 모듈이 설치된 경우에만 사용할 수 있습니다.
- **설정 모드 스위치** - 이 탭 또는 **F7** 키를 눌러 고급 모드와 EZ 모드 사이에서 전환할 수 있습니다.
- **스크린샷** - 이 탭 또는 **F12** 키를 눌러 화면을 캡처한 후 USB 플래시 드라이브에 저장합니다 (FAT/FAT32 포맷 전용).
- **검색** - 이 탭을 클릭하거나 **Ctrl+F** 키를 동시에 누르면 검색 페이지가 나타납니다. BIOS 항목 이름으로 검색할 수 있으며 항목 이름을 입력하면 리스트가 나타납니다. 마우스를 빈 공간으로 이동하고 마우스 오른쪽 버튼을 눌러 검색 페이지를 종료합니다.

! 중요사항

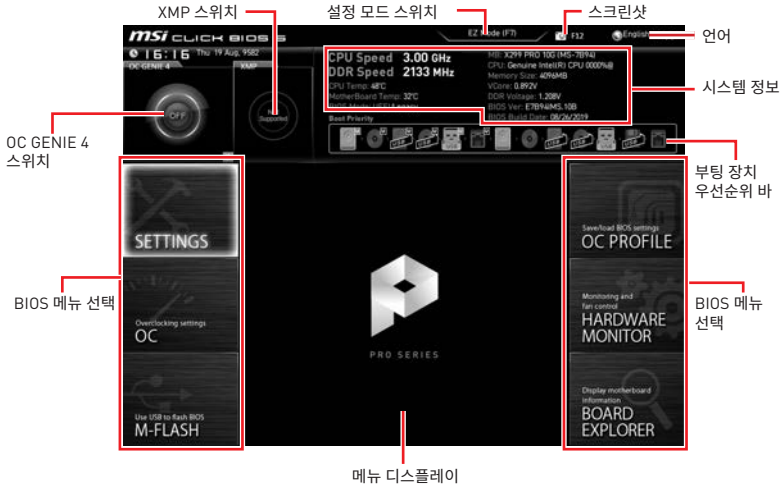
검색 페이지에서는 **F6**, **F10** 및 **F12** 기능 키만 사용 가능합니다.

- **언어** - 바이오스 설정 시, 필요한 언어를 선택할 수 있습니다.
- **시스템 정보** - CPU/DDR 속도, CPU/MB 온도, MB/CPU 타입, 메모리 용량, CPU/DDR 전압, BIOS 버전 및 시스템 구축 날짜 등 정보를 표시합니다.
- **부팅 장치 우선순위 바** - 장치 아이콘을 이동하여 부팅 순위를 변경합니다. 왼쪽에서부터 오른쪽으로 가면서 낮아지는 순위입니다.

- **시스템 정보** - CPU/DDR 속도, CPU/MB 온도, MB/CPU 타입, 메모리 용량, CPU/DDR 전압, BIOS 버전 및 시스템 구축 날짜 등 정보를 표시합니다.
- **기능 버튼** - 관련 키를 클릭하여 **LAN Option ROM, M.2/Optane Genie, Hardcore Mode, AHCI/RAID, Indication LED Control** 및 **RGB Light Control** 기능을 활성화 또는 비활성화할 수 있습니다.
- **M-플래쉬** - 이 버튼을 클릭하면 **M-Flash** 메뉴가 나타납니다. 이 메뉴는 USB 플래시 드라이브로 BIOS를 업데이트하는 방법을 제공합니다.
- **하드웨어 모니터** - 이 버튼을 누르면 **Hardware Monitor** 메뉴가 나타나며 이 메뉴에서 퍼센트수로 팬 회전 속도를 수동으로 제어할 수 있습니다.
- **즐거찾기 -즐거찾기 탭 또는 F3키를 눌러 즐겨찾기 메뉴로 이동합니다.** BIOS 즐겨찾기 메뉴를 만들어 자주 사용하는 BIOS 설정 항목을 저장한 후 직접 액세스할 수 있습니다.
 - **Default HomePage** - BIOS 메뉴 (예를 들어 설정, OC...등)을 선택하여 BIOS 홈페이지로 설정할 수 있습니다.
 - **Favorite1~5** - 자주 사용하는 BIOS 설정 항목을 하나의 페이지에 추가할 수 있습니다.
 - **즐거찾기 페이지에 BIOS 항목을 추가하기 (Favorite 1~5)**
 1. BIOS 메뉴 또는 검색 페이지에서 마우스를 BIOS 항목에 가져다 놓습니다.
 2. 마우스의 오른쪽 버튼 또는 **F2** 키를 클릭합니다.
 3. 즐겨찾기 페이지를 선택한 후 **OK**를 클릭합니다.
 - **즐거찾기 페이지에서 BIOS 항목 삭제하기**
 1. 즐겨찾기 페이지에서 삭제하려는 BIOS 항목을 선택합니다. (Favorite 1~5)
 2. 마우스의 오른쪽 버튼 또는 **F2** 키를 클릭합니다.
 3. **Delete**를 선택한 후 **OK**를 클릭합니다.

고급 모드

설정 모드 스위치 또는 F7 기능 키를 누르면 EZ 모드와 고급 모드 사이에서 전환할 수 있습니다.



- BIOS(바이오스) 메뉴 선택** - 다음과 같은 옵션이 제공됩니다.
 - SETTINGS(설정)** - 이 메뉴를 사용하여 칩셋 및 부팅 장치에 대한 설정을 지정할 수 있습니다.
 - OC(오버클로킹)** - 이 메뉴를 사용하여 클럭 및 전압을 조정할 수 있습니다. 클럭이 높아지면 성능이 향상됩니다.
 - M-FLASH(M-플래시)** - 이 메뉴는 USB 플래시 드라이브로 BIOS(바이오스)를 업데이트하는 방법을 제공합니다.
 - OC PROFILE(OC 프로필)** - 이 메뉴는 오버클로킹 프로파일을 설정하는 데 사용됩니다.
 - HARDWARE MONITOR(하드웨어 모니터)** - 이 메뉴는 팬 속도를 설정하고 시스템 전압을 모니터링하는 데 사용됩니다.
 - BOARD EXPLORER(보드 탐색기)** - 이 메뉴는 메인보드에 설치된 장치의 정보를 제공합니다.
- 메뉴 디스플레이** - 이 메뉴는 BIOS 설정 및 구성 정보를 제공합니다.

OC 메뉴

이 메뉴는 메인보드를 오버클럭하려는 고급 사용자를 위한 메뉴입니다.



⚠️ 중요사항

- 이 항목은 고급 사용자만을 위한 항목입니다.
- 오버클로킹은 보증하지 않습니다. 부적절하게 작동하였을 경우 보증이 무효화 되며 컴퓨터 하드웨어가 심각하게 손상될 수 있습니다.
- 오버클로킹에 익숙하지 않은 경우, **OC GENIE 4** 기능을 사용하여 보다 쉽게 오버클로킹 할 것을 권장합니다.
- OC 메뉴의 BIOS 항목은 프로세서에 따라 달라집니다.

▶ OC Explore Mode [Normal]

이 항목을 활성화 또는 비활성화하여 OC 설정의 일반 또는 고급 버전을 나타냅니다.

[Normal] 일반 OC 설정을 제공합니다.

[Expert] 고급 OC 설정을 제공하여 BIOS를 구성합니다.

참조: * 로 고급 모드의 OC 설정을 표시합니다.

▶ CPU Ratio Apply Mode [All Core]*

조정된 CPU 비율에 대한 적용 모드를 설정합니다. 이 항목은 **Turbo Boost**를 지원하는 CPU가 설치된 경우 나타납니다.

[All Core] **CPU Ratio**를 활성화합니다. 모든 CPU 코어는 **CPU Ratio**에서 설정한 동일한 비율로 실행됩니다.

[Per Core] **Core X X of X xxxx MHz**를 활성화합니다. 각 CPU 코어 비율을 개별적으로 설정합니다.

[Turbo Ratio] **X-Core Ration Limit**를 활성화합니다. 이 옵션은 이 기능을 지원하는 CPU가 설치된 경우에만 나타납니다.

▶ X-Core Ratio Limit [Auto]*

다른 활성 코어 숫자에 대한 CPU 비율을 설정할 수 있습니다. 이 항목은 **CPU Ratio Apply Mode(비율 적용 모드)**가 **Turbo Ratio**로 설정된 경우에만 나타납니다.

▶ Adjusted CPU Frequency

이 항목은 조정된 CPU 주파수를 표시합니다. 읽기 전용입니다.

▶ **Core X X of X xxxx MHz [Auto]***

다른 활성 코어 숫자에 대한 CPU 비율을 설정할 수 있습니다. 이러한 항목은 **CPU Ratio Apply Mode[비율 적용 모드]**를 **Per Core[코어당]**모드로 설정한 경우에만 나타납니다.

▶ **CPU Ratio Offset When Running AVX [Auto]**

오프셋 값을 설정하여 CPU 비율을 낮춰 AVX 명령어 세트(AVX instruction set)를 실행할 때 열 확산에 도움이 될 수 있습니다. "Auto"로 설정하면 BIOS는 이 설정을 자동으로 구성합니다. 이 항목은 설치된 CPU가 이 기능을 지원하는 경우 나타납니다.

▶ **Ring Ratio [Auto]**

이 항목을 사용하여 링 비율을 설정할 수 있습니다. 유효한 값의 범위는 설치된 CPU에 따라 달라집니다.

▶ **Adjusted Ring Frequency**

이 항목은 조정된 통합 그래픽 주파수를 표시합니다.(읽기 전용)

▶ **Misc Setting***

Enter, + 또는 - 키를 눌러 CPU 기능과 관련된 다음 3개의 항목을 활성화 또는 비활성화합니다.

▶ **EIST [Enabled]***

이 항목을 사용하여 Enhanced Intel® SpeedStep Technology를 활성화 또는 비활성화합니다.

[Enabled] 시스템이 최고 상태의 성능을 요구하는 경우, 이 기능을 활성화하여 기본 스펙 이상의 성능으로 CPU 클럭을 자동으로 올립니다.

[Disabled] 이 기능을 비활성화합니다.

▶ **Intel Turbo Boost [Enabled]***

이 항목을 사용하여 Intel® Turbo Boost 기능을 활성화 또는 비활성화합니다. 이 항목은 설치된 CPU가 이 기능을 지원하는 경우 나타납니다.

[Enabled] 시스템이 최고 상태의 성능을 요구하는 경우, 이 기능을 활성화하여 기본 스펙 이상의 성능으로 CPU 클럭을 자동으로 올립니다.

[Disabled] 이 기능을 비활성화합니다.

▶ **Enhanced Turbo [Auto]***

모든 CPU 코어에 대한 Enhanced Turbo 기능을 활성화 또는 비활성화하여 CPU 성능을 향상시켜 줍니다.

[Auto] 이 설정은 BIOS에서 자동으로 구성됩니다.

[Enabled] 모든 CPU 코어가 최대 터보 비율로 증가됩니다.

[Disabled] 이 기능을 비활성화합니다.

▶ **CPU Base Clock (MHz)**

이 항목을 사용하여 CPU 베이스 클럭을 설정할 수 있습니다. 값을 조정하여 CPU를 오버클럭할 수 있지만 오버클로킹의 작동이나 안정성은 보증하지 않습니다. 이 항목은 설치된 CPU가 이 기능을 지원하는 경우 나타납니다.

▶ **CPU Base Clock Apply Mode [Auto]***

이 항목을 사용하여 조정된 CPU 베이스 클럭의 적용 모드를 설정합니다.

[Auto] 이 설정은 BIOS에서 자동으로 구성됩니다.

[Next Boot] CPU는 다음 부팅시 조정된 CPU 베이스 클럭을 실행합니다.

[Immediate] CPU는 즉시 조정된 CPU 베이스 클럭을 실행합니다.

▶ Extreme Memory Profile (X.M.P.) [Disabled]

X.M.P. (Extreme Memory Profile) 는 메모리 모듈을 사용하는 오버클로킹 기술입니다. XMP 를 활성화하거나 메모리 모듈의 프로파일을 선택하여 메모리를 오버클로킹할 수 있습니다. 이 항목은 X.M.P. 기술을 지원하는 메모리 모듈이 설치된 경우 사용할 수 있습니다.

▶ DRAM Reference Clock [Auto]*

이 항목을 사용하여 DRAM 참조 클럭을 설정할 수 있습니다. 유효한 값 범위는 설치된 CPU에 따라 달라지며 본 항목은 이 조정을 지원하는 CPU가 설치된 경우에만 나타납니다.

▶ DRAM Frequency [Auto]

이 항목은 DRAM 클럭을 조정할 수 있습니다. 단, 오버클로킹의 작동이나 안정성은 보증하지 않습니다.

▶ Adjusted DRAM Frequency

이 항목은 조정된 DRAM 클럭을 표시합니다.(읽기 전용)

▶ Load Memory Presets [Disabled]*

Load OC Memory Preset 설정은 설치된 메모리 모듈의 타이밍과 전압을 최적화합니다.



중요사항

메모리 모듈 제조 품질이 다르기 때문에 수동 조정 또는 미세 조정 기본 설정 한도를 계속 사용하는 것이 좋습니다.

▶ Memory Try It ! [Disabled]

이 기능은 최적의 메모리 프리셋을 선택하여 메모리 호환성 또는 성능을 향상시켜 줍니다..

▶ DRAM Timing Mode [Link]

이 항목을 사용하여 메모리 타이밍 모드를 선택합니다.

[Link] 모든 메모리 채널의 DRAM 타이밍을 수동으로 설정할 수 있습니다.

[UnLink] 각 메모리 채널의 DRAM 타이밍을 수동으로 설정할 수 있습니다.

▶ Advanced DRAM Configuration

Enter를 눌러 서브 메뉴를 시작합니다. 사용자는 메모리의 각 채널에 대해 메모리 타이밍을 설정할 수 있습니다. 메모리 타이밍 설정을 변경한 후 시스템이 불안정하거나 부팅되지 않을 수도 있으니 그럴 경우, CMOS 데이터를 삭제하고 기본 설정을 복원하세요. (CMOS 클리어 점퍼/ 버튼 부분의 내용을 참조하여 CMOS 데이터를 삭제하고 BIOS 에서 기본 설정을 로드하세요.)

▶ Memory Fast Boot [Auto]*

매번 부팅할 때 메모리의 트레이닝 개시를 활성화 또는 비활성화합니다.

[Auto] 이 설정은 BIOS에서 자동으로 구성됩니다.

[Enabled] 메모리는 첫번째 시작과 첫 트레이닝을 완전히 모방합니다.이후에 시스템 부팅 시간을 가속화하면서 부팅 할 경우, 메모리는 트레이닝되지 않습니다.

[Disabled] 메모리가 매번 부팅시 시작되거나 트레이닝됩니다.

▶ CPU Voltages control [Auto]

이 옵션 항목을 사용하여 CPU 전압을 설정할 수 있습니다. **Auto**로 설정하면 BIOS는 이 설정을 자동으로 구성하며 수동으로 설정할 수도 있습니다.

▶ **DRAM Voltages control [Auto]**

이 항목을 사용하여 DRAM 과전압 보호 제한 값을 설정할 수 있습니다. **Auto**로 설정하면 BIOS는 이 설정을 자동으로 구성합니다.

▶ **CPU Memory Changed Detect [Enabled]***

이 기능을 활성화 또는 비활성화하여 CPU 또는 메모리가 교체되었을 경우, 시스템 부팅시 경고 메시지가 나타날지를 결정합니다.

[Enabled] 부팅시 경고 메시지가 나타나며 새 장치에 필요한 기본 값을 로드해야 합니다.

[Disabled] 이 기능을 비활성화하는 동시에 현재 BIOS 설정을 유지합니다.

▶ **OC Quick View Timer [3 Sec]***

화면에 표시되는 OC 설정 값의 기간을 설정합니다. 사용 안 함으로 설정된 경우 BIOS에서 OC 설정의 변화를 표시하지 않습니다.

▶ **CPU Specifications**

Enter를 눌러 서브 메뉴를 시작합니다. 이 서브 메뉴는 설치된 CPU의 정보를 표시하며 읽기 전용입니다. 사용자는 언제든지 [F4]키를 눌러 정보 메뉴에 액세스할 수 있습니다.(읽기 전용)

▶ **CPU Technology Support**

Enter를 눌러 서브 메뉴를 시작합니다. 이 서브 메뉴는 설치된 CPU가 지원하는 주요 기능을 표시합니다. (읽기 전용)

▶ **MEMORY-Z**

Enter를 눌러 서브 메뉴를 시작합니다. 이 서브 메뉴는 설치된 메모리의 모든 설정과 타이밍을 표시합니다.사용자는 언제든지 [F5]키를 눌러 정보 메뉴에 액세스할 수 있습니다.

▶ **DIMMA1/A2/B1/B2/C1/C2/D1/D2 Memory SPD**

Enter를 눌러 서브 메뉴를 시작합니다. 이 서브 메뉴는 설치된 메모리의 정보를 표시합니다.(읽기 전용)

▶ **CPU Features**

Enter 를 눌러 서브 메뉴를 시작합니다.

▶ **Hyper-Threading [Enabled]**

이 기술은 프로세서 안의 물리적인 멀티 코어에 여러개의 논리적인 프로세서를 두어 실시간으로 가상적인 연산을 분배할 수 있습니다. 이 방법을 활용하면, 시스템의 연산 능력을 극대화할 수 있습니다. 이 항목은 설치된 CPU가 이 설정을 지원하는 경우 나타납니다.

[Enable] Intel Hyper-Threading 기술을 활성화 함.

[Disabled] 운영 체제가 HT 기능을 지원하지 않으면 비활성화 함.

▶ **Active Processor Cores Control [All]**

이 항목을 사용하여 액티브 CPU 코어의 수를 선택할 수 있습니다.

▶ Limit CPUID Maximum [Disabled]

이 항목을 사용하여 확장 CPUID 값을 활성화 또는 비활성화할 수 있습니다.

[Enabled(사용)] BIOS가 최대 CPUID 입력 값을 제한하여 확장 CPUID 값으로 프로세서를 지원하지 않는 이전 운영체제의 부팅 문제를 해결할 수 있습니다.

[Disabled(사용 안 함)] 실제 최대 CPUID 입력 값을 사용합니다.

▶ Intel Virtualization Tech [Enabled]

이 항목을 사용하여 Intel Virtualization technology(인텔 가상화 기술)를 활성화 또는 비활성화할 수 있습니다.

[Enabled(사용)] 이 기술을 활성화하면 플랫폼이 독립적인 파티션에서 여러 운영체제를 실행할 수 있고 시스템은 여러 개의 가상화 시스템으로 작동됩니다.

[Disabled(사용 안 함)] 이 기능을 비활성화할 수 있습니다.

▶ Intel VT-D Tech [Disabled]

이 항목을 사용하여 Intel VT-D(Intel Virtualization for Directed I/O) 기술을 활성화 또는 비활성화할 수 있습니다.

▶ Hardware Prefetcher [Enabled]

하드웨어 프리페처 (MLC Streamer prefetcher) 기능을 활성화 또는 비활성화할 수 있습니다.

[Enabled(사용)] 하드웨어 프리페처가 자동으로 데이터와 명령을 메모리에서 L2 캐시에 프리 페치하여 CPU 성능을 조정할 수 있습니다.

[Disabled(사용 안 함)] 이 기능을 비활성화할 수 있습니다.

▶ Adjacent Cache Line Prefetch [Enabled]

CPU 하드웨어 프리페처 (MLC Spatial prefetcher) 기능을 활성화 또는 비활성화할 수 있습니다.

[Enabled(사용)] 이 기능을 활성화하여 캐시 지연 시간을 줄이고 특정 응용 프로그램의 성능을 조정할 수 있습니다.

[Disabled(사용 안 함)] 요청된 캐시 라인만 활성화됩니다.

▶ CPU AES Instructions [Enabled]

CPU AES (Advanced Encryption Standard-New Instructions) 지원을 활성화 또는 비활성화할 수 있습니다. 이 항목은 CPU가 이 기능을 지원하는 경우에만 나타납니다.

▶ Intel Adaptive Thermal Monitor [Enabled]

이 기능을 활성화 또는 비활성화하여 CPU의 과열을 방지할 수 있습니다.

[Enabled(사용)] CPU의 온도가 적응 온도보다 높을 경우, CPU 코어의 클럭 속도를 낮춥니다.

[Disabled(사용 안 함)] 이 기능을 비활성화할 수 있습니다.

▶ Intel C-State [Auto]

Intel C-state 기능을 활성화 또는 비활성화할 수 있습니다. C-state는 ACPI에 의해 정의된 프로세서 전원 관리 기술입니다.

[Auto(자동)] 이 설정은 BIOS에서 자동으로 구성됩니다.

[Enabled(사용)] 시스템의 유휴 상태를 감지하고 그에 따라 CPU의 전력 소모를 줄여줍니다.

[Disabled(사용 안 함)] 이 기능을 비활성화할 수 있습니다.

▶ **C1E Support [Disabled]**

C1E 기능을 활성화 또는 비활성화하여 시스템 유휴 상태에서 전력을 절약할 수 있습니다. 이 항목은 **Intel C-State** 기능이 활성화된 경우에만 나타납니다.

[Enabled(사용)] C1E 기능을 활성화하여 CPU 주파수 및 전압을 줄이고 시스템 유휴 상태에서 전력을 절약할 수 있습니다.

[Disabled(사용 안 함)] 이 기능을 비활성화할 수 있습니다.

▶ **Package C State limit [Auto]**

시스템 유휴 상태에서 전력 절약을 위한 CPU C-state 레벨을 선택할 수 있습니다. 이 옵션 C-state 항목은 설치된 CPU에 따라 제공됩니다. 이 항목은 **Intel C-State** 기능이 활성화된 경우에만 나타납니다.

▶ **CFG Lock [Enabled]**

MSR 0xE2[15], CFG 락 비트를 잠금/잠금해제할 수 있습니다.

[Enabled(사용)] CFG 락 비트를 잠글 수 있습니다.

[Disabled(사용 안 함)] CFG 락 비트를 잠금 해제할 수 있습니다.

▶ **Long Duration Power Limit (W) [Auto]**

이 항목은 Turbo Boost(터보 부스트) 모드에서 CPU의 장기간 TDP 전력 제한값을 설정할 수 있습니다.

▶ **Long Duration Maintained (s) [Auto]**

이 항목은 장기간 전력 제한(W)의 유지 시간을 설정할 수 있습니다.

▶ **Short Duration Power Limit (W) [Auto]**

이 항목은 Turbo Boost(터보 부스트) 모드에서 CPU의 단기간 TDP 전력 제한값을 설정할 수 있습니다.

▶ **CPU Current Limit (A) [Auto]**

Turbo Boost(터보 부스트) 모드에서 CPU 패키지의 최대 전류 제한값을 설정할 수 있습니다. 전류가 지정된 제한값을 초과할 경우, CPU는 자동으로 코어 주파수를 낮춰 전류를 줄여줍니다.

▶ **Internal VR OVP OCP Protection [Auto]**

CPU 내장 VR (Voltage Regulator)에 대한 과전압 보호 및 과전류 보호 기능을 활성화 또는 비활성화합니다. 이 항목은 이 기능을 지원하는 CPU가 설치된 경우에만 나타납니다.

[Auto] 이 설정은 BIOS에서 자동으로 구성됩니다.

[Enabled] 내장 VR의 과전압 보호 및 과전류 보호 제한 값을 설정합니다.

[Disabled] 오버클럭킹을 위해 이 기능을 비활성화합니다.

▶ **Internal VR Efficiency Management [Auto]**

CPU 내장 VR 효율성 관리 기능을 활성화 또는 비활성화합니다. 이 항목은 이 기능을 지원하는 CPU가 설치된 경우에만 나타납니다.

[Auto] 이 설정은 BIOS에서 자동으로 구성됩니다.

[Enabled] VR 효율 관리 기능을 활성화하여 에너지를 절약할 수 있습니다.

[Disabled] 이 기능을 비활성화합니다.

目錄

安全說明	3
主機板規格	4
JCORSAIR1 接頭規格	9
包裝內容	9
背板 I/O	10
網路連接埠 LED 燈狀態表	10
音效連接埠設置	10
Realtek 音效控制台	11
元件總覽	13
處理器腳座	14
DIMM 插槽	15
PCI_E1~4: PCIe 擴充插槽	17
CPU_PWR1~2, ATX_PWR1: 電源接頭	19
M2_1~2: M.2 插槽 (M 鍵)	19
安裝 M.2 XPANDER-Z GEN 4 卡(可選配置)	21
SATA1~6: SATA 6Gb/s 插孔	23
VRAID1: CPU 虛擬架構 RAID 接頭.....	23
JFP1, JFP2: 系統面板接頭.....	24
JAUD1: 前置音效插孔	24
CPU_FAN1, PUMP_FAN1, SYS_FAN1~4: 風扇電源接頭.....	25
JUSB1, JUSB3: USB 3.2 Gen1 接頭.....	26
JUSB4~5: USB 2.0 接頭	26
JUSB2: USB 3.2 Gen2 Type-C 接頭	27
JTBT1: Thunderbolt 擴充卡接頭	27
POWER1, RESET1: 電源按鈕、重新開機按鈕	28
JBAT1: 清除 CMOS (重置 BIOS) 功能跳線	28
JCI1: 機殼開啟接頭	29
JRGB1: RGB LED 接頭	30
JRAINBOW1~2: 可定址 RGB LED 接頭	31
JCORSAIR1: CORSAIR 接頭	32
內建 LED 指示燈	33
EZ 偵錯 LED 指示燈	33
XMP LED 指示燈	33
安裝作業系統、驅動程式、及工具軟體	34
安裝 Windows® 10	34
安裝驅動程式	34
安裝工具軟體	34

BIOS 設定	35
進入 BIOS 設定.....	35
重設 BIOS.....	36
更新 BIOS.....	36
EZ 模式.....	37
進階模式.....	39
OC 功能表.....	40

安全說明

- 本包裝內所含的組件可能因靜電 (ESD) 受到損壞。請務必依循以下指示，以確保能成功組裝電腦。
- 請確定所有組件均確實連接妥善。如有鬆脫，可能會造成電腦無法識別該組件或無法啟動電腦。
- 拿取主機板時，請抓主機板的邊緣，以免碰觸到較易損壞的組件。
- 拿取主機板時，建議您戴靜電手環，以免產生靜電損壞主機板。若無靜電手環，請先觸摸其他金屬物品以讓自身放電，再碰觸主機板。
- 若未安裝主機板，請務必將其存放於靜電屏蔽的容器中或置於防靜電桌墊上。
- 開機之前，請先確認主機板上方或機殼內，無任何鬆脫的螺絲或其他金屬組件。
- 安裝完成再開機，以免損壞組件或傷到使用者。以免損壞組件或傷到使用者。
- 若在安裝步驟中需要任何協助，請與通過認證的電腦工程師聯繫。
- 在安裝或移除任何組件前，請務必先將電源供應器關閉，並將電源線由插座拔除。
- 請妥善保存本使用手冊，以便日後參照。
- 務必讓本主機板遠離潮濕與濕氣。
- 將電源供應器連接到插座前，請先確認電源插座供電之伏特數與電源供應器標示的數值相同。
- 請將電源線纜放置於不會受到踩踏的位置，並請不要將任何物體擺放於電源線纜之上。
- 請務必留意主機板所發出的任何警語或警示。
- 若發生以下任何情況，請將主機板送交服務人員進行檢查：
 - 液體滲入電腦。
 - 主機板暴露於潮濕環境。
 - 主機板運作異常，或無法依使用手冊讓主機板回復正常運作。
 - 主機板摔落且受損。
 - 主機板出現明顯破損。
- 請勿將本主機板放置於 60°C (140°F) 以上的環境，否則主機板可能損壞。

主機板規格

支援處理器	支援 LGA2066 架構的 Intel® Core™ X-series 10000/ 9000/ 78xx (以上) 處理器
晶片組	Intel® X299 晶片組
支援記憶體	<ul style="list-style-type: none"> • 8 條 DDR4 記憶體插槽, 支援總合最高 256GB <ul style="list-style-type: none"> ▪ 支援 DDR4 4200+(OC)/ 4000(OC)/ 3800 (OC)/ 3733(OC)/ 3600(OC)/ 3466(OC)/ 3400(OC)/ 3333(OC)/ 3300(OC)/ 3200(OC)/ 3000(OC)/ 2933/ 2666/ 2400/ 2133 MHz* • 支援 4 通道記憶體架構 • 支援 Intel® Extreme Memory Profile (XMP) • 支援 non-ECC UDIMM 記憶體 • 支援無緩衝記憶體 <p>* 請連結至 http://www.msi.com 以查閱更多最新資訊。 ** 請參閱 DIMM 插槽部分內容以查閱更多詳細資訊。</p>
擴充插槽	<ul style="list-style-type: none"> • 4 個 PCIe 3.0 x16 插槽 <ul style="list-style-type: none"> ▪ 搭載 48 通道 CPU 時, 可支援 x16/x8/x16/x8 模式*。 ▪ 搭載 44 通道 CPU 時, 可支援 x16/x4/x16/x8 模式*。 ▪ 搭載 28 通道 CPU 時, 可支援 x16/x4/x8/x0 模式*。 <p>* 請參閱第 17 頁查閱 PCIe 3.0 頻寬表。</p>
支援多顯示卡	<ul style="list-style-type: none"> • 支援 NVIDIA® SLI™ 技術 • 支援 AMD® CrossFire™ 技術
網路	<ul style="list-style-type: none"> • 1 個 Intel I219-V Gigabit 網路控制器* • 1 個 Realtek RTL8125-CG 2.5G 網路控制器 • 1 個 Aquantia® AQC107 10-Gigabit 網路卡 (X299 PRO 10G) <p>* I219 網路不支援 G3 to S5 Wake。</p>
儲存	<p>Intel® X299 晶片組</p> <ul style="list-style-type: none"> • 6 個 SATA 6Gb/s 連接埠* • 2 個 M.2 插槽 (M 鍵) <ul style="list-style-type: none"> ▪ 最高可支援 PCIe 3.0 x4 和 SATA 6Gb/s, 2242/ 2260/ 2280/ 22110 規格儲存裝置** ▪ Intel® Optane™ Memory 技術*** <p>* 當 SATA M.2 SSD 安裝到 M2_1 插槽時, SATA1 接頭將不可用。 ** M2_2 預設設定是 CPU 通道。但是, 當 PCIe 擴充卡安裝到 PCI_E2 插槽時, M2_2 將自動切換到 PCH 通道。 ** 當 M2_2 設定為 PCH 通道, 同時 M.2 SATA SSD 安裝到 M2_2 插槽時, SATA2 接頭將不可用。 *** M2_2 透過切換到 PCH 通道以支援 Intel® Optane™ Memory。</p>

接下頁

承前頁

RAID	<p>Intel® X299 晶片組</p> <ul style="list-style-type: none"> • 支援以 SATA 儲存裝置創建 RAID 0, RAID 1, RAID 5 和 RAID 10 • 支援以 M.2 PCIe 儲存裝置創建 RAID 0 和 RAID 1
USB 連接埠	<p>ASMedia® ASM3242 晶片組</p> <ul style="list-style-type: none"> ▪ 1 個 USB 3.2 Gen2x2 (SuperSpeed USB 20 Gbps) Type-C 連接埠位於背板 <p>ASMedia® ASM3142 晶片組</p> <ul style="list-style-type: none"> ▪ 1 個 USB 3.2 Gen2 (SuperSpeed USB 10Gbps) Type-C 連接埠透過板載接頭提供 <p>Intel® X299 晶片組</p> <ul style="list-style-type: none"> ▪ 8 個 USB 3.2 Gen1 (SuperSpeed USB) 連接埠 (4 個連接埠位於背板, 4 個連接埠透過板載 USB 接頭提供) ▪ 8 個 USB 2.0 (High-speed USB) 連接埠 (4 個連接埠位於背板, 4 個連接埠透過板載 USB 接頭提供)
音效	<p>Realtek® ALC1220 解碼晶片</p> <ul style="list-style-type: none"> • 7.1 聲道高音質音效 • 支援 S/PDIF 輸出
背板接頭	<ul style="list-style-type: none"> • 1 個 PS/2 鍵盤/滑鼠複合連接埠 • 1 個清除 CMOS 功能按鈕 • 4 個 USB 2.0 Type-A 連接埠 • 4 個 USB 3.2 Gen1 Type-A 連接埠 • 1 個 2.5G LAN (RJ45) 連接埠 • 1 個 1G LAN (RJ45) 連接埠 • 1 個 USB 3.2 Gen2x2 Type-C 連接埠 • 5 個無氧銅音效接頭 • 1 個光纖 S/PDIF 輸出接頭

接下頁

承前頁

<p>內建接頭</p>	<ul style="list-style-type: none"> • 1 個 24-pin ATX 主電源接頭 • 2 個 8-pin ATX 12V 電源接頭 • 6 個 SATA 6Gb/s 接頭 • 2 個 USB 2.0 接頭 (可另支援 4 個 USB 2.0 連接埠) • 2 個 USB 3.2 Gen 1 接頭 (可另支援 4 個 USB 3.2 Gen 1 連接埠) • 1 個 USB 3.2 Gen 2 Type-C 連接埠 • 1 個 4-pin CPU 風扇接頭 • 1 個 4-pin 水冷接頭 • 4 個 4-pin 系統風扇接頭 • 1 個面板音效接頭 • 2 個系統面板接頭 • 1 個 TPM 模組接頭 • 1 個機殼開啟接頭 • 1 個支援 CPU 虛擬架構 RAID 接頭 • 1 個 Thunderbolt 擴充卡接頭
<p>LED 接頭</p>	<ul style="list-style-type: none"> • 1 個 4-pin RGB LED 接頭 • 2 個 3-pin ARGB LED 接頭 • 1 個 3-pin CORSAIR LED 接頭
<p>內建按鈕</p>	<ul style="list-style-type: none"> • 1 個電源按鈕 • 1 個重新開機按鈕
<p>跳線</p>	<ul style="list-style-type: none"> • 1 個清除 CMOS 功能跳線
<p>除錯 LED 燈</p>	<ul style="list-style-type: none"> • 4 個 EZ Debug LED 燈
<p>I/O 控制器</p>	<p>NUVOTON NCT6797 控制晶片</p>
<p>硬體監控</p>	<ul style="list-style-type: none"> • CPU/ 系統溫度偵測 • CPU/ 系統風扇速度偵測 • CPU/ 系統風扇速度控制
<p>尺寸</p>	<ul style="list-style-type: none"> • ATX • 12 x 9.6 英吋 (30.5 x 24.4 公分)

接下頁

承前頁

BIOS 功能	<ul style="list-style-type: none">• 1 個 128 Mb flash• UEFI AMI BIOS• ACPI 6.1, SMBIOS 3.0• 多國語
軟體	<ul style="list-style-type: none">• 驅動程式• DRAGON CENTER• CPU-Z MSI GAMING• Google Chrome™\Google 工具列\Google 雲端硬碟• Norton™ Internet Security Solution
Dragon Center 特色	<ul style="list-style-type: none">• Mystic Light• Hardware Monitor• True Color• Live Update• Speed Up• Smart Tool• Super Charger <div data-bbox="657 563 785 691"></div> <p data-bbox="653 710 923 767">請連結至 http://download.msi.com/manual/mb/DRAGONCENTER2.pdf 以查閱更多資訊。</p>
專屬特色	<ul style="list-style-type: none">• 音效<ul style="list-style-type: none">▪ 第四代音皇技術• 網路<ul style="list-style-type: none">▪ 雙網卡▪ 2.5G 網路▪ 網路頻寬管理軟體▪ 10G 超級網路 (可選擴充卡)• 儲存<ul style="list-style-type: none">▪ Twin Turbo M.2▪ M.2 XPANDER-Z GEN4 (可選擴充卡)• 風扇<ul style="list-style-type: none">▪ 水冷風扇▪ 智慧風扇控制

接下頁

專屬特色

- 散熱
 - 擴充散熱片設計
 - 水冷風扇
- LED 燈
 - 炫彩效果延伸接頭 (RGB)
 - 炫彩效果延伸接頭 (RAINBOW)
 - 炫彩效果延伸接頭 (CORSAIR)
 - 炫彩效果同步技術
 - 除錯 LED 指示燈
- 保護
 - M.2 Shield Frozr
 - PCI-E 鋼鐵裝甲
 - PCI-E 鋼鐵插槽
- 效能
 - 多顯示卡-SLI 技術
 - 多顯示卡-CrossFire 技術
 - DDR4 加速引擎
 - 核心加速引擎
 - USB Type A+C 連接埠
 - Lightning USB
 - Lightning USB 20G
 - 雙倍 CPU Power
- 玩家 / 使用者體驗
 - DRAGON CENTER
 - SPEED UP
 - Total Fan Control
 - 驅動程式線上即時更新軟體
- BIOS
 - 第五代圖形化 BIOS

JCORSAIR1 接頭規格

可支援的 CORSAIR RGB 產品	最大連接數量
Lighting Node PRO LED 燈條	20* * 在亮度為 20% 的情況下
HD120 RGB 風扇	6
SP120 RGB 風扇	6
LL120 RGB 風扇	6

包裝內容

請檢查您的主機板包裝的內容，應包含：

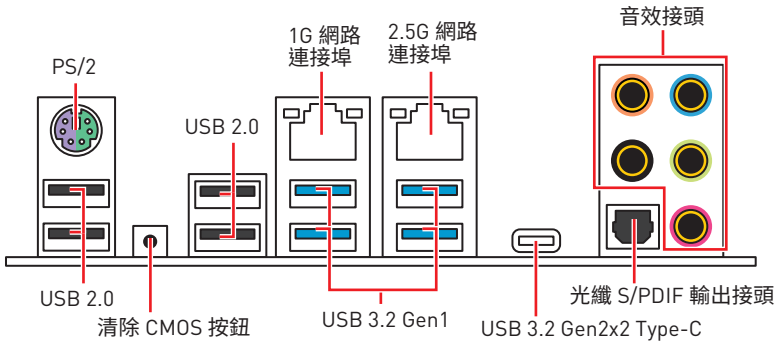
主機板		X299 PRO	X299 PRO 10G
印刷文件	使用說明書	1	1
	機殼螺柱警示夾頁	1	1
	快速安裝指引	1	1
軟體	驅動程式 DVD	1	1
連接線纜	SATA 6Gb/s 連接線	2	2
	LED JRGB Y 連接線	1	1
	LED JCORSAIR 連接線	1	1
	LED JRAINBOW 連接線	1	1
擴充卡	M.2 XPANDER-Z GEN4 卡	—	1
	10G 網路卡	—	1
配件	機殼銘牌	1	1
	SATA 連接線標籤	1	1
	產品註冊卡	1	1
	IO 擋板	1	1
	M.2 螺絲	2	2



重要

如果上述任何物品有損壞或遺失的情況，請與您當地的零售商聯繫。

背板 I/O



- **清除 CMOS 按鈕** - 關閉電腦電源。按住「清除 CMOS」按鈕約 5-10 秒，可將 BIOS 重設為預設值。

網路連接埠 LED 燈狀態表

連線/工作燈號		網路連接埠 LED 燈	速度燈號		
狀態	說明		狀態	說明	
關閉	未連線		關閉	10 Mbps	10 Mbps
開啟	已連線		綠燈	100 Mbps	100 M/ 1G bps
閃爍	資料傳輸中		橘燈	1 Gbps	2.5 Gbps

音效連接埠設置

音效連接埠	聲道			
	2	4	6	8
中置/ 低音輸出			●	●
後置喇叭輸出		●	●	●
音源輸入/ 側邊喇叭輸出				●
音源輸出/ 前置喇叭輸出	●	●	●	●
麥克風輸入				

(●: 已連接, 空白: 未連接)

Realtek 音效控制台

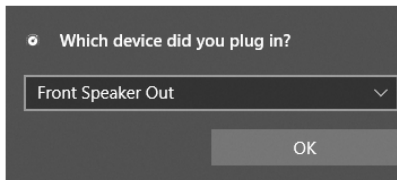
安裝 Realtek 音效控制台後，您可以使用它來更改聲音設定以獲得更好的聲音體驗。



- **裝置選擇** - 讓您選擇音效輸出源，以變更相關設定。勾選符號表示該裝置為預設。
- **應用程式增強** - 這些設定提供輸出及輸入裝置，產生預期音效的完整說明。
- **主音量** - 拖曳調整桿以控制您插入前面板或背板的喇叭的音量或左右平衡。
- **插孔狀態** - 以圖示表示目前已連接到電腦的音效裝置。
- **接頭設定** - 調整連接設定。

自動彈出對話視窗

將裝置插入音效接頭時，系統會自動彈出對話視窗，請選擇您所接上的裝置。

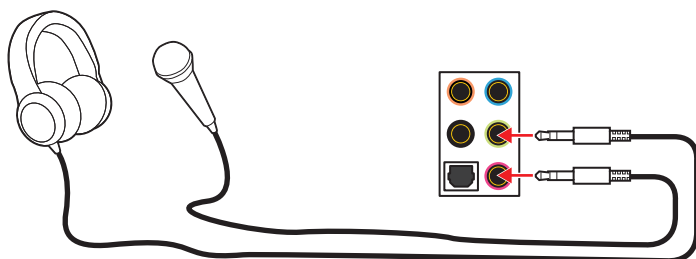


如下一個頁面所顯示的，各個接頭會對應到其預設的設定值。

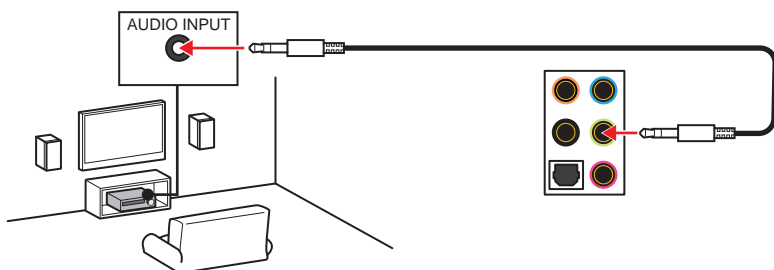


以上圖片僅供參考，可能與您購買的產品有所差異。

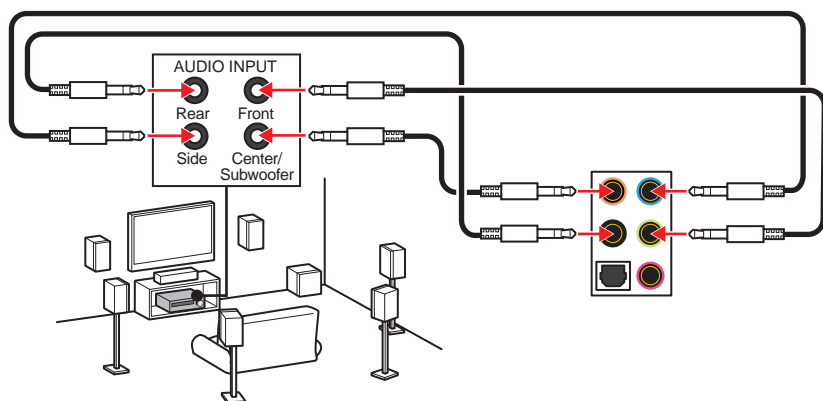
連接耳機與麥克風插孔示意圖



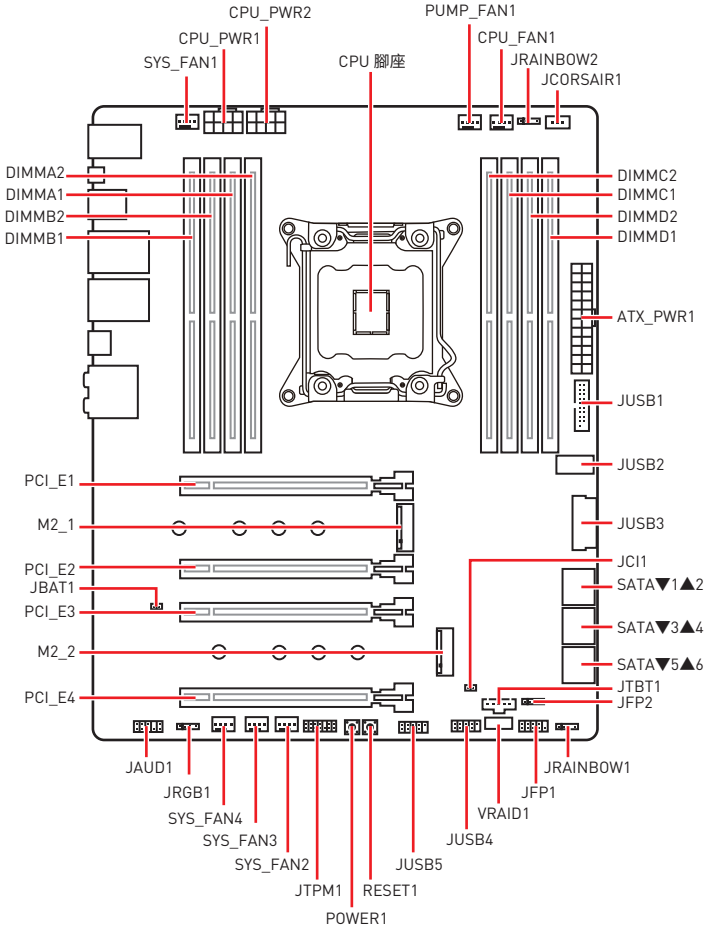
連接立體聲喇叭插孔示意圖



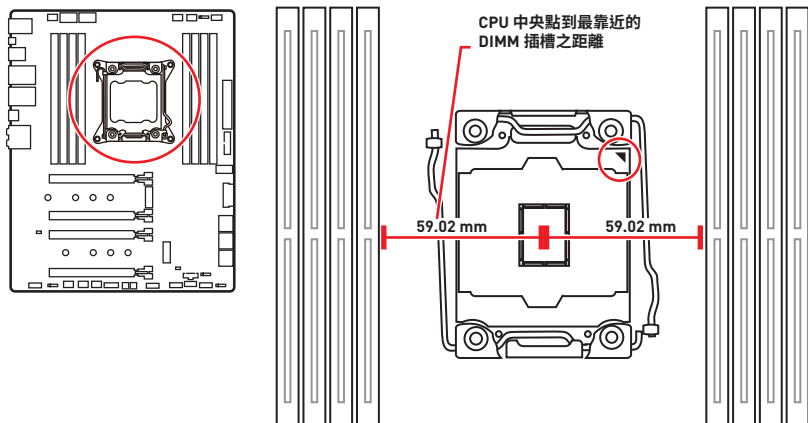
連接 7.1 聲道喇叭插孔示意圖



元件總覽

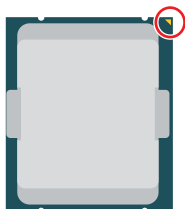


處理器腳座



LGA 2066 CPU 介紹

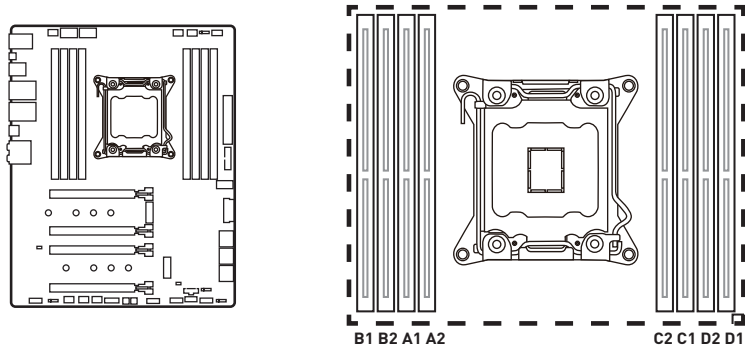
LGA 2066 CPU 正面有四個凹槽與一個金色三角形，以利處理器能正確地裝入主機板的腳座。金色三角形即是第一腳位所在的位置。



⚠ 重要

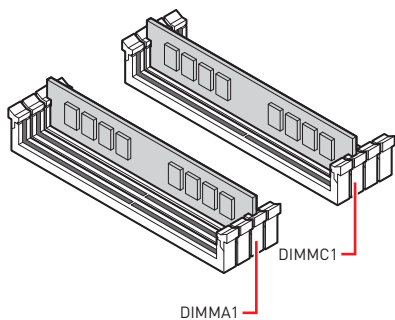
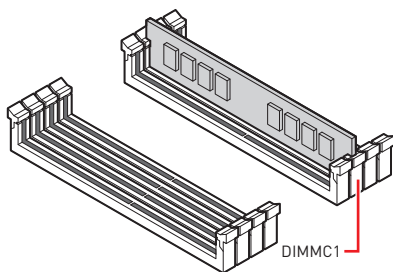
- 請務必先將電源線由電源插座移除，再安裝或取下中央處理器。
- CPU 安裝後，仍請將 CPU 腳座的保護蓋留存。日後若需送修主機板，腳座上必須裝有保護蓋，才符合微星的 Return Merchandise Authorization (RMA) 要求，以保固維修主機板。
- 安裝 CPU 後，請務必在其上裝散熱器。CPU 須裝有散熱器才能避免過熱，並維持系統穩定。
- 務必確認 CPU 已與散熱器緊密地結合，再啟動電腦系統。
- 溫度過高會嚴重損壞 CPU 和系統。請確保散熱器正常運作，以免 CPU 過熱。請於 CPU 與散熱器間均勻塗抹散熱膏或貼上耐溫膠帶以加強散熱。
- 若 CPU 未安裝在主機板上，請務必將 CPU 腳座的保護蓋裝回腳座上。
- 如果您選購的是獨立包裝的處理器與散熱器/風扇，請參閱散熱器/風扇包裝內的文件，以了解詳細的安裝方式。
- 即使本主機板設計為可超頻運作，但在將其調整為超頻運作時，請確認系統零組件可承受此異常設定。任何在非本產品規格建議下的操作，我們均不保證其造成的損壞及操作時的風險。

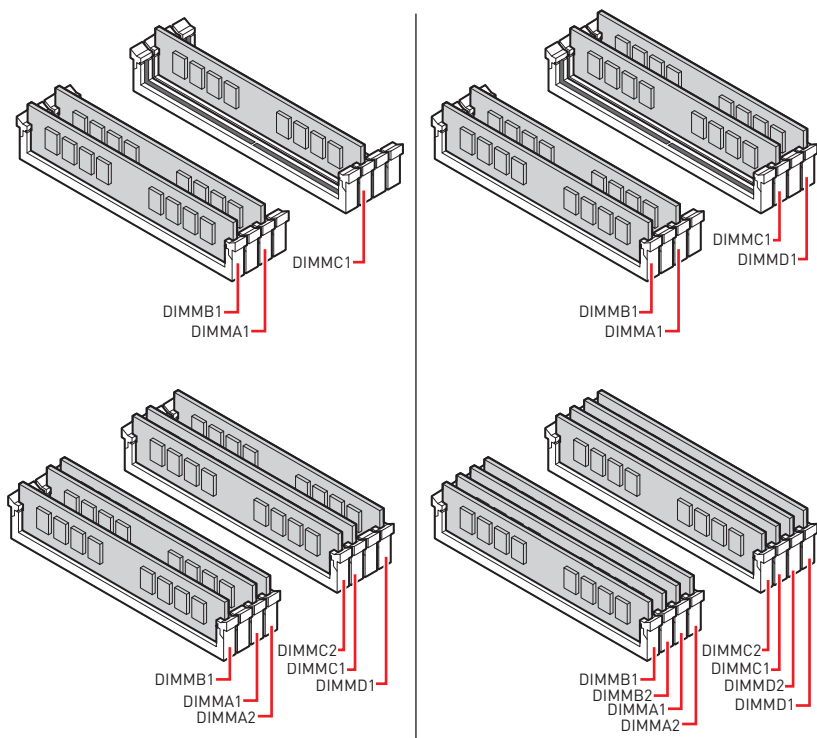
DIMM 插槽



記憶體模組安裝建議

	B1	B2	A1	A2	CPU Socket	C2	C1	D2	D1
1 DIMM					Intel® Core™ X-series 10000/ 9000/ 78xx (以上) 處理器		✓		
2 DIMMs			✓				✓		
3 DIMMs	✓		✓				✓		
4 DIMMs	✓		✓				✓		✓
5 DIMMs	✓		✓			✓	✓		✓
6 DIMMs	✓		✓	✓		✓	✓		✓
7 DIMMs	✓	✓	✓	✓		✓	✓		✓
8 DIMMs	✓	✓	✓	✓		✓	✓	✓	✓



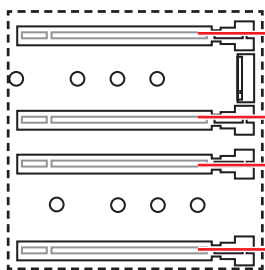


重要

- 安裝記憶體時，請務必由 **DIMM1** 插槽開始安裝。
- 為確保系統穩定，雙通道/3 通道/4 通道模式，請務必安裝相同規格、容量、密度的記憶體模組。且應優先安裝於各通道的單數 DIMM 插槽。
- 記憶體頻率是依照其 Serial Presence Detect (SPD) 運作。在超頻過程中，部分記憶體模組，可能會以比其標示頻率低的數值運作；如果您希望記憶體模組以符合其標示頻率或更高的頻率運作，請進入 BIOS 選單並找到 **Memory Try It** 項目設定。
- 要在主機板的所有記憶體插槽都裝上記憶體模組，或是要進行超頻時，建議您使用更高效的記憶體散熱系統。
- 超頻時，記憶體模組之穩定性與相容性，將取決於您所安裝的 CPU 及裝置。
- 請連結 www.msi.com 以查閱相容記憶體的資訊。

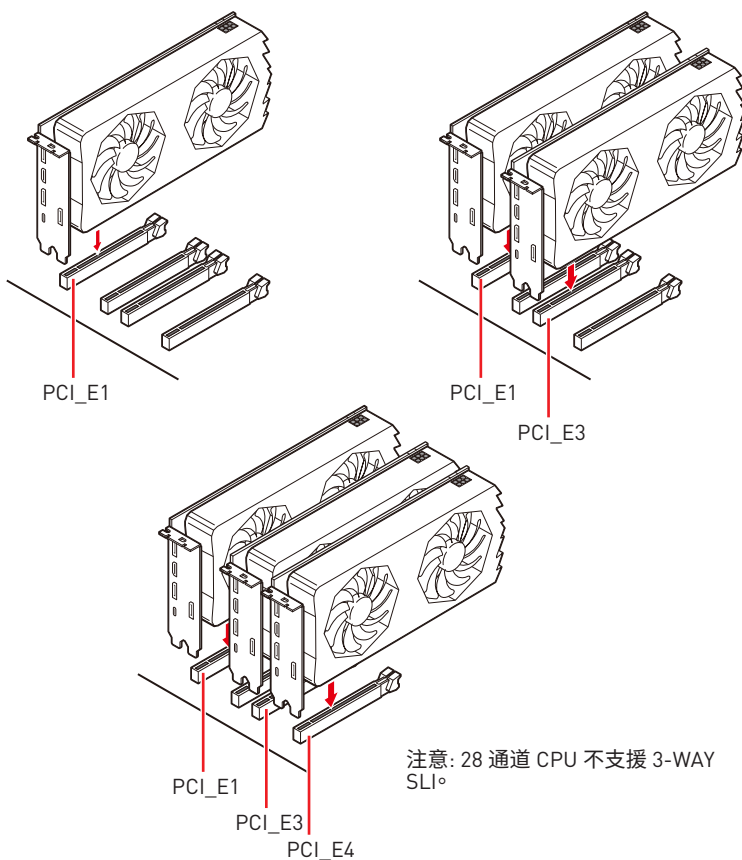
PCI_E1~4: PCIe 擴充插槽

請參閱以下表格以查閱 CPU 搭載的 PCIe 通道。



CPU	48 通道 CPU	44 通道 CPU	28 通道 CPU
PCI_E1	PCIe x16	PCIe x16	PCIe x16
PCI_E2	PCIe x8	PCIe x4	PCIe x4
PCI_E3	PCIe x16	PCIe x16	PCIe x8
PCI_E4	PCIe x8	PCIe x8	不可用

多顯示卡安裝建議



重要

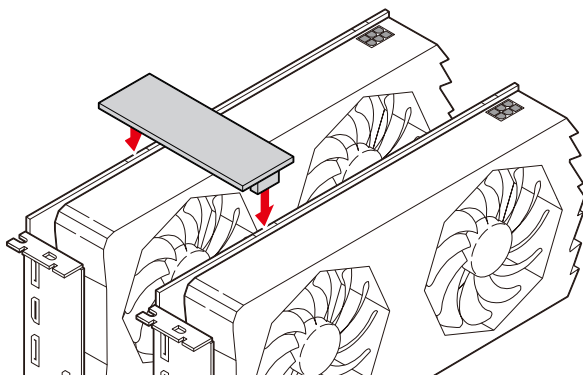
- 若您安裝的是較大且重的顯示卡，需使用 **MSI Gaming Series 顯卡支撐架** 之類的工具，以支撐其重量並防止插槽變形。
- 如只安裝一張 PCIe x16 擴充卡，建議安裝到 **PCI_E1** 插槽，以獲得最佳效能。
- 新增或移除擴充卡時，請確認已關機並拔除電源線。請詳讀擴充卡說明文件，以了解所需變更的軟硬體設定。

安裝 SLI 顯示卡

要設置 SLI 時，請參閱顯示卡說明文件，以確認電源供應器的建議配置，並確認已符合各項系統要求。

安裝 SLI 顯示卡：

1. 將電腦關閉並拔除電源線，將兩張顯示卡分別安裝至 **PCI_E1** 與 **PCI_E3** 插槽。
2. 使用 **SLI 橋接器**，連接兩張卡。

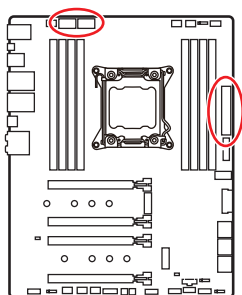


3. 連接顯示卡的所有 PCIe 電源插孔。
4. 重新接上電源線、啟動電腦，並安裝顯示卡包裝隨附的驅動程式和軟體。
5. 在 Windows 桌面上按右鍵，然後在功能表中選擇 **NVIDIA 控制面板**，按一下左側工作列的 **Configure SLI, Surround, PhysX**，然後在 **SLI 設定功能表** 中選取 **Maximize 3D performance**，最後按下 **Apply (套用)**。



CPU_PWR1~2, ATX_PWR1: 電源接頭

這些接頭能讓您連接 ATX 電源供應器。



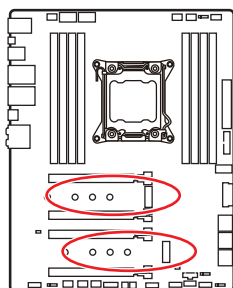
1	Ground	5	+12V
2	Ground	6	+12V
3	Ground	7	+12V
4	Ground	8	+12V

1	+3.3V	13	+3.3V
2	+3.3V	14	-12V
3	Ground	15	Ground
4	+5V	16	PS-ON#
5	Ground	17	Ground
6	+5V	18	Ground
7	Ground	19	Ground
8	PWR OK	20	Res
9	5VSB	21	+5V
10	+12V	22	+5V
11	+12V	23	+5V
12	+3.3V	24	Ground



請確認所有電源線皆已穩固連接到正確的 ATX 電源供應器，確保主機板穩定操作。

M2_1~2: M.2 插槽 (M 鍵)

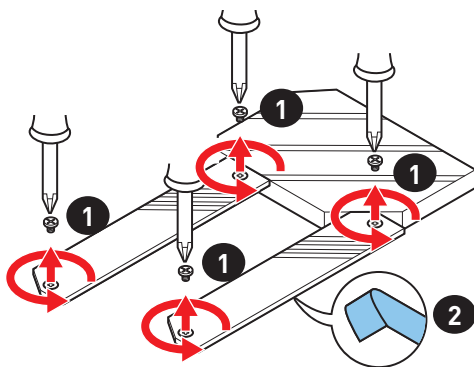


觀看影片，瞭解如何安裝 M.2 模組。

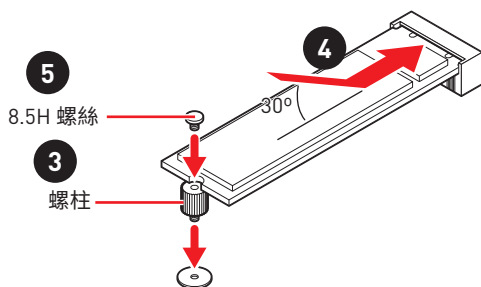
<http://youtu.be/JCTFABytrYA>

安裝 M.2 模組

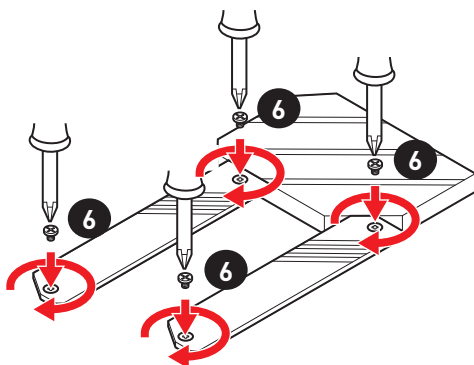
1. 將 M.2 SHIELD FROZR 散熱片的螺絲取下。
2. 掀起 M.2 SHIELD FROZR 散熱片，並取下導熱墊上的保護膠片。



3. 如有需要，請依照您 M.2 SSD 裝置的長度來移動銅柱的位置。
4. 將 M.2 SSD 以 30 度角插入 M.2 插槽。
5. 請將 M.2 SSD 以 M.2 8.5H 螺絲鎖上。



6. 將 M.2 SHIELD FROZR 散熱片放回原位並鎖上。

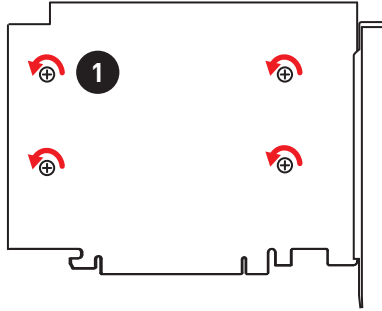


安裝 M.2 XPANDER-Z GEN 4 卡(可選配置)

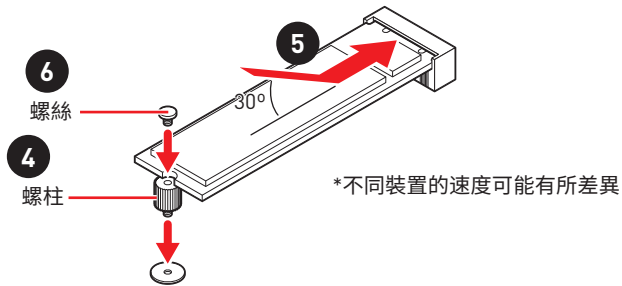
M.2 XPANDER-Z GEN 4 卡提供四個 M.2 M 鍵插槽。

M.2 XPANDER-Z GEN 4 卡安裝方法如下：

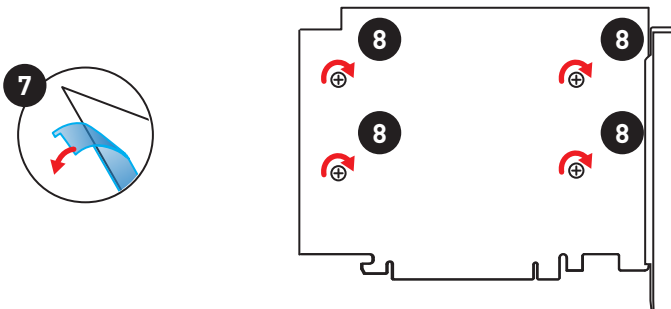
1. 將 M.2 XPANDER-Z GEN 4 卡背面的四顆散熱片螺絲移除，取下散熱片；



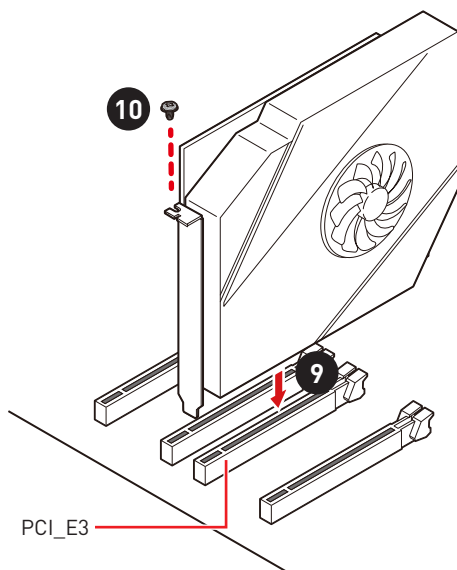
2. 將螺絲由 M.2 螺柱上取下；
3. 取下 M.2 螺柱；
4. 將 M.2 螺柱移動並固定到 M.2 SSD 的適當位置；
5. 以 30 度角將 M.2 模組插入 M.2 插槽；
6. 用 M.2 螺絲將 M.2 裝置鎖上；



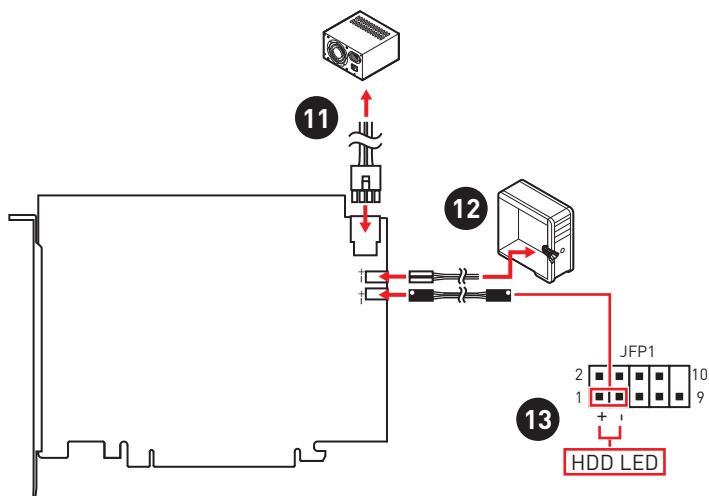
7. 散熱片上的散熱貼片有保護膜，請將保護膜取下；
8. 用四個散熱片螺絲將散熱片裝回原位並鎖上；



9. 將 M.2 XPANDER-Z GEN 4 卡裝入 **PCI_E3** 插槽；
10. 以螺絲將 M.2 XPANDER-Z GEN 4 卡固定；

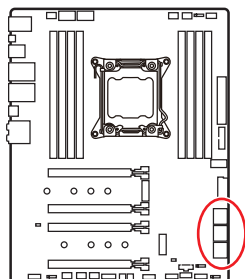


11. 將 PCIE_PWR1 接頭與電源供應器連接；
12. 將機殼內的 HDD LED 燈連接線連接到 JCASE 接頭；
13. 以隨附的 HDD LED 燈連接線連接 JMB 接頭與主機板的 JFP1 接腳的 HDD LED 針腳 (第 1 & 第 3 腳位)。



SATA1~6: SATA 6Gb/s 插孔

這些插孔是 SATA 6Gb/s 介面連接埠。每個插孔皆可連接一個 SATA 裝置。

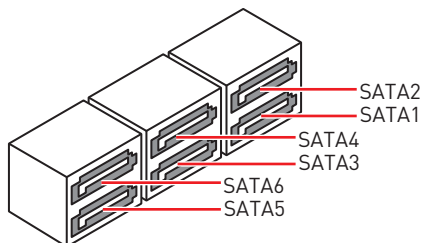


PCI_E2, M2_2 和 SATA2 組合表

插槽	組合			
PCI_E2	已安裝 (CPU 通道)	已安裝 (CPU 通道)	未安裝	未安裝
M2_2	PCIe SSD (PCH 通道)	SATA SSD (PCH 通道)	SATA SSD (PCH 通道)	PCIe SSD (CPU 通道)
SATA2	可用	不可用	不可用	可用

M2_1 和 SATA1 組合表

插槽	組合	
M2_1	PCIe SSD (PCH 通道)	SATA SSD (PCH 通道)
SATA1	可用	不可用

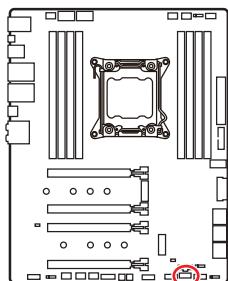


重要

- SATA 排線不可摺疊超過 90 度，以免傳輸資料時產生錯誤。
- SATA 排線兩端接頭外觀相似，建議將平頭端接到主機板，以節省空間。

VRAID1: CPU 虛擬架構 RAID 接頭

此連接器可用於連接 VROC (Virtual RAID on CPU) 密鑰模組。您需要使用 Intel® RSTe (Intel® Rapid Storage Technology enterprise) 驅動程序啟用 VROC 功能。



1			
1	GND	2	VCC3
3	GND	4	SATA_RAID_KEY

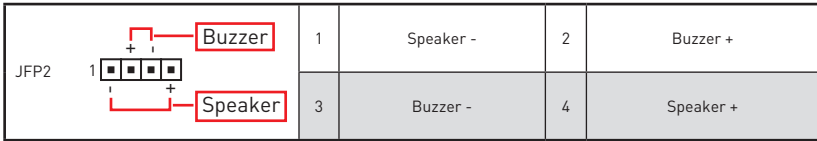
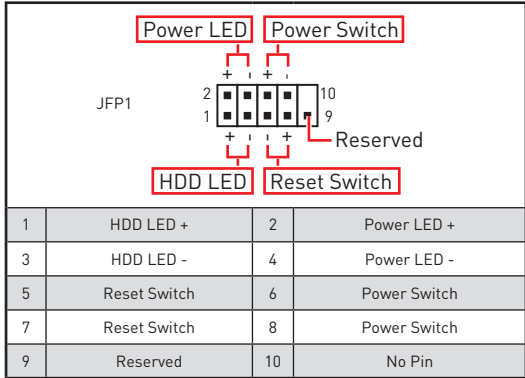
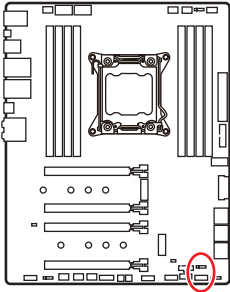


重要

VROC 密鑰模組需另行購買。

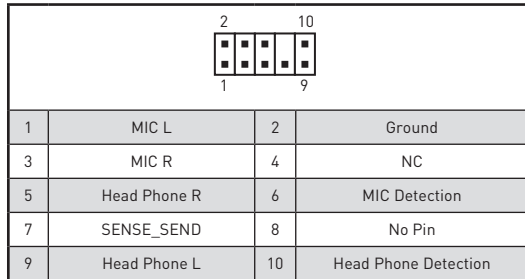
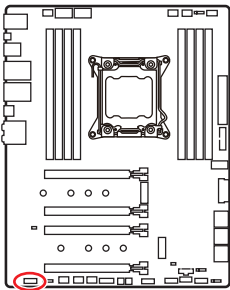
JFP1, JFP2: 系統面板接頭

這些接頭用於連接前面板的開關和 LED 指示燈。



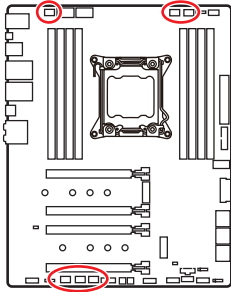
JAUD1: 前置音效插孔

本插孔用於連接前面板的音訊插孔。



CPU_FAN1, PUMP_FAN1, SYS_FAN1~4: 風扇電源接頭

風扇電源接頭可分為脈寬調變 (PWM) 模式和 DC 模式。PWM 模式風扇插孔提供恆定 12V 輸出，並可透過速度控制訊號調整風扇速度。DC 模式插孔以變更電壓方式控制風扇速度。只有 CPU_FAN1 能自動偵測 PWM 與 DC 模式，您也可依照以下說明，手動將風扇電源接頭調整為 PWM 或 DC 模式。



CPU_FAN1/ PUMP_FAN1/ SYS_FAN1~4

切換風扇模式並調整風扇速度

您可以在 **BIOS > HARDWARE MONITOR** 中切換 PWM 模式和 DC 模式，與調整風扇速度。

選擇 PWM 模式或 DC 模式



風扇速度的漸變點，允許您根據 CPU 溫度調整風扇速度。



重要

在切換 PWM/ DC 模式後，請確保風扇工作正常。

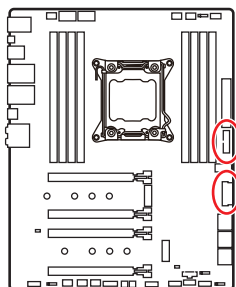
風扇接頭的針腳定義

PWM 模式針腳定義			
1	Ground	2	+12V
3	Sense	4	Speed Control Signal

DC 模式針腳定義			
1	Ground	2	Voltage Control
3	Sense	4	NC

JUSB1, JUSB3: USB 3.2 Gen1 接頭

這些接頭用於連接前面板的 USB 3.2 Gen1 連接埠。



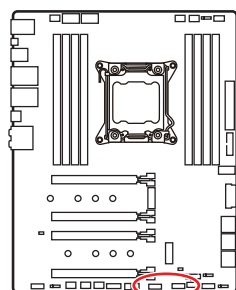
1	Power	11	USB2.0+
2	USB3_RX_DN	12	USB2.0-
3	USB3_RX_DP	13	Ground
4	Ground	14	USB3_TX_C_DP
5	USB3_TX_C_DN	15	USB3_TX_C_DN
6	USB3_TX_C_DP	16	Ground
7	Ground	17	USB3_RX_DP
8	USB2.0-	18	USB3_RX_DN
9	USB2.0+	19	Power
10	NC	20	No Pin



重要

請注意，電源和接地針腳必須正確連接，以免造成組件受損。

JUSB4~5: USB 2.0 接頭



1	VCC	2	VCC
3	USB0-	4	USB1-
5	USB0+	6	USB1+
7	Ground	8	Ground
9	No Pin	10	NC

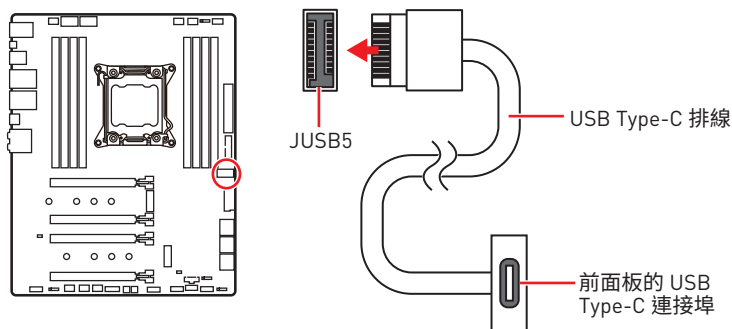


重要

- 請注意，VCC 和接地針腳必須正確連接，以免造成組件受損。
- 如要以 USB 連接埠對 iPad、iPhone 及 iPod 充電，請安裝 MSI DRAGON CENTER 工具軟體。

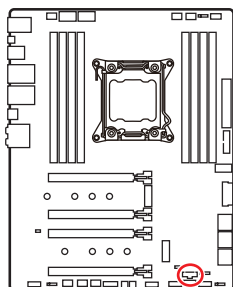
JUSB2: USB 3.2 Gen2 Type-C 接頭

此接頭用於連接前面板的 USB 3.2 Gen2 Type-C 接頭，具有防呆設計。連接排線時，請務必以正確的方向連接。



JTBT1: Thunderbolt 擴充卡接頭

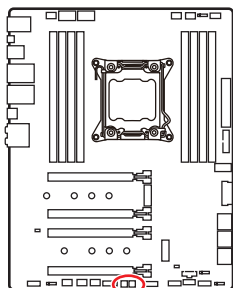
此接頭可用來連接 Thunderbolt I/O 擴充卡。



1			
1	FORCE_PWR	2	SCI_EVENT
3	SLP_S3#	4	SLP_S5#
5	GND		

POWER1, RESET1: 電源按鈕、重新開機按鈕

電源按鈕/重新開機按鈕用來開啟電腦電源或重新開機。



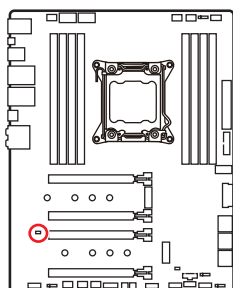
電源按鈕



重新開機按鈕

JBAT1: 清除 CMOS (重置 BIOS) 功能跳線

主機板內建 CMOS 記憶體，是利用主機板上的外接電池來保留系統設定。若要清除系統設定，請使用跳線來清除 CMOS 記憶體。



保留資料
(預設值)



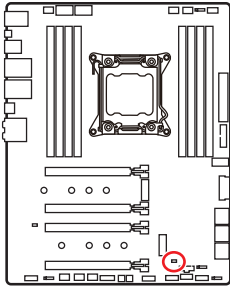
清除 CMOS/
重置 BIOS

重設 BIOS 為預設值

1. 關閉電腦電源並拔除電源線。
2. 使用跳線讓 JBAT1 短路持續約 5-10 秒。
3. 將跳線從 JBAT1 上取下。
4. 插上電源線並開啟電腦電源。

JCI1: 機殼開啟接頭

此接頭可連接機殼開啟開關排線。



一般
(預設值)



觸動機殼開啟事件

使用機殼開啟偵測器

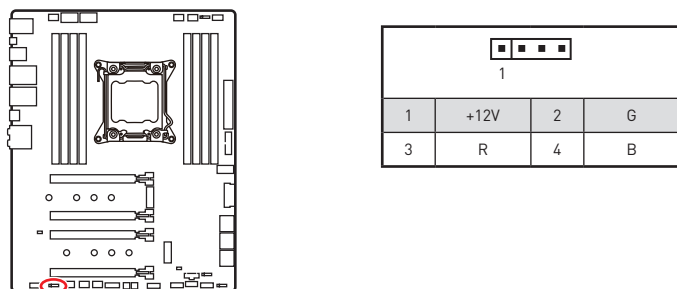
1. 連接 JCI1 插孔和機殼上的機殼開啟開關／感測器。
2. 關閉機殼蓋。
3. 前往 BIOS > SETTINGS > Security > Chassis Intrusion Configuration。
4. 將 Chassis Intrusion 設定為 Enabled。
5. 按下 F10 儲存並離開，然後按 Enter 鍵選擇 Yes。
6. 之後若機殼蓋再次被開啟，電腦啟動後畫面上即會顯示警告訊息。

重設機殼開啟警告

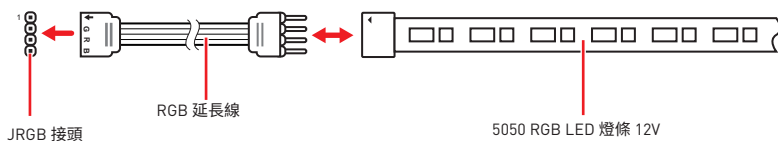
1. 前往 BIOS > SETTINGS > Security > Chassis Intrusion Configuration。
2. 將 Chassis Intrusion 設定為 Reset。
3. 按下 F10 儲存並離開，然後按下 Enter 鍵選擇 Yes。

JRGB1: RGB LED 接頭

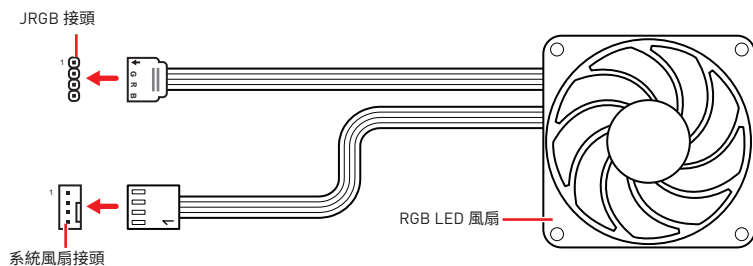
JRGB 接頭允許您連接 5050 RGB LED 燈條 (12V)。



RGB LED 燈條連接示意圖



RGB LED 風扇連接示意圖

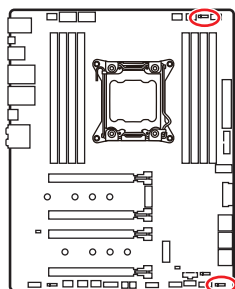


重要

- JRGB 接頭支援最長 2 公尺的 5050 RGB LED 燈條 (12V/G/R/B)，最大額定功率為 3A (12V)。
- 進行安裝或拔除 RGB LED 燈條前，請先關閉電源供應器，並將電源線由電源插座移除。
- 請使用 MSI 軟體來控制擴展的 LED 燈條。

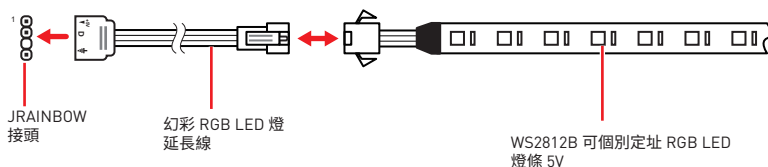
JRAINBOW1~2: 可定址 RGB LED 接頭

JRAINBOW 接頭允許您連接 WS2812B 可定址 RGB LED 燈條 5V。

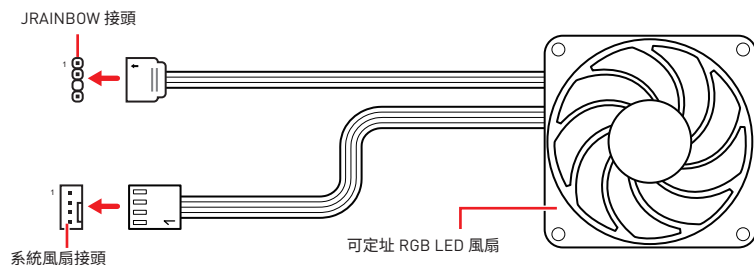


1			
1	+5V	2	Data
3	No Pin	4	Ground

可定址 RGB LED 燈條連接示意圖



可定址 RGB LED 風扇連接示意圖



警告

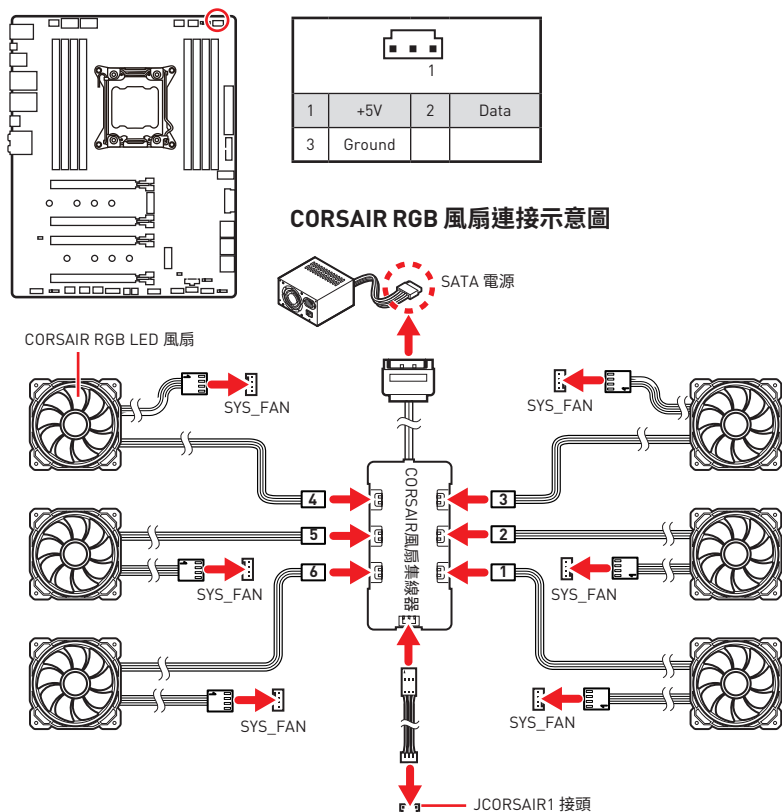
請勿連接錯誤類型的 LED 燈條。JRGB 接頭和 JRAINBOW 接頭提供不同的電壓，如誤將 5V LED 燈條連接到 JRGB 接頭，將會造成此 LED 燈條損壞。

重要

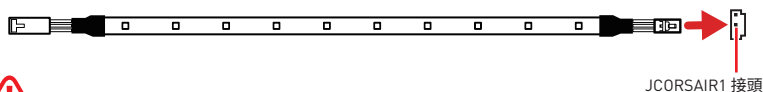
- JRAINBOW 接頭最多可支援 75 個 LED WS2812B 可個別定址 RGB LED 燈條 (5V/Data/Ground)，最大額定功率為 3A (5V)。如全部使用 20% 亮度，此接頭支援的 LED 燈條上限則可達 200 個。
- 進行安裝或拔除 RGB LED 燈條前，請先關閉電源供應器，並將電源線由電源插座移除。
- 請使用 MSI 軟體來控制擴展的 LED 燈條。

JCORSAIR1: CORSAIR 接頭

JCORSAIR1 接頭可用來將 CORSAIR 個別可定址 Lighting PRO RGB LED 燈條 (5V) 或 CORSAIR RGB LED 風扇連接至 CORSAIR 風扇集線器。所有項目連接妥當後，您可透過 MSI 軟體控制 CORSAIR RGB LED 燈條與風扇。



CORSAIR Lighting Node PRO 連接示意圖



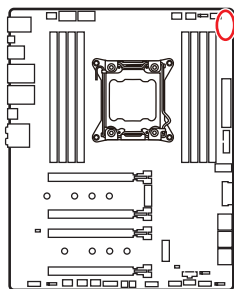
⚠ 重要

- 風扇必須從 1 開始依序連接。1 > 2 > 3 > 4 > 5 > 6。序列中若有風扇未連接，則會中斷通訊，導致 RGB LED 指示燈功能無法運作。
- 所支援的 RGB LED Fan 或 RGB LED Lighting PRO 燈條數量依型號而異。請參閱主機板規格。
- RGB LED 風扇與 CORSAIR Lighting Node PRO 不能同時使用。

內建 LED 指示燈

EZ 偵錯 LED 指示燈

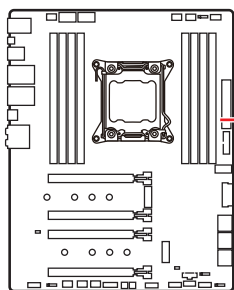
這些 LED 指示燈會表示主機板的偵錯狀態。



- CPU - 表示未偵測到 CPU 或已故障。
- DRAM - 表示未偵測到記憶體或已故障。
- VGA - 表示未偵測到顯示晶片或已故障。
- BOOT - 表示未偵測到開機裝置或已故障。

XMP LED 指示燈

此 LED 指示燈表示 XMP (Extreme Memory Profile) 模式已啟用。



XMP LED 指示燈

安裝作業系統、驅動程式，及工具軟體

請至 www.msi.com 下載與更新最新版的工具軟體與驅動程式。

安裝 Windows® 10

1. 啟動電腦。
2. 將含有 Windows® 10 的光碟片或 USB 裝置放入電腦。
3. 按電腦機殼上的**重新啟動**按鈕。
4. 在電腦開機自我測試 (POST) 期間，按 **F11** 鍵進入開機功能表。
5. 在開機功能表中選擇 Windows® 10 安裝磁碟 /USB。
6. 畫面顯示 **Press any key to boot from CD or DVD...** 訊息時，按任意鍵。
7. 依照畫面指示，安裝 Windows® 10。

安裝驅動程式

1. 啟動電腦進入 Windows® 10。
2. 將 MSI 驅動程式 USB 隨身碟插入 USB 連接埠。
3. 按一下**選擇要針對此光碟執行的動作的彈出通知**，然後選擇執行 **DVDSetup.exe** 以打開安裝程式。如果從 Windows 設定面板關閉自動播放功能，仍然可以從 MSI 驅動程式 USB 隨身碟的根路徑手動執行 **DVDSetup.exe**。
4. 安裝程式將在**驅動程式 / 應用軟體**頁面中尋找並列出所有必要的驅動程式。
5. 按一下視窗右下角的**安裝**按鈕。
6. 接著會開始進行驅動程式安裝，完成之後會要求您重新啟動電腦。
7. 按一下**確定**按鈕完成安裝。
8. 重新啟動電腦。

安裝工具軟體

安裝應用程式前，務必完成驅動程式安裝。

1. 如上所述打開安裝程式。
2. 按一下**應用程式**標籤。
3. 選擇您要安裝的應用程式。
4. 按一下視窗右下角的**安裝**按鈕。
5. 接著會開始進行應用程式安裝，完成之後會要求您重新啟動電腦。
6. 按一下**確定**按鈕完成安裝。
7. 重新啟動電腦。

BIOS 設定

預設值提供最佳效能，可在一般情況下達到系統穩定度。除非您熟悉 BIOS 設定，否則請務必使用預設值，以免系統受損或開機失敗。



重要

- BIOS 項目會持續更新達到更優異的系統效能。因此，說明內容可能會與最新的 BIOS 稍微不同，因此僅供參考。您亦可參閱 **HELP** 取得 BIOS 項目說明。
- 本章節圖片僅供參考，可能與您所購買的產品有所不同。

進入 BIOS 設定

請參考以下方法，進入 BIOS 設定畫面。

- 開機過程中畫面出現按 **Delete** 鍵進入設定功能表，按 **F11** 進入開機功能表時，按 **Delete** 鍵進入設定功能表。
- 使用 **MSI DRAGON CENTER** 應用程式。按一下 **G02BIOS** 按鈕然後選擇 **確認**。系統會重新開機，直接進入 BIOS 設定畫面。

功能鍵

F1: 一般說明

F2: 添加/刪除我的最愛項目

F3: 進入我的最愛功能表

F4: 進入 CPU 規格功能表

F5: 進入 Memory-Z 功能表

F6: 載入最佳化預設值

F7: 切換進階模式和 EZ 模式

F8: 載入超頻設定檔

F9: 儲存超頻設定檔

F10: 儲存變更與重設*

F12: 拍攝螢幕截圖並儲存到 USB 隨身碟 (僅限 FAT/ FAT32 格式)

Ctrl+F: 進入搜索頁面

* 按下 F10 後，會顯示確認視窗並列出修改資訊。請選擇是或否進行確認。

重設 BIOS

某些情況下，您可能需要將 BIOS 復原為出廠預設值，以解決部份特定問題。有幾種方法可重設 BIOS：

- 進入 BIOS，然後按 **F6** 載入最佳化預設值。
- 將主機板上的清除 **CMOS** 功能跳線短路。



在清除 **CMOS** 資料之前，請確定電腦已關機。請參閱清除 **CMOS** 跳線部分的說明來重置 BIOS。

更新 BIOS

以 M-FLASH 更新 BIOS

更新前準備：

請從 MSI 網站下載符合您主機板型號的最新 BIOS 檔案。然後將 BIOS 檔案存到 USB 隨身碟。

進行更新 BIOS：

1. 將內含更新檔的 USB 隨身碟插入電腦。
2. 請依下列方式進入更新模式。
 - 重新開機並在 POST 期間按壓 **Ctrl + F5** 按鍵，並點選**確定**以重新啟動系統。
 - 重新開機並在 POST 期間按壓 **Del** 按鍵進入 BIOS，點選 **M-FLASH** 按鈕並點選**確定**以重新啟動系統。
3. 選取一個 BIOS 檔案，以進行 BIOS 更新。
4. 更新進度 100% 完成後，系統會自動重新啟動。

以 MSI DRAGON CENTER 更新 BIOS

更新前準備：

確保已經安裝網路驅動程式，且已正確設定網際網路連線。

進行更新 BIOS：

1. 安裝並開啟 MSI DRAGON CENTER。
2. 選取 **BIOS Update (BIOS 更新)**。
3. 按一下 **Scan (掃描)** 按鈕。
4. 按一下 **Download (下載)** 圖示，下載並安裝最新的 BIOS 檔案。
5. 按一下 **Next (下一步)**，然後選擇 **In Windows mode**。接著按 **Next (下一步)** 及 **Start (開始)**，就會開始更新 BIOS。
6. 更新進度 100% 完成後，系統會自動重新啟動。

EZ 模式

EZ 模式會提供基本的系統資訊，可進行基本設定。若要配置進階 BIOS 設定，請按設定模式開關或 F7 功能鍵進入進階模式。



- **OC GENIE 4 開關** - 點按此按鈕即可開啟或關閉 OC GENIE 4 用於超頻。



重要

啟動 **OC GENIE 4** 功能後，請勿對 OC 功能表進行任何變更，也不要載入預設值，以保持最佳效能與系統穩定性。

- **XMP 開關 (選擇性配置)** - 按一下內圈以啟用/停用 XMP (極限記憶體設定檔)。如有記憶體設定檔，可以外圈切換。安裝的處理器與記憶體需有支援 XMP 功能，本開關才可使用。
- **設定模式開關** - 按此標籤或 F7 鍵，切換進階模式和 EZ 模式。
- **螢幕截圖** - 按此標籤或 F12 鍵，即可拍攝螢幕截圖，並存到 USB 隨身碟 (僅限 FAT/FAT32 格式)。
- **搜尋** - 按一下此頁籤或 Ctrl+F 鍵，可進入搜尋頁面。您可依 BIOS 項目名稱搜尋，將滑鼠移到空白處，並按滑鼠右鍵即可退出搜尋頁面。



重要

在搜尋頁面中，只有 F6、F10 和 F12 功能鍵可用。

- **語言** - 您可在這裡選擇 BIOS 設定畫面所顯示的語言。
- **系統資訊** - 顯示 CPU/DDR 速度、CPU/MB 溫度、MB/CPU 類型、記憶體容量、CPU/DDR 電壓、BIOS 版本和組建日期。
- **開機裝置順序** - 您可移動裝置圖示來變更開機優先順序。開機順序由高至低的排序是由左至右。

- **顯示資訊** - 按一下左側的 **CPU**、**Memory**、**Storage**、**Fan Info** 和 **Help** 按鈕，即可顯示相關訊息。
- **功能按鈕** - 按 **LAN Option ROM**、**M.2/Optane Genie**、**Hardcore mode**、**AHCI/RAID**、**Indication LED Control** 及 **RGB Light Control** 按鈕，即可啟用或停用各自的功能。
- **M-Flash** - 按此按鈕即可顯示 **M-Flash** 功能表，可用 USB 隨身碟更新 BIOS。
- **硬體監測器** - 按此按鈕即可顯示**硬體監測器**功能表，能在此手動控制風扇速度百分比。
- **我的最愛** - 按「**Favorites (我的最愛)**」頁籤或 **F3** 鍵可進入「**Favorites (我的最愛)**」功能表。您可在此建立個人化的 BIOS 功能表，以便在其中儲存並使用最愛/最常用的 BIOS 設定項目。
 - **預設首頁** - 您可在此選擇一個 BIOS 功能表 (如設定、OC 等) 作為 BIOS 首頁。
 - **我的最愛 1~5** - 您可在此將常用/最愛的 BIOS 設定項目新增到頁面。
 - **將 BIOS 項目加到我的最愛頁面(我的最愛 1~5)**
 1. 將滑鼠移動到 BIOS 項目上，不僅在 BIOS 菜單上，而且在搜索頁面上。
 2. 按右鍵，或按下 **F2** 鍵。
 3. 選擇一個我的最愛頁面，然後按一下 **OK** (確定)。
 - **刪除我的最愛頁面中的 BIOS 項目**
 1. 在我的最愛頁面 (我的最愛 1~5) 選擇一個 BIOS 項目。
 2. 按右鍵，或按下 **F2** 鍵。
 3. 選擇 **Delete** (刪除) 然後按一下 **OK** (確定)。

進階模式

按下**設定模式**開關或 **F7** 功能鍵，即可在 BIOS 設定中切換 EZ 模式和進階模式。



- **BIOS 功能表選擇** - 提供以下選項：
 - **SETTINGS (設定)** - 您可在此指定晶片組和開機裝置的參數。
 - **OC (超頻)** - 您可在此調整頻率和電壓。提升頻率可能獲得更優異的效能。
 - **M-FLASH** - 可藉此透過 USB 隨身碟更新 BIOS。
 - **OC PROFILE** - 可在管理超頻設定檔。
 - **HARDWARE MONITOR (硬體監測器)** - 可在設定風扇速度並監測系統電壓。
 - **BOARD EXPLORER (主機板瀏覽器)** - 提供已安裝在主機板上各類裝置的相關訊息。
- **顯示選單** - 顯示要配置的 BIOS 設定項目和資訊。

OC 功能表

進階使用者可利用此功能表對主機板進行超頻。



重要

- 手動超頻功能僅建議由進階使用者進行操作。
- 本公司不保證超頻效果，若不當操作，可能會導致保固失效，甚至硬體嚴重受損。
- 若不熟悉超頻作業，建議您使用 **OC GENIE 4** 功能進行簡易超頻。
- OC 選單中的 BIOS 項目會因安裝的處理器不同而有差異。

► OC Explore Mode [Expert]

啟用或關閉一般或進階超頻設定。

[Normal] 在 BIOS 設定提供一般超頻設定。

[Expert] 在 BIOS 設定，為豐富經驗的玩家提供進階超頻設定。

註：* 表示專家模式的超頻設定。

► CPU Ratio Apply Mode [All Core]*

設定套用的 CPU 率模式。僅當安裝的 CPU 支援 **Turbo Boost** 時，顯示此項目。

[All Core] 啟用 **CPU Ratio** (CPU 比率)。所有的 CPU 核心將執行在 **CPU Ratio** (CPU 比率) 設定的相同 CPU 比率。

[Per Core] 啟用 **Core 0~X**。分開設定每個 CPU 在 **Core 0~X** 的核心率。

[Turbo Ratio] 啟用 **Numbers of CPU Cores of Group X** 和 **Target CPU Turbo Ratio Group 1**。此選項只有在支援此功能的 CPU 已安裝時才會顯示。

► X-Core Ratio Limit [Auto]*

本項設定現行不同核心數的 CPU 倍頻。此項目僅在當 **CPU Ratio Apply Mode** 設置為 **Turbo Ratio** 時才會顯示。

► Adjusted CPU Frequency

顯示調整後的 CPU 頻率。唯讀。

► Core 0~X XX of XX [Auto]*

此選項可針對不同數目的作用中核心，來設定 CPU 率。當安裝的 CPU 支援此功能時，顯示這些項目。

► CPU Ratio Offset When Running AVX [Auto]

設置偏移值以降低 CPU 內核比率。運行 AVX 指令集時，可以有助於散熱。如果設置為自動，BIOS 將自動配置此設置。當安裝的 CPU 支援此功能時，顯示此項目。

► Ring Ratio [Auto]

設定 Ring 倍頻。有效範圍視安裝的 CPU 而定。

► Adjusted Ring Frequency

顯示調整後的 Ring 頻率。唯讀。

► Misc Setting*

按 Enter、+、或 - 鍵開啟或關閉與 CPU 功能相關的下列兩項。

► EIST [Enabled]*

啟用或停用 Enhanced Intel® SpeedStep 技術。

[Enabled] 啟用 EIST 動態調整 CPU 電壓以及核心頻率。能降低平均功耗以及平均生熱。

[Disabled] 停用 EIST。

► Intel Turbo Boost [Enabled]*

啟用或停用 Intel® Turbo Boost。此項目僅有在安裝的 CPU 支援此功能時才會顯示。

[Enabled] 啟用此功能在系統要求達到最高效能狀態時，自動增進 CPU 效能至超越額定規格。

[Disabled] 停用此功能。

► Enhanced Turbo [Auto]*

啟用或停用所有 CPU 核心的增強式渦輪功能以提升 CPU 效能。此項目僅有在安裝的 CPU 支援此功能時才會顯示。

[Auto] 此設定會由 BIOS 自動進行配置。

[Enabled] 所有 CPU 核心會提升達到最大渦輪倍頻。

[Disabled] 停用此功能。

► CPU Base Clock (MHz)

設定 CPU 基礎時脈。您可調整此設定值，將 CPU 超頻。請注意，本公司不保證超頻效果與穩定性。此項目只有在安裝支援此功能的 CPU 時才會顯示。

► CPU Base Clock Apply Mode [Auto]*

設定 CPU 基頻調整後的套用模式。

[Auto] 如選擇此項，此設定將由 BIOS 自動設置。

[Next Boot] 如選擇此項，CPU 在電腦重新啟動後才會以調整後的基頻運作。

[Immediate] 如選擇此項，CPU 會立即以調整後的基頻運作。

▶ Extreme Memory Profile (X.M.P.) [Disabled]

X.M.P. 是記憶體模組的超頻技術。請啟用 XMP 或選擇內存模組配置文件以超頻內存。安裝支援 X.M.P. 的記憶體模組時，此項目才可使用。

▶ DRAM Reference Clock [Auto]*

設定 DRAM 的參考時脈。有效值範圍視安裝的 CPU 而定。此項目只有在裝有支援此調整功能的 CPU 時才會顯示。

▶ DRAM Frequency [Auto]

設定 DRAM 頻率。請注意，本公司並不保證超頻效果。

▶ Adjusted DRAM Frequency

顯示調整的 DRAM 頻率。唯讀。

▶ Load Memory Presets [Disabled]*

載入記憶體超頻預載參數，可最佳化已安裝的記憶體之時序、電壓。



重要

因記憶體模組製成品質各異，仍建議以手動調整或微調參數。

▶ Memory Try It ! [Disabled]

選擇最佳化的記憶體預設值，改善記憶體相容性或效能。

▶ DRAM Timing Mode [Link]

選取記憶體時序模式。

[Link] 可讓使用者針對所有記憶體通道設定 DRAM 時序。

[UnLink] 可讓使用者對個別記憶體通道設定 DRAM 時序。

▶ Advanced DRAM Configuration

按 **Enter** 進入子功能表。使用者可設定各個或所有記憶體通道的記憶體時序。變更記憶體時序後，系統可能會不穩定或無法開機。若發生此情況，請清除 CMOS 資料並還原到預設值。[請參閱清除 CMOS 功能跳線/按鈕章節的說明，清除 CMOS 資料，並進入 BIOS 載入預設值。]

▶ Memory Fast Boot [Auto]*

啟用或停用每次開機時的記憶體初始化和訓練。

[Auto] 此設定會由 BIOS 自動進行配置。

[Enabled] 系統會完整保留記憶體初次初始化與訓練的保存資料。因此記憶體在開機時無需初始化和訓練，進而加速系統開機時間。

[Disabled] 每次開機時記憶體都會初始化和訓練。

▶ CPU Voltages control [Auto]

使用這些選項設定 CPU 的相關電壓。若設定為**自動 (Auto)**，BIOS 會自動設定這些電壓，或可手動設定。

▶ DRAM Voltages control [Auto]

使用這些選項設定記憶體的相關電壓。若設定為**自動 (Auto)**，BIOS 會自動設定這些電壓，或可手動設定。

▶ CPU Memory Changed Detect [Enabled]*

啟用或停用 CPU 或記憶體更換後開機時系統發出警告訊息的功能。

[Enabled] 開機時系統會發出警告訊息，然後使用者必須載入新裝置的預設值。

[Disabled] 停用此功能並保留目前的 BIOS 設定。

▶ OC Quick View Timer [3 Sec]*

此項目用來設定 OC 設定值顯示於螢幕上的持續時間。如設為停用 (Disabled)，BIOS 將不會顯示 OC 設定值的變化。

▶ CPU Specifications

按 **Enter** 進入子功能表。此子功能表會顯示已安裝 CPU 的資訊。您亦可隨時按 [F4] 進入此資訊功能表。唯讀。

▶ CPU Technology Support

按 **Enter** 進入子功能表。此子功能表會顯示已安裝 CPU 的主要功能。唯讀。

▶ MEMORY-Z

按 **Enter** 進入子功能表。此子功能表會顯示已安裝記憶體的所有設定值和時序。您亦可隨時按 [F5] 進入此資訊功能表。

▶ DIMM1/A2/B1/B2/C1/C2/D1/D2 Memory SPD

按 **Enter** 進入子功能表。此子功能表會顯示已安裝記憶體的資訊。唯讀。

▶ CPU Features

按 **Enter** 進入子功能表。

▶ Hyper-Threading [Enabled]

Intel 超執行緒技術能將處理器內部的多重核心當作多個邏輯處理器，可同步執行指令。如此一來，系統效能會大幅提升。此項目僅在有安裝的 CPU 支援此技術時才會顯示。

[Enable] 啟用 Intel 超執行緒技術。

[Disabled] 若系統不支援 HT 功能，則停用此項目。

▶ Active Processor Cores Control [Disabled]

啟用或停用以下項目(Core0-X)。

▶ Limit CPUID Maximum [Disabled]

啟用或停用延伸的 CPUID 值。

[Enabled] BIOS 會限制 CPUID 最大輸入值，以避免因作業系統不支援處理器的延伸 CPUID 值而發生開機問題。

[Disabled] 使用實際的 CPUID 最大輸入值。

▶ Intel Virtualization Tech [Enabled]

啟用或停用 Intel 虛擬化技術。

[Enabled] 啟用 Intel 虛擬化技術並讓平台在獨立分割區上運行多重作業系統。系統能以虛擬化方式當作多個系統使用。

[Disabled] 停用此功能。

▶ Intel VT-D Tech [Disabled]

啟用或停用 Intel VT-D (Intel Virtualization for Directed I/O) 技術。

► **Hardware Prefetcher [Enabled]**

啟用或停用硬體預擷取器 (MLC Streamer prefetcher)。

[Enabled] 能讓硬體預擷取器自動從記憶體預先擷取資料與指令到 L2 快取,以微調 CPU 效能。

[Disabled] 停用硬體預擷取器。

► **Adjacent Cache Line Prefetch [Enabled]**

啟用或停用 CPU 硬體預擷取器 (MLC Spatial prefetcher)。

[Enabled] 啟用鄰近快取列預擷取功能,降低快取延遲時間並微調特定應用程式的效能。

[Disabled] 僅啟用指定的快取列。

► **CPU AES Instructions [Enabled]**

啟用或停用 CPU 先進加密標準 (Advanced Encryption Standard-New Instructions) 支援。此項目僅有在 CPU 支援此功能時才會顯示。

► **Intel Adaptive Thermal Monitor [Enabled]**

啟用或停用 Intel 調適性溫度監測器功能,保護 CPU 以免過熱。

[Enabled] CPU 超出調適溫度時,降低 CPU 核心時脈速度。

[Disabled] 停用此功能。

► **Intel C-State [Auto]**

啟用或停用 Intel C-state。C-state 是由 ACPI 制訂的處理器電源管理技術。

[Auto] 此設定會由 BIOS 自動進行配置。

[Enabled] 偵測系統閒置狀態,並依此降低 CPU 功耗。

[Disabled] 停用此功能。

► **C1E Support [Disabled]**

啟用或停用 C1E 功能,在終止狀態下節省電力。此項目僅有在 **Intel C-State** 啟用時才會顯示。

[Enabled] 啟用 C1E 功能降低 CPU 頻率與電壓,在終止狀態下節省電力。

[Disabled] 停用此功能。

► **Package C State limit [Auto]**

此項目能讓使用者選擇 CPU C-State 等級,以便在系統閒置時達到省電效果。C-State 選項視安裝的 CPU 而定。此項目僅有在 **Intel C-State** 啟用時才會顯示。

► **CFG Lock [Enabled]**

鎖定或解鎖 MSR 0xE2[15],CFG 鎖定位元。

[Enabled] 鎖定 CFG 鎖定位元。

[Disabled] 解鎖 CFG 鎖定位元。

► **Long Duration Power Limit (W) [Auto]**

設定 CPU 在 Turbo Boost 模式中的長時間 TDP 功率限制。

► **Long Duration Maintained (s) [Auto]**

設定長時間功率限制 (W) 的維持時間。

► **Short Duration Power Limit (W) [Auto]**

設定 CPU 在 Turbo Boost 模式中的短時間 TDP 功率限制。

► **CPU Current Limit (A) [Auto]**

設定 CPU 封裝在 Turbo Boost 模式中最大電流限制。電流超出指定值時，CPU 會自動降低核心頻率以降低電流。

► **Internal VR OVP OCP Protection [Auto]**

本項開啟或關閉 CPU 內部電壓調節器的過電壓和過電流保護機制。此項目僅在安裝的 CPU 支援此功能時可用。

[Auto] 本項由 BIOS 自動設定。

[Enabled] 設定 CPU 內部電壓調節器的過電壓和過電流保護之電壓限值。

[Disabled] 關閉本功能進行超頻。

► **Internal VR Efficiency Management [Auto]**

本項開啟或關閉 CPU 內部電壓調節器效能管理。

[Auto] 本項由 BIOS 自動調整設定。

[Enabled] 設定電壓調節器的效能管理功能以達節電之效。

[Disabled] 關閉本功能。

目录

安全信息	3
规格	4
JCORSAIR1 接口规格.....	9
包装内容	9
后置 I/O 面板	10
LAN 端口 LED 状态表.....	10
音频端口配置.....	10
Realtek 音频控制台.....	11
组件概述	13
CPU 底座.....	14
DIMM 插槽.....	15
PCI_E1~4: PCIe 扩展插槽.....	17
CPU_PWR1~2, ATX_PWR1: 电源接口.....	19
M2_1~2: M.2 接口 (M 键).....	19
安装 M.2 XPANDER-Z GEN 4 (选择性配置).....	21
SATA1~6: SATA 6Gb/s 接口.....	23
VRAID1: CPU 虚拟 RAID 架构接头.....	23
JFP1, JFP2: 前置面板接口.....	24
JAUD1: 前置音频接口.....	24
CPU_FAN1, PUMP_FAN1, SYS_FAN1~4: 风扇接口.....	25
JUSB1, JUSB3: USB 3.2 Gen1 接口.....	26
JUSB4~5: USB 2.0 接口.....	26
JUSB2: USB 3.2 Gen2 Type-C 接口.....	27
JTBT1: Thunderbolt 附加卡接口.....	27
POWER1, RESET1: 电源按钮, 重启按钮.....	28
JBAT1: 清除 CMOS (重启 BIOS) 跳线.....	28
JCI1: 机箱入侵检测接口.....	29
JRGB1: RGB LED 接口.....	30
JRAINBOW1~2: 寻址 RGB LED 接口.....	31
JCORSAIR1: CORSAIR 接口.....	32
板载 LED 灯	33
简易侦错 LED 灯.....	33
XMP LED 灯.....	33
安装操作系统, 驱动程序和工具程序	34
安装 Windows® 10.....	34
安装驱动.....	34
安装工具.....	34

BIOS 设置	35
进入 BIOS 设置.....	35
重启 BIOS.....	36
更新 BIOS.....	36
EZ 模式.....	37
高级模式.....	39
OC 菜单.....	40

安全信息

- 此包装中包含的组件有可能到静电放电 (ESD) 损坏。请遵守以下注意事项, 以确保成功组装计算机。
- 确保所有组件连接牢固。若连接不紧可能会导致计算机无法识别组件或无法开启。
- 拿起主板时请手持主板边缘, 避免触及主板的敏感组件。
- 当拿取主板时, 建议佩戴静电放电 (ESD) 腕带, 以防止静电损坏其配置。如果 ESD 腕带无法使用, 请在拿取主板前通过接触其它金属物体释放自身的静电。
- 在不安装主板时, 请将主板放在静电屏蔽容器或防静电垫上。
- 在打开计算机前, 确保计算机机箱内的主板或任何位置上没有松动的螺丝或金属组件。
- 在安装完成之前不要启动计算机。否则可能会导致组件永久性损坏以及伤害使用者。
- 在任何安装步骤中, 如果您需要帮助, 请咨询专业的计算机技术员。
- 安装或拆卸计算机任何组件之前, 请先关闭电源, 并将电源线由插座上拔除。
- 保留本用户指南以供将来参考。
- 本主板须远离湿气。
- 在电源供应器连接到电源插座之前, 请确保您的插座提供了电源供应器上额定相同的指示电压。
- 将电源线摆放在不会被人踩到的地方, 不要在电源线上放置任何物品。
- 须留意在主板上所有的警告标示。
- 发生下列任一状况时, 请将本主板交由维修人员检查:
 - 有液体渗透至计算机内。
 - 主板暴露于水气当中。
 - 主板不工作, 或您依照使用指南后仍无法让本主板工作。
 - 主板曾掉落且损坏。
 - 主板有明显的破损痕迹。
- 切勿将主板放置于摄氏60度(华氏140度)以上的环境中, 以免主板损坏。

规格

CPU	支持 LGA2066 英特尔® 酷睿™ X-series 10000/ 9000/ 78xx (以上) 处理器
芯片组	Intel® X299 芯片组
内存	<ul style="list-style-type: none">• 8 个 DDR4 内存插槽, 支持高达 256GB<ul style="list-style-type: none">▪ 支持 DDR4 4200+(OC)/ 4000(OC)/ 3800 (OC)/ 3733(OC)/ 3600(OC)/ 3466(OC)/ 3400(OC)/ 3333(OC)/ 3300(OC)/ 3200(OC)/ 3000(OC)/ 2933/ 2666/ 2400/ 2133 MHz*• 四通道内存架构• 支持 Intel® 扩展内存配置文件 (XMP)• 支持 非-ECC UDIMM 内存• 支持 非-缓存内存 <p>* 要了解内存的更多信息, 请登录 http://www.msi.com</p> <p>** 有关更多详细信息, 请参考 DIMM 插槽部分。</p>
扩展插槽	<ul style="list-style-type: none">• 4 个 PCIe 3.0 x16 插槽<ul style="list-style-type: none">▪ 支持 x16/x8/x16/x8 模式 (仅限 48-lane CPU)。*▪ 支持 x16/x4/x16/x8 模式 (仅限 44-lane CPU)。*▪ 支持 x16/x4/x8/x0 模式 (仅限 28-lanes CPU)。* <p>* 请参阅第 17 页的 PCIe 3.0 频宽表。</p>
多重 GPU 支持	<ul style="list-style-type: none">• 支持 NVIDIA® SLI™ 技术• 支持 AMD® CrossFire™ 技术
LAN	<ul style="list-style-type: none">• 1 个 Intel I219-V 千兆网络控制器*• 1 个 Realtek RTL8125-CG 2.5G 网络控制器• 1 个 Aquantia® AQC107 万兆网络卡 (X299 PRO 10G) <p>* I219 LAN 不支持 G3 至 S5 唤醒</p>
存储	<p>Intel® X299 芯片组</p> <ul style="list-style-type: none">• 6 个 SATA 6Gb/s 端口*• 2 个 M.2 接口 (M 键)<ul style="list-style-type: none">▪ 支持高达 PCIe 3.0 x4 和 SATA 6Gb/s, 2242/ 2260/ 2280/ 22110 存储设备**▪ 英特尔® 傲腾 (Optane)™ 内存接口*** <p>* 当 M2_1 接口中安装了 SATA M.2 固态硬盘时, SATA1 接口将无效。</p> <p>** M2_2 的默认设置为 CPU 通道。但是, 如果在 PCI_E2 插槽中安装了 PCIe 扩展卡, 则 M2_2 将自动切换到 PCH 通道。</p> <p>** 当 M2_2 使用 PCH 通道并且在 M2_2 接口中安装了 M.2 SATA 固态硬盘时, SATA2 接口将无效。</p> <p>*** M2_2 通过切换到 PCH 通道来支持英特尔® 傲腾 (Optane)™ 内存。</p>

转下一页

接上一页

RAID	Intel® X299 芯片组 <ul style="list-style-type: none">• 支持以 SATA 存储设备创建 RAID 0, RAID 1, RAID 5 和 RAID 10• 支持以 M.2 PCIe 存储设备创建 RAID 0 和 RAID 1
USB	<ul style="list-style-type: none">• ASMedia® ASM3242 芯片组<ul style="list-style-type: none">▪ 1 个 USB 3.2 Gen2x2 (SuperSpeed USB 20Gbps) Type-C 后置面板端口• ASMedia® ASM3142 芯片组<ul style="list-style-type: none">▪ 1 个 USB 3.2 Gen2 (SuperSpeed USB 10Gbps) Type-C 内部接口• Intel® X299 芯片组<ul style="list-style-type: none">▪ 8 个 USB 3.2 Gen1 (SuperSpeed USB) 端口 (4 个后置面板端口, 通过内部 USB 接口可使用 4 个端口)▪ 8 个 USB 2.0 (High-speed USB) 端口 (4 个后置面板端口, 通过内部 USB 接口可使用 4 个端口)
音频	1 个 Realtek® ALC1220 解码芯片 <ul style="list-style-type: none">• 7.1-声道高清音频• 支持 S/PDIF 输出
后置面板接口	<ul style="list-style-type: none">• 1 个 PS/2 键盘/鼠标组合端口• 1 个清除 CMOS 按钮• 4 个 USB 2.0 Type-A 端口• 4 个 USB 3.2 Gen1 Type-A 端口• 1 个 2.5G LAN (RJ45) 端口• 1 个 1G LAN (RJ45) 端口• 1 个 USB 3.2 Gen2x2 Type-C 端口• 5 个 OFC 音频插孔• 1 个 光纤 S/PDIF 输出接口

转下一页

接上一页

内部接口	<ul style="list-style-type: none">• 1 个 24-pin ATX 主电源接口• 2 个 8-pin ATX 12V 电源接口• 6 个 SATA 6Gb/s 接口• 2 个 USB 2.0 接口 (额外支持 4 个 USB 2.0 端口)• 2 个 USB 3.2 Gen1 接口 (额外支持 4 个 USB 3.2 Gen1 端口)• 1 个 USB 3.2 Gen 2 Type-C 端口• 1 个 4-pin CPU 风扇接口• 1 个 4-pin 水冷接口• 4 个 4-pin 系统风扇接口• 1 个 前置面板音频接口• 2 个 系统面板接口• 1 个 TPM 模组接口• 1 个 机箱入侵检测接口• 1 个 CPU 虚拟 RAID 架构接头• 1 个 Thunderbolt 附加卡接口
LED 接口	<ul style="list-style-type: none">• 1 个 4-pin RGB LED 接口• 2 个 3-pin ARGB LED 接口• 1 个 3-pin CORSAIR LED 接口
内部按钮	<ul style="list-style-type: none">• 1 个 电源按钮• 1 个 重启按钮
跳线	<ul style="list-style-type: none">• 1 个 清除 CMOS 跳线
侦错 LED 灯	<ul style="list-style-type: none">• 4 个 简易侦错 LED 灯
I/O 控制器	NUVOTON NCT6797 控制器芯片
硬件监控	<ul style="list-style-type: none">• CPU/系统温度检测• CPU/系统风扇速率检测• CPU/系统风扇速率控制
尺寸规格	<ul style="list-style-type: none">• ATX 尺寸规格• 12 英寸 x 9.6 英寸 (30.5 厘米 x 24.4 厘米)

转下一页

接上一页

BIOS 功能	<ul style="list-style-type: none">• 1 个 128 Mb flash• UEFI AMI BIOS• ACPI 6.1, SMBIOS 3.0• 多国语言
软件	<ul style="list-style-type: none">• 驱动程序• DRAGON CENTER• MSI GAMING 版 CPU-Z• Google 浏览器™, Google 工具栏, Google 云端硬盘• 诺顿™ 网络安全解决方案
Dragon Center 功能	<ul style="list-style-type: none">• 动态RGB LED炫光系统• 硬件监视器• True Color• Live Update• 加速软件• 智能工具• 快速充电 <div data-bbox="657 563 785 691"></div> <p data-bbox="653 711 889 767">有关更多详细信息, 请参阅 http://download.msi.com/manual/mb/DRAGONCENTER2.pdf。</p>
特殊功能	<ul style="list-style-type: none">• 音频<ul style="list-style-type: none">▪ 第四代音皇技术• 网络<ul style="list-style-type: none">▪ 双 LAN▪ 2.5G LAN▪ 网卡管理软件▪ 万兆网卡 (可选的附加卡)• 存储<ul style="list-style-type: none">▪ 双重极速 M.2▪ M.2 XPANDER-Z GEN4 (可选的附加卡)• 风扇<ul style="list-style-type: none">▪ 水冷风扇▪ 智能风扇控制系统

转下一页

接上一页

特殊功能

- 冷却
 - 扩展型散热片设计
 - 水冷风扇
- LED 灯
 - 炫光系统扩展技术 (RGB)
 - 炫光系统扩展技术 (RAINBOW)
 - 炫光系统扩展技术 (CORSAIR)
 - 炫光系统同步技术
 - 简易侦错 LED 灯
- 防护
 - M.2 冰霜铠甲
 - PCI-E 钢铁装甲
 - PCI-E 钢铁插槽
- 性能
 - 多显卡-SLI 技术
 - 多显卡-CrossFire 技术
 - DDR4 加速引擎
 - 核心加速引擎
 - USB type A+C 接口
 - Lightning (闪电) USB
 - Lightning (闪电) USB 20G
 - 双 CPU 电源
- 玩家/ 用户体验
 - DRAGON CENTER
 - 加速软件
 - 总风扇控制
 - Live Update
- BIOS
 - 第五代图形化BIOS

JCORSAIR1 接口规格

支持 CORSAIR RGB 产品	最多连接数量
Lighting Node PRO LED 灯条	20* * 在亮度为 20% 的情况下
HD120 RGB 风扇	6
SP120 RGB 风扇	6
LL120 RGB 风扇	6

包装内容

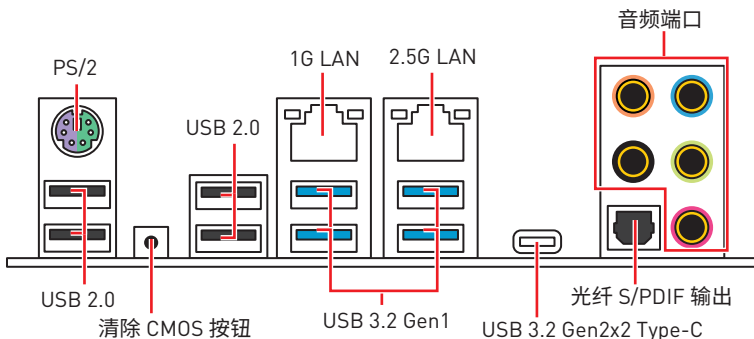
请检查您的主板包装内容。它应该包含以下内容：

主板		X299 PRO	X299 PRO 10G
文档	用户手册	1	1
	机壳螺柱警示夹页	1	1
	快速安装指南	1	1
应用程序	DVD 驱动盘	1	1
电缆	SATA 6G 电缆	2	2
	LED JRGB Y 电缆	1	1
	LED JCORSAIR 电缆	1	1
	LED JRAINBOW 电缆	1	1
扩展卡	M.2 XPANDER-Z GEN4	—	1
	10G LAN 卡	—	1
配件	机箱铭牌	1	1
	SATA 电缆贴纸	1	1
	产品注册卡	1	1
	IO 挡板	1	1
	M.2 螺丝	2	2



注意
如上述物品有任何损坏或遗失，请联系您的零售商。

后置 I/O 面板



- **清除 CMOS 按钮** - 关闭您的计算机电源。按住清除 CMOS 按钮大约 5-10 秒钟，以重启 BIOS 为默认值。

LAN 端口 LED 状态表

连线/工作灯号		速度灯号
状态	描述	
关	网络未连接	
开	网络已连接	
闪烁	网络数据在使用中	

状态	速度灯号	
	1G LAN	2.5G LAN
关	传输速率 10 Mbps	传输速率 10 Mbps
绿色	传输速率 100 Mbps	传输速率 100 M/ 1G bps
橙色	传输速率 1 Gbps	传输速率 2.5 Gbps

音频端口配置

音频端口	通道			
	2	4	6	8
中置/超重低音输出			●	●
后置喇叭输出		●	●	●
音频输入/侧置喇叭输出				●
音频输出/前置喇叭输出	●	●	●	●
麦克风输入				

(●: 连接, 空白: 空)

Realtek 音频控制台

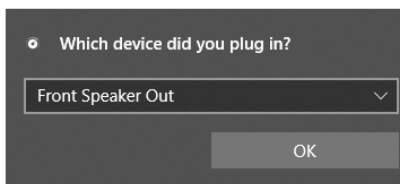
Realtek 音频控制台安装完成后,您可以用它来更改声音设置,以获得更好的音质体验。



- **设备选择** - 允许您选择一个音频输出源来更改相关选项。**检查**标志指示设备为默认值。
- **应用程序增强** - 选项的数组将为您输出和输入设备提供一个完整的预期音响效果指南。
- **主音量** - 通过由右侧/左侧的调整条来控制您在前置或后置面板上插入的扬声器音量或均衡。
- **插孔状态** - 采集设备当前与计算机连接的所有呈现和描述。
- **接口设置** - 用于配置接口设置。

自动弹出对话框

当您插入设备至音频插孔时,会弹出对话框询问您当前连接的是哪一个设备。

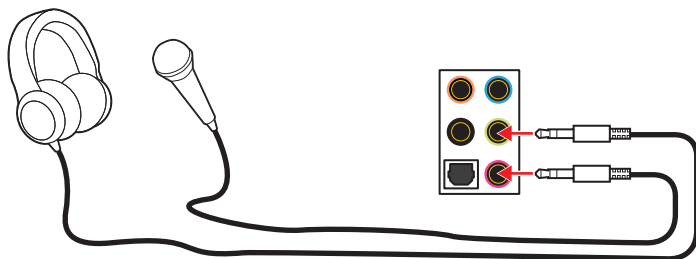


每个插孔对应的默认设置如下一页图示所示。

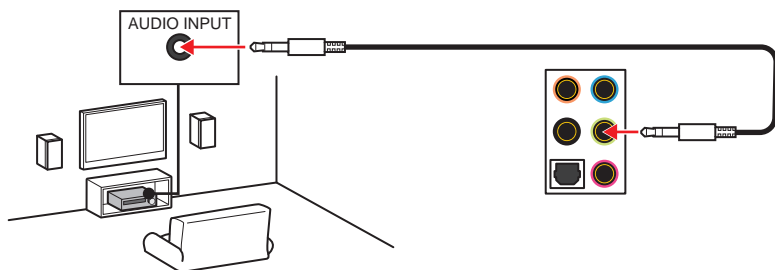


注意
以上图片仅供参考,可能与您购买的产品有所不同。

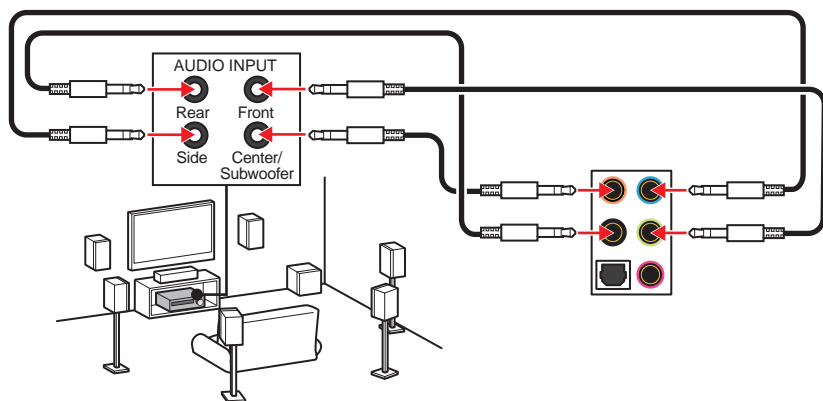
耳机和麦克风至音频插孔示意图



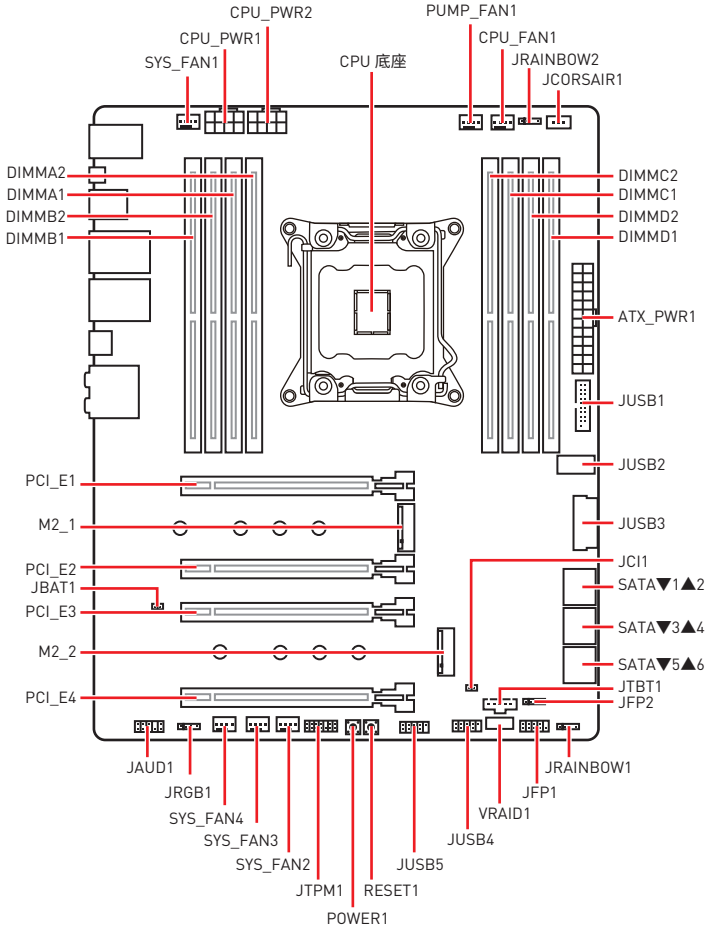
立体声喇叭至音频插孔示意图



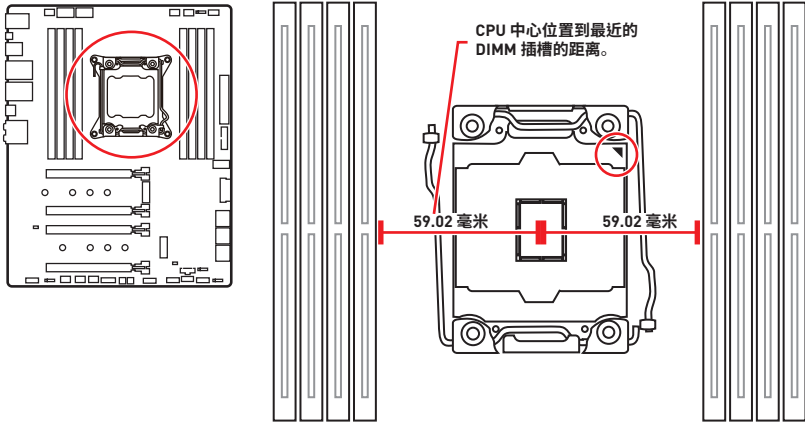
7.1-声道喇叭至音频插孔示意图



组件概述

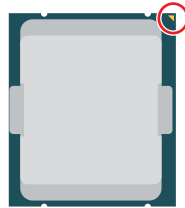


CPU 底座



LGA 2066 CPU 简介

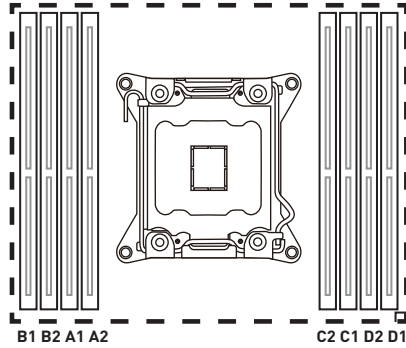
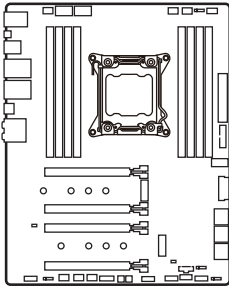
为了正确的将 CPU 放置在主板中，LGA 2066 CPU 的表面有四个**对齐点**和一个**金色三角**指示。金色三角指示为 Pin 1。



⚠ 注意

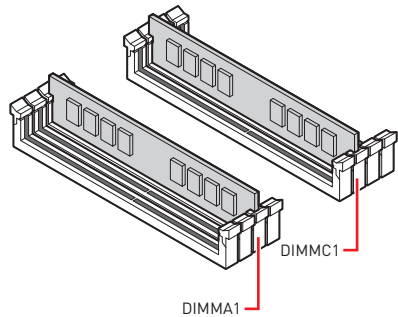
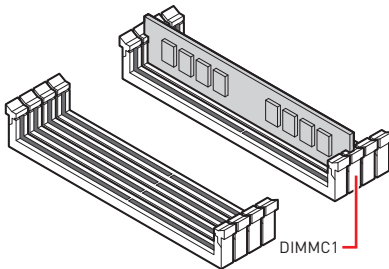
- 安装或移除 CPU 之前，请先关闭电源，并将电源线由插座上拔除。
- 安装完处理器后请保留 CPU 保护盖。微星将要求授权的 (RMA) 在处理退货验证需要主板上附带 CPU 底座上的保护盖。
- 当您安装 CPU 时，请确认已安装好 CPU 风扇。对防止过热和维持系统的稳定性 CPU 风扇是非常必要的。
- 确认在系统启动前 CPU 风扇已经牢固的粘贴在 CPU 上。
- 温度过高会严重损害 CPU 和系统，请务必确认所使用的降温风扇始终能够正常工作，保护 CPU 以免过热烧毁。确认，您已在 CPU 和散热片之间涂抹了一层平滑的散热硅胶(或热胶带) 以增强散热。
- 只要 CPU 尚未安装，请把塑料保护盖覆盖在 CPU 底座上，以避免底座受损。
- 如果您购买了一个独立 CPU 的散热片 / 冷却器，详细安装请参考散热片 / 冷却器包装内的说明书。
- 主板设计支持超频。然而，请确认您的配置能够接受这样非常规的设定。在超频时，不推荐任何超技术规范之外的动作。MSI® 不承担损坏或因为在产品规格之外不规范的操作导致的风险。

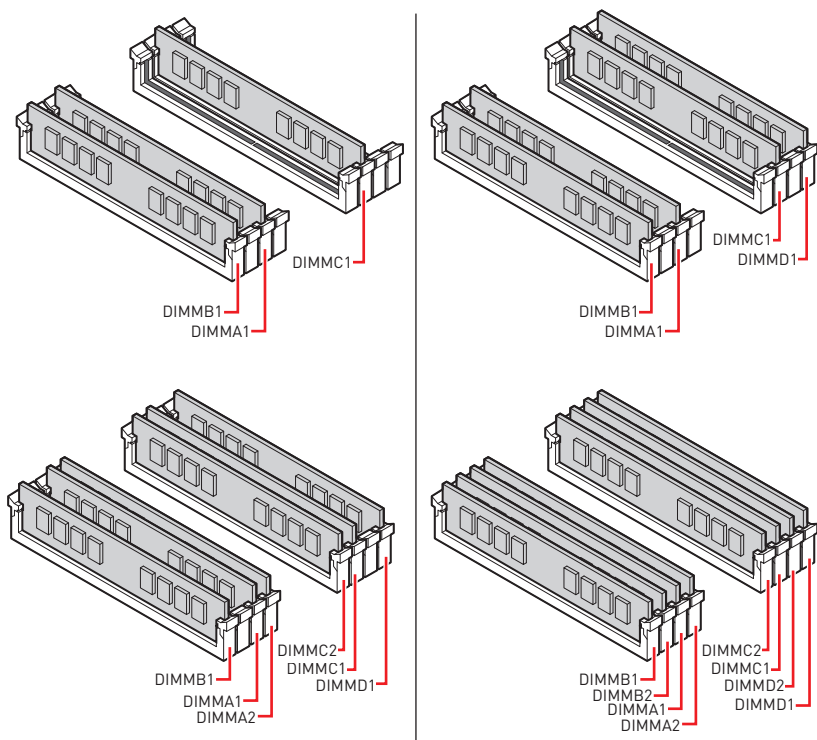
DIMM 插槽



内存模块安装建议

	B1	B2	A1	A2	CPU 底座	C2	C1	D2	D1
1 DIMM					英特尔® 酷睿™ X-series 10000/ 9000/ 78xx (以上) 处理器		✓		
2 DIMMs			✓				✓		
3 DIMMs	✓		✓				✓		
4 DIMMs	✓		✓				✓		✓
5 DIMMs	✓		✓				✓	✓	✓
6 DIMMs	✓		✓	✓			✓	✓	✓
7 DIMMs	✓	✓	✓	✓			✓	✓	✓
8 DIMMs	✓	✓	✓	✓			✓	✓	✓



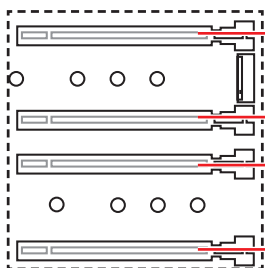


⚠ 注意

- 安装内存条模块时务必先由 **DIMMC1** 插槽开始安装。
- 为确保双/三/四通道模式下的系统稳定性, 内存模组必须是相同的类型, 数量和密度。而对于每一个通道, 奇数的 DIMM 插槽必须先安装。
- 当超频运行某些内存时频率可能会低于标明值, 皆因内存频率运行取决于其串行设备检测 (SPD)。如果您需要设置内存频率在标明或在更高频率下来运行内存, 转到 BIOS 并找到 **DRAM Frequency!**
- 建议使用一种更有效的内存的冷却系统, 用于完整 DIMM 的安装或超频。
- 当超频时, 内存模块安装的稳定性和兼容性取决于已安装的 CPU 和设备。
- 请参考 www.msi.com 网站, 以了解有关于内存兼容的详细信息。

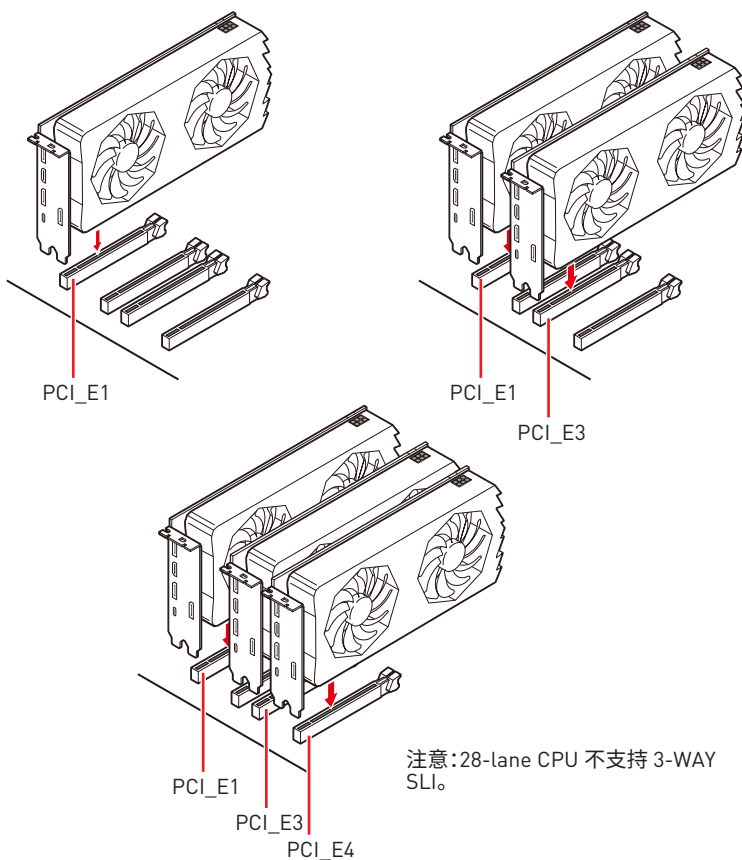
PCI_E1~4: PCIe 扩展插槽

有关 CPU 的 PCIe 通道, 请参考下表。



CPU	48-lane CPU	44-lane CPU	28-lane CPU
PCI_E1	PCIe x16	PCIe x16	PCIe x16
PCI_E2	PCIe x8	PCIe x4	PCIe x4
PCI_E3	PCIe x16	PCIe x16	PCIe x8
PCI_E4	PCIe x8	PCIe x8	不可用

多个显卡安装建议



注意

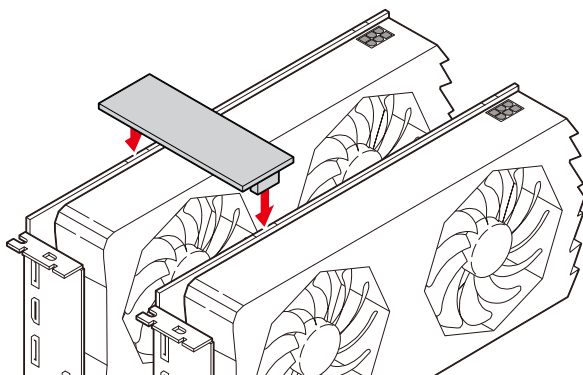
- 如果您安装了一个大而重的显卡时，您需要使用一个辅助工具如 **MSI 游戏系列显卡支架千斤顶**来支撑其重量，以防止插槽变形。
- 为了使安装单个 PCIe x16 扩展卡获得最佳性能。建议使用 **PCI_E1** 插槽。
- 当添加或移除扩展卡时，请先关闭电源，并将电源线由插座上拔除。查看关于扩展卡的文档以便检查必要附件的硬件和软件变化。

安装 SLI 显卡

建议为 SLI 配置电源，请参阅您的显卡用户指南，以确保满足所有的系统要求。

安装 SLI 显卡：

1. 先关闭计算机电源并拔下电源线，安装两块显卡插入至 **PCI_E1** 和 **PCI_E3** 插槽。
2. 使用 **SLI 桥连接器**将两张卡连接在一起。

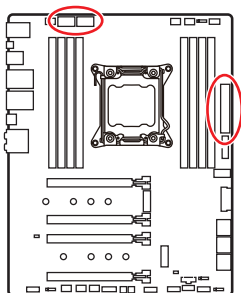


3. 连接所有 PCIe 显卡的电源接口。
4. 重新连接电源线，启动计算机电源并安装包含在您的显卡包中的驱动程序和软件。
5. 右键单击 Windows 桌面，然后选择 **NVIDIA 控制面板**菜单，在左侧任务窗格中单击配置 SLI, Surround, PhysX 以及在 SLI 配置菜单中选择最大化 3D 性能，最后点击 Apply。



CPU_PWR1~2, ATX_PWR1: 电源接口

这些接口允许您连接一个 ATX 电源供应器。



1	Ground	5	+12V
2	Ground	6	+12V
3	Ground	7	+12V
4	Ground	8	+12V

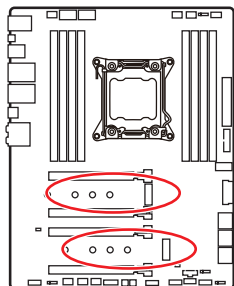
1	+3.3V	13	+3.3V
2	+3.3V	14	-12V
3	Ground	15	Ground
4	+5V	16	PS-ON#
5	Ground	17	Ground
6	+5V	18	Ground
7	Ground	19	Ground
8	PWR OK	20	Res
9	5VSB	21	+5V
10	+12V	22	+5V
11	+12V	23	+5V
12	+3.3V	24	Ground



注意

确认所有接口都已正确的连接到 ATX 电源供应器上, 以确保主板稳定的运行。

M2_1~2: M.2 接口 (M 键)



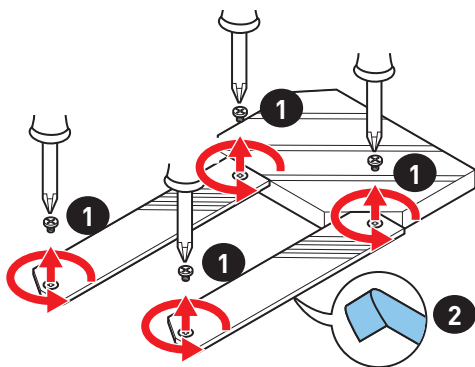
视频演示

观看视频, 了解如何安装 M.2 模块。

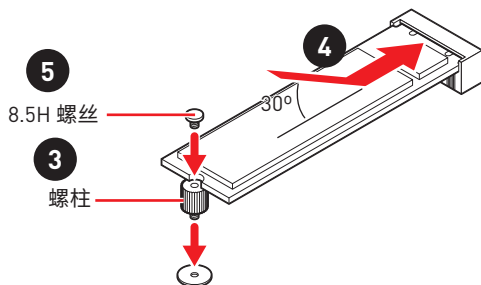
http://v.youku.com/v_show/id_XNzUyMTY3MjY4.html

安装 M.2 模块

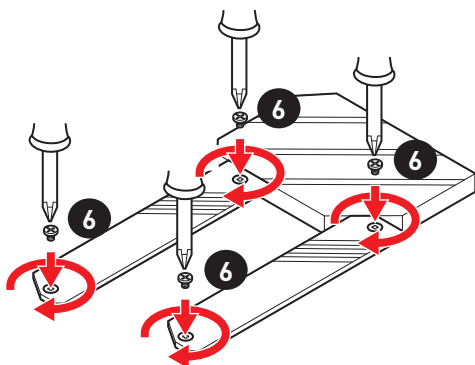
1. 将 M.2 冰霜铠甲上的螺丝移除。
2. 移除 M.2 冰霜铠甲并从导热垫上取下保护膜。



3. 如果需要, 根据 M.2 固态硬盘的长度移动螺柱的位置。
4. 将 M.2 固态硬盘以 30 度角插入 M.2 接口。
5. 用产品包装内随货附上的 M.2 8.5H 螺丝将 M.2 固态硬盘固定到位。



6. 将 M.2 冰霜铠甲散热片放回原位并固定。

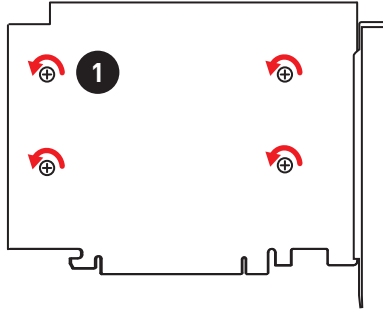


安装 M.2 XPANDER-Z GEN 4 (选择性配置)

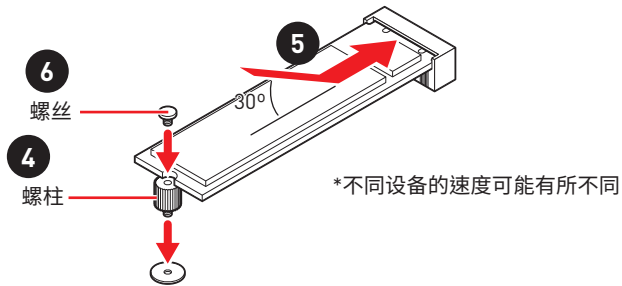
M.2 XPANDER-Z GEN 4 提供四个 M.2 Key-M 接口。

若安装 M.2 XPANDER-Z GEN 4 卡, 请参照下列步骤:

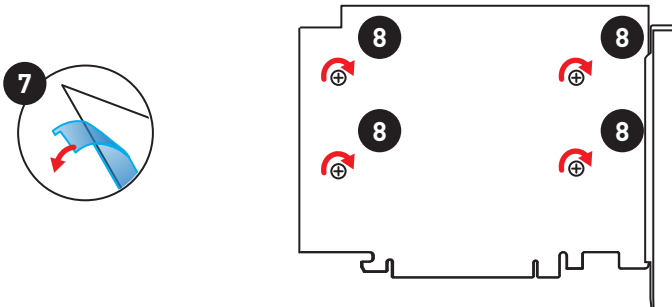
1. 拧开 M.2 XPANDER-Z GEN 4 底部的四个散热片螺丝, 移除散热片。



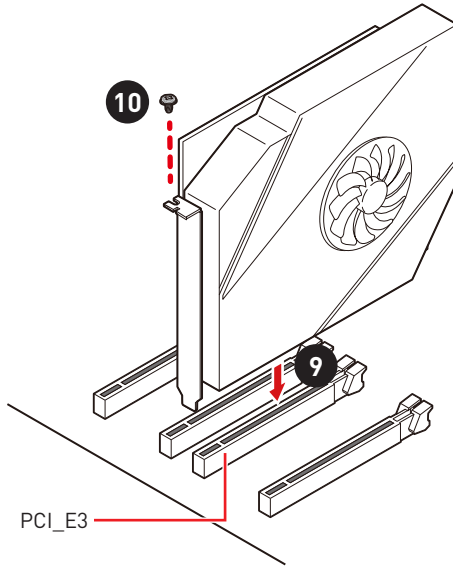
2. 从 M.2 螺柱上拧开 M.2 螺丝。
3. 拧开 M.2 螺柱。
4. 将 M.2 螺柱移动并固定到 M.2 固态硬盘的适当位置。
5. 将您的 M.2 固态硬盘以 30 度角插入到 M.2 接口。
6. 用 M.2 螺丝将 M.2 设备固定到位。



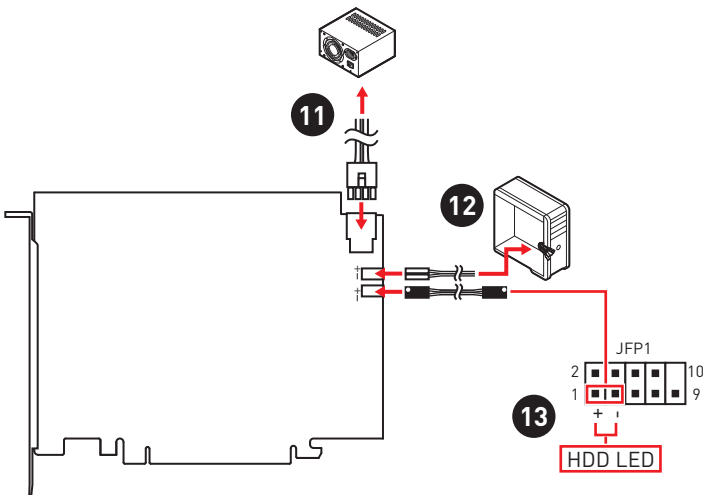
7. 从散热片的导热垫上取下保护膜。
8. 使用四个散热片螺丝重新安装并固定散热片。



9. 将 M.2 XPANDER-Z GEN 4 卡插入 **PCI_E3** 插槽。
10. 使用螺丝固定 M.2 XPANDER-Z GEN 4 卡。

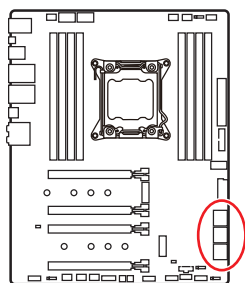


11. 将 PCIE_PWR1 连接至电源供应器。
12. 将机箱的 HDD LED 电缆连接至 JCASE 接口。
13. 使用所提供的 HDD LED 电缆连接 JMB 接口和 JFP1 上的 HDD 针脚 (针脚1和针脚3)。



SATA1~6: SATA 6Gb/s 接口

这些接口是串行 SATA 6Gb/s 界面接口。每个接口可以连接一个串行 SATA 设备。

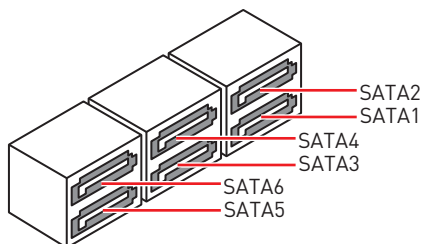


PCI_E2, M2_2 和 SATA2 组合表

插槽	组合			
PCI_E2	安装 (CPU 通道)	安装 (CPU 通道)	空	空
M2_2	PCIe 固态硬盘 (PCH 通道)	SATA 固态硬盘 (PCH 通道)	SATA 固态硬盘 (PCH 通道)	PCIe 固态硬盘 (CPU 通道)
SATA2	可用的	不可用	不可用	不可用

M2_1 和 SATA1 组合表

插槽	组合	
M2_1	PCIe 固态硬盘 (PCH 通道)	SATA 固态硬盘 (PCH 通道)
SATA1	可用的	不可用

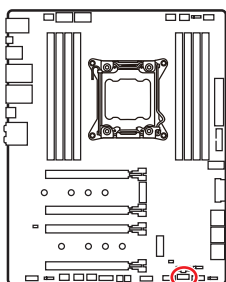


注意

- 请勿将串行 SATA 数据线对折成 90 度。否则，传输过程中可能会出现数据丢失。
- SATA 数据线的两端有相同的插口，然而，为了节省空间建议连接扁平接口端在主板上。

VRAID1: CPU 虚拟 RAID 架构接头

此接口允许您连接 VROC (CPU 虚拟 RAID 架构) 键模块。您需要使用 Intel® RSTe (英特尔® 快速存储技术企业) 驱动程序启用 VROC 功能。



1			
[. . .]			
1	GND	2	VCC3
3	GND	4	SATA_RAID_KEY

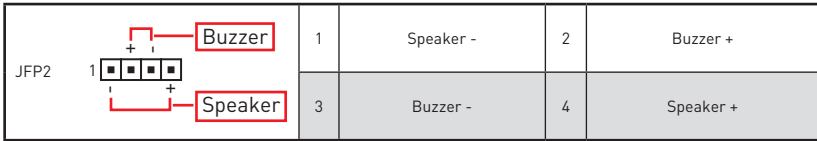
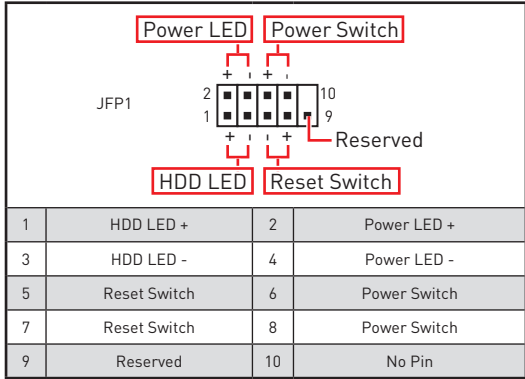
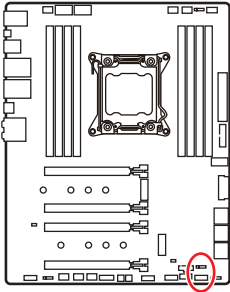


注意

该 VROC 键模块需单独购买。

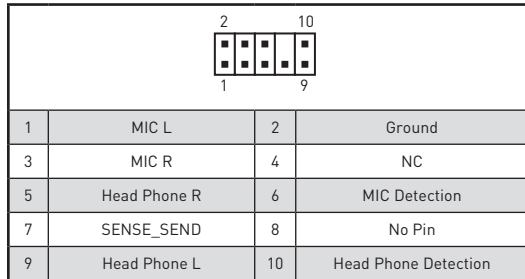
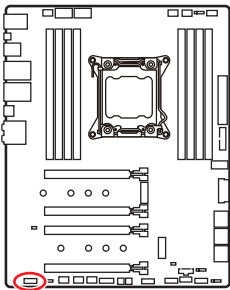
JFP1, JFP2: 前置面板接口

这些接口连接至前置面板上的开关和 LED 灯。



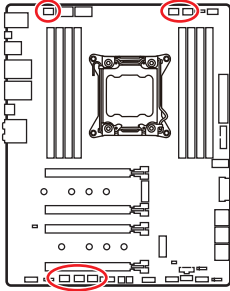
JAUD1: 前置音频接口

此接口允许您连接前置面板上音频插孔。



CPU_FAN1, PUMP_FAN1, SYS_FAN1~4: 风扇接口

风扇接口可分为 PWM (脉冲宽度调制) 模式和 DC 模式。PWM 模式风扇接口使用速率控制信号提供恒定的 12V 输出和调节风扇速率。DC 模式风扇接口通过改变电压控制风扇速率。此款主板可以自动检测 PWM 模式和 DC 模式。但是,您可以按照以下说明手动将风扇接口调整为 PWM 模式或 DC 模式。

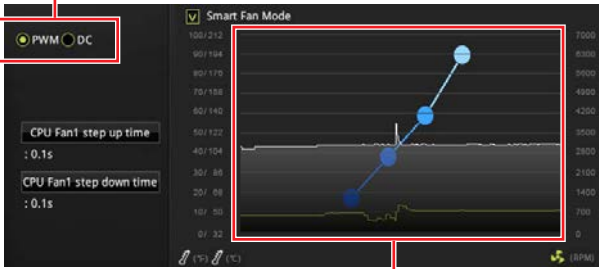


CPU_FAN1/ PUMP_FAN1/ SYS_FAN1~4

切换风扇模式和调整风扇速率

您可以在 PWM 模式和 DC 模式之间切换,并在 **BIOS > HARDWARE MONITOR** 中调整风扇速率。

选择 **PWM 模式** 或 **DC 模式**



提供风扇速率渐变梯度点,允许您以 CPU 的温度来调节风扇速率。



注意

确认在切换 PWM/ DC 模式后,风扇工作正常。

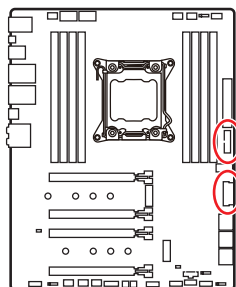
风扇接口引脚定义

PWM 模式引脚定义			
1	Ground	2	+12V
3	Sense	4	Speed Control Signal

DC 模式引脚定义			
1	Ground	2	Voltage Control
3	Sense	4	NC

JUSB1, JUSB3: USB 3.2 Gen1 接口

这些接口允许您在前置面板上来连接 USB 3.2 Gen1 端口。



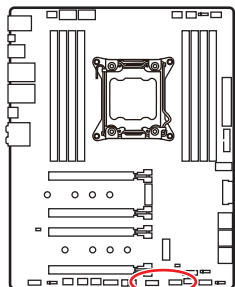
1	Power	11	USB2.0+
2	USB3_RX_DN	12	USB2.0-
3	USB3_RX_DP	13	Ground
4	Ground	14	USB3_TX_C_DP
5	USB3_TX_C_DN	15	USB3_TX_C_DN
6	USB3_TX_C_DP	16	Ground
7	Ground	17	USB3_RX_DP
8	USB2.0-	18	USB3_RX_DN
9	USB2.0+	19	Power
10	NC	20	No Pin



注意

请注意, 电源和接地针脚必须正确连接以避免可能的损坏。

JUSB4~5: USB 2.0 接口



1	VCC	2	VCC
3	USB0-	4	USB1-
5	USB0+	6	USB1+
7	Ground	8	Ground
9	No Pin	10	NC

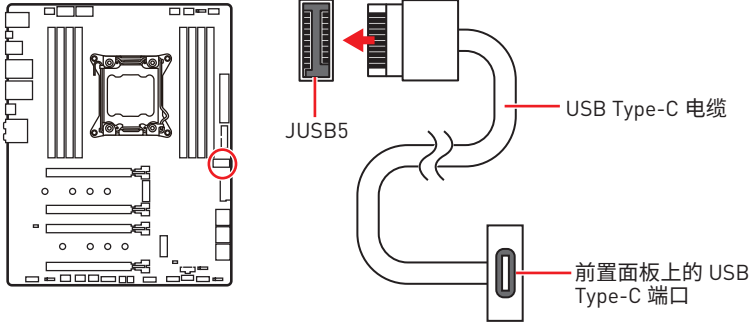


注意

- 请注意, VCC 和接地针脚必须正确连接以避免可能的损坏。
- 为了将您的 iPad, iPhone 和 iPod 通过 USB 端口进行充电, 请安装 MSI DRAGON CENTER 工具程序。

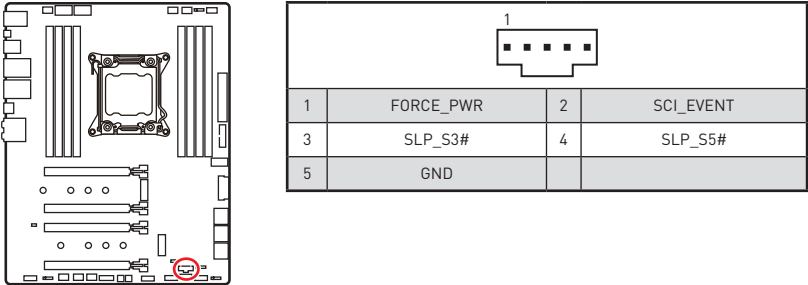
JUSB2: USB 3.2 Gen2 Type-C 接口

此接口允许您在前置面板上来连接 USB 3.2 Gen 2 Type-C 接口。该接口具有防呆设计。当您连接电缆时，请务必将其与相应的方向连接。



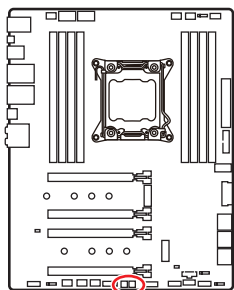
JTBT1: Thunderbolt 附加卡接口

此接口允许您连接附加的 Thunderbolt I/O 卡。



POWER1, RESET1: 电源按钮, 重启按钮

此电源 / 重启按钮允许您开机 / 重启计算机。



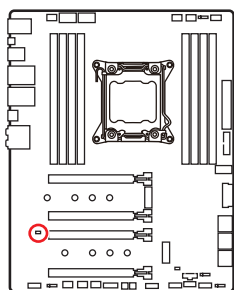
电源按钮



重启按钮

JBAT1: 清除 CMOS (重启 BIOS) 跳线

主板上建有一个 CMOS 内存, 其中保存的系统配置数据需要通过一枚外置的电池来维持它。如果您想清除系统配置, 设置跳线清除 CMOS 内存。



保留数据
(默认)



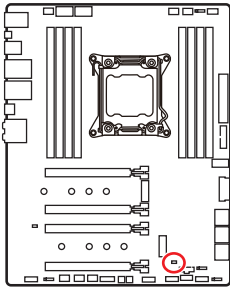
清除 CMOS / 重
启 BIOS

重启 BIOS 为默认值

1. 关闭计算机电源, 并拔下电源插头。
2. 使用跳线帽让 JBAT1 短路持续约 5-10 秒。
3. 移除 JBAT1 上的跳线帽。
4. 插上电源插头并开启计算机上电源。

JCI1: 机箱入侵检测接口

此接口可用于连接机箱入侵检测开关线。



正常
(默认)



禁用机箱入侵检测

使用机箱入侵检测器

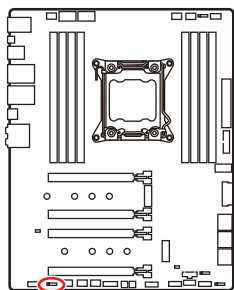
1. JCI1 接口连接机箱上的机箱入侵检测开关和传感器。
2. 关闭机箱盖。
3. 转到 **BIOS > SETTINGS > Security > Chassis Intrusion Configuration**。
4. 设置 **Chassis Intrusion** 为 **Enabled**。
5. 按 **F10** 保存并退出, 然后按 **Enter** 键选择 **Yes**。
6. 当计算机开启时, 一旦打开机箱盖, 将会在屏幕上显示一个警告信息。

重设机箱入侵检测警告

1. 转到 **BIOS > SETTINGS > Security > Chassis Intrusion Configuration**。
2. 设置 **Chassis Intrusion** 为 **Reset**。
3. 按 **F10** 保存并退出, 然后按 **Enter** 键选择 **Yes**。

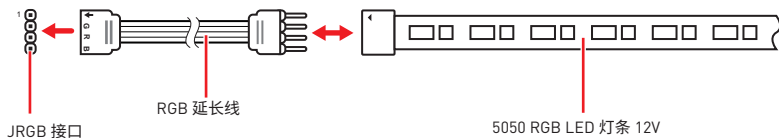
JRGB1: RGB LED 接口

JRGB 接口允许您连接 5050 RGB LED 灯条 12V。

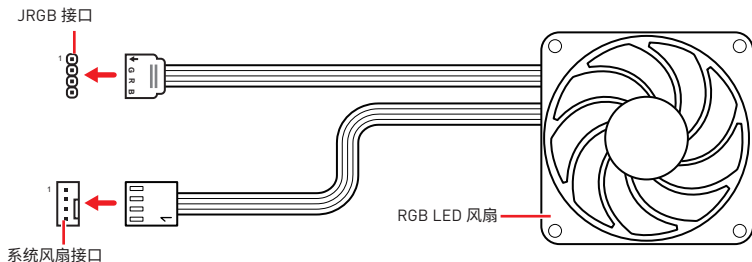


1			
1	+12V	2	G
3	R	4	B

RGB LED 灯条连接



RGB LED 风扇连接

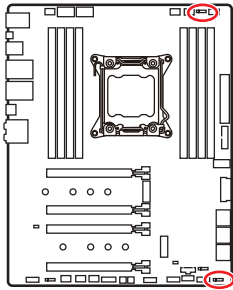


注意

- JRGB 接口支持高达 2 米连续的 5050 RGB LED 灯条 (12V/G/R/B) 和最大额定功率 3A (12V)。
- 在安装或拆卸 RGB LED 灯条时, 请先关闭电源, 并将电源线由插座上拔除。
- 请使用 MSI 软件来控制扩展 LED 灯条。

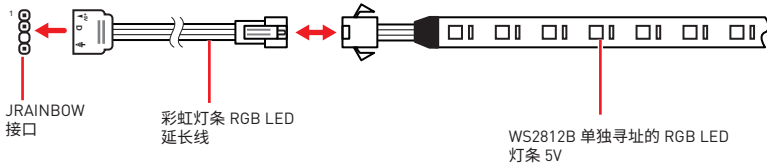
JRAINBOW1~2: 寻址 RGB LED 接口

JRAINBOW 接口允许您连接 WS2812B 单独寻址 RGB LED 灯条 5V。

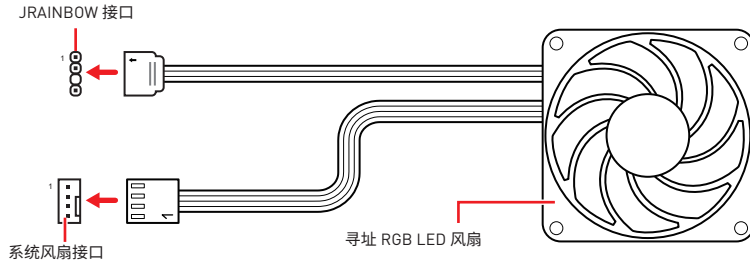


1			
1	+5V	2	Data
3	No Pin	4	Ground

寻址 RGB LED 灯条连接



寻址 RGB LED 风扇连接



警告

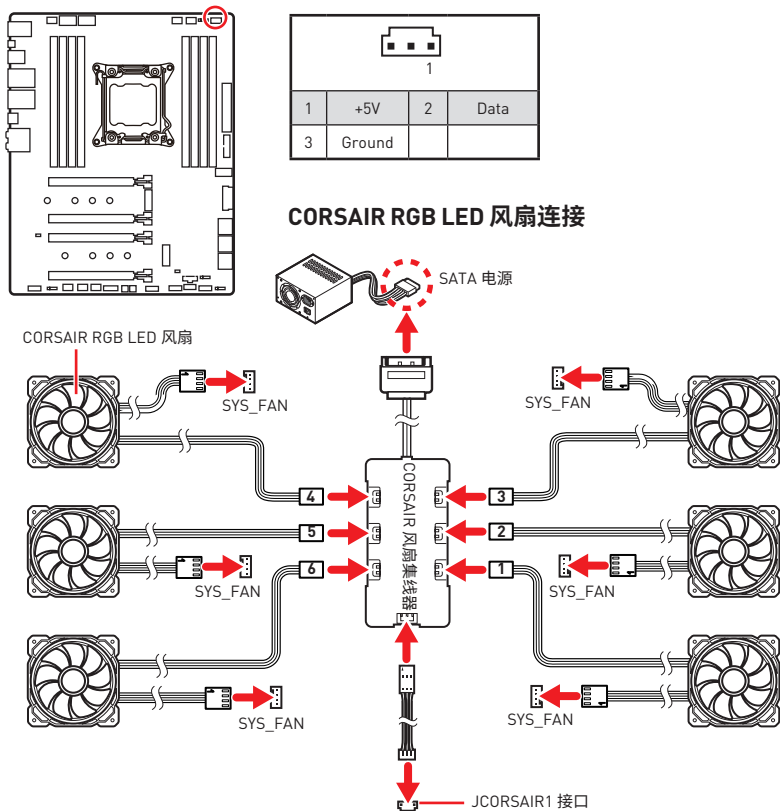
不要连接错误类型的 LED 灯条。JRGB 接口和 JRAINBOW 接口提供不同的电压，如将 5V LED 灯条连接到 JRGB 接口将会损坏 LED 灯条。

注意

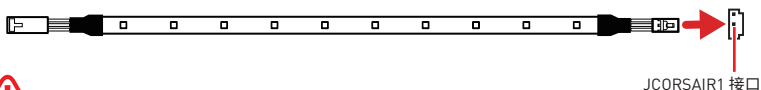
- JRAINBOW 支持多达 75 个 LED WS2812B 单独寻址 RGB LED 灯条 (5V/Data/Ground) 和最大额定功率 3A (5V)。在亮度为 20% 情况下，最多连接数量可支持 200 个 LED。
- 在安装或拆卸 RGB LED 灯条时，请先关闭电源，并将电源线由插座上拔除。
- 请使用 MSI 软件来控制扩展 LED 灯条。

JCORSAIR1: CORSAIR 接口

JCORSAIR1 接口允许您连接 CORSAIR 单独寻址 RGB LED 灯条 5V 或透过 CORSAIR 风扇集线器连接 CORSAIR RGB LED 风扇。一旦所有项目连接正确,您就可以使用 MSI 软件控制 CORSAIR RGB LED 灯条和风扇。



CORSAIR Lighting Node PRO 连接



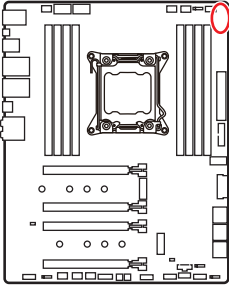
⚠ 注意

- 连接风扇与 CORSAIR 风扇集线器时,请依 1 > 2 > 3 > 4 > 5 > 6 的顺序。如果以错误顺序连接风扇,通信将受到干扰,RGB LED lighting 功能将不工作。
- 不同型号的 RGB LED 风扇或 RGB LED Lighting PRO 灯条的数量可能有所不同。请参阅主板规格更多的信息。
- CORSAIR RGB LED 风扇和 CORSAIR Lighting Node PRO 不能同时使用。

板载 LED 灯

简易侦错 LED 灯

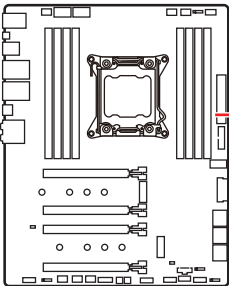
LED 指示灯在主板中的侦错状态。



- CPU** - 表示 CPU 无法检测或故障。
- DRAM** - 表示 DRAM 无法检测或故障。
- VGA** - 表示 GPU 无法检测或故障。
- BOOT** - 表示启动设备无法检测或故障。

XMP LED 灯

此 LED 指示灯显示 XMP (扩展内存配置文件) 模式已开启。



XMP LED 灯

安装操作系统, 驱动程序和工具程序

请通过 www.msi.com 下载并更新最新的工具程序和驱动程序

安装 Windows® 10

1. 启动计算机电源。
2. 将 Windows® 10 安装光盘/ USB 插入计算机。
3. 按下计算机上的 **Restart** 按钮。
4. 计算机 POST (开机自我测试) 过程中按 **F11** 键进入启动菜单。
5. 从引导菜单中选择 Windows® 10 安装光盘/USB。
6. 当屏幕显示 **Press any key to boot from CD or DVD...** 信息时按住任意键。
7. 按照屏幕上的指示操作安装 Windows® 10。

安装驱动

1. 启动您的计算机进入 Windows® 10。
2. 将 MSI® 驱动光盘放入您光驱中。
3. 点击 **Select to choose what happens with this disc** 弹出式通知, 然后选择 **Run DVDSetup.exe** 来打开安装程序。如果从 Windows 控制面板关闭 AutoPlay 功能, 您仍然可以从 MSI 驱动程序光盘的根路径手动执行 **DVDSetup.exe**。
4. 安装程序将在 **Drivers/Software** 选项卡中查找并列出所有必要的驱动程序。
5. 点击窗口右下角的 **Install** 按钮。
6. 驱动程序的安装将继续进行, 完成后将提示您重新启动。
7. 点击 **OK** 按钮完成安装。
8. 重新启动您的电脑。

安装工具

在安装工具前, 您需先完成驱动的安装。

1. 如上所述打开安装程序。
2. 点击 **Utilities** 选项卡。
3. 选择您需要安装的工具。
4. 点击窗口右下角的 **Install** 按钮。
5. 工具安装开始进行, 完成安装后将提醒您重启。
6. 点击 **OK** 按钮完成安装。
7. 重新启动您的电脑。

BIOS 设置

在正常情况下，默认设置为系统稳定提供最佳性能。您应该**始终保持默认设置**，以避免可能出现的系统损坏或无法开机，除非您熟悉 BIOS 设置。



注意

- 了获得更好的系统性能，BIOS 项目描述不断更新。因此，这些描述可能有些稍微的不同，仅供参考。您也可以参考 BIOS 项目描述的**帮助**信息面板。
- 本章中的图片仅供参考，可能与您所购买的产品而有差异。

进入 BIOS 设置

请参考以下方法进入 BIOS 设置。

在开机程序中，当屏幕上出现 **Press DEL key to enter Setup Menu, F11 to enter Boot Menu** 信息，按下 **Delete** 键。

- 在 **MSI Dragon Center** 应用程序中，点击 **G02BIOS** 按钮并选择 **OK**。该系统将重新启动并直接进入 BIOS 设置。

功能键

F1: 主题帮助

F2: 添加/删除一个最喜欢的项目

F3: 进入 Favorites 定制化选单功能菜单

F4: 进入 CPU 规格菜单

F5: 进入 Memory-Z 菜单

F6: 载入优化设置默认值

F7: 高级模式 and EZ 模式之间切换

F8: 载入超频参数

F9: 保存超频参数

F10: 保存更改并重新启*

F12: 采取截图并将其保存到 U 盘中 (仅适用于 FAT/ FAT32 格式)。

Ctrl+F: 进入搜索页面

* 当您按 F10 时，会出现一个确认窗口，它提供了变更信息。请依您的需求选择 Yes 或 No。

重启 BIOS

您可能需要还原默认的 BIOS 设置来解决某些问题。有几种方法来重启 BIOS：

- 转到 BIOS, 然后按 **F6** 载入优化设置默认值。
- 短路主板上的清除 CMOS 跳线。



注意

在清除 CMOS 数据之前, 请确保计算机已关机。请参考清除 CMOS 跳线部分, 以了解重启 BIOS 的相关信息。

更新 BIOS

使用 M-FLASH 更新 BIOS

更新前：

请从 MSI 的网站下载符合您主板型号的最新 BIOS 文件。然后将 BIOS 文件保存到 U 盘中。

更新 BIOS：

1. 插入内有欲更新文件的 U 盘到 USB 端口上。
2. 请参考以下方法进入 flash 模式。
 - 在 POST 过程中重启并按 **Ctrl + F5** 键, 然后点击 **Yes** 以重新启动系统。
 - 在 POST 过程中重启并按 **Del** 键进入 BIOS。单击 **M-FLASH** 按钮, 然后点击 **Yes** 以重新启动系统。
3. 选择一个 BIOS 文件执行 BIOS 更新过程。
4. 刷新 100% 完成后, 系统将自动重启。

使用 MSI DRAGON CENTER 更新 BIOS

更新前：

请确认已安装 LAN 驱动程序以及正确设置因特网连接。

更新 BIOS：

1. 安装并运行 MSI DRAGON CENTER。
2. 选择 **BIOS Update**。
3. 点击 **Scan** 按钮。
4. 点击 **Download** 图标下载并安装最新的 BIOS 文件。
5. 单击 **Next**, 选择 **In Windows mode**。然后再单击 **Next** 以及 **Start** 以开始更新 BIOS。
6. 刷新 100% 完成后, 系统将自动重启。

EZ 模式

EZ 模式，它提供了基本的系统信息，并允许您配置基本设置。请通过按**设置模式开关**或**F7** 功能键进入高级模式，来配置高级 BIOS 设置。



- **第四代易超频精灵开关** - 点击此按钮来切换第四代易超频精灵用于超频。

⚠ 注意

激活**第四代易超频精灵**功能后，请勿更改 OC 菜单并且不要加载默认值，以保持最佳的性能和系统稳定性。

- **XMP 开关** - 点击内圈开启或关闭 XMP (扩展内存配置文件)。切换外圈选来 XMP 配置文件。此开关仅当 XMP 内存模块安装时支持。
- **设置模式开关** - 按此选项卡或 **F7** 键至高级模式 and EZ 模式之间切换。
- **截图** - 点击此选项卡或 **F12** 键来采取截图并将其保存到 U 盘中 (仅适用于 FAT/ FAT32 格式)。
- **搜索** - 点击此选项卡或 **Ctrl+F** 键，搜索页面将显示。它允许您通过 BIOS 项目名称搜索，输入项目名称查找项目列表。将鼠标移动到空白处，然后右键单击鼠标退出搜索页面。

⚠ 注意

在搜索页面中，只有 **F6**, **F10** 和 **F12** 功能键可用。

- **语言** - 允许您选择 BIOS 设置语言。
- **系统信息** - 显示 CPU/ DDR 速率, CPU/ MB 温度, MB/ CPU 类型, 内存大小, CPU/ DDR 电压, BIOS 版本和创建日期。
- **启动设备优先权栏** - 您可以移动设备图标来改变启动设备优先权。从高到低的引导优先级是左到右。

- **信息显示** - 点击在左侧的 **CPU, Memory, Storage, Fan Info** 以及 **Help** 按钮来显示相关信息。
- **功能按钮** - 通过点击它们各自的按钮启用或禁用 **LAN 可选 ROM, M.2/Optane Genie, 专家模式, AHCI/RAID, 指示 LED 控制和 RGB 灯控制**。
- **M-Flash** - 点击此按钮可以执行 **M-Flash** 功能, 它提供以 U 盘方式来更新 BIOS。
- **硬件监视器** - 点击此按钮可以显示 **Hardware Monitor** 菜单, 允许您通过百分比设置控制风扇转速。
- **Favorites 客制化选单功能** - 任意按下 **Favorites客制化选单功能**选项卡或 **F3** 键即可进入 **Favorites客制化选单功能**菜单。它允许您创建您的个人 BIOS 菜单, 您可以保存和访问最喜欢/最常用 BIOS 设置系统。
 - **默认主页** - 允许您选择 BIOS 菜单 (例如:SETTINGS 菜单, OC 菜单...等) 作 BIOS 主页。
 - **Favorite1~5(最爱 1~5)** - 允许您将经常使用/爱好的 BIOS 设置选项加入到一个页面中。
 - **将 BIOS 选项加入到一个最爱页面中(最爱 1~5)**
 1. 将鼠标移动到 BIOS 选项上, 包含 BIOS 菜单及搜索页面。
 2. 单击右键或按 **F2** 键。
 3. 选择一个最爱的页面, 然后点击 **OK**。
 - **从最爱页面中删除 BIOS 选项**
 1. 将鼠标移动到最爱的页面一个 BIOS 选项 (最爱 1~5)
 2. 单击右键或按 **F2** 键。
 3. 选择 **Delete** 并点击 **OK**。

高级模式

在 BIOS 设置中按**设置模式开关**或 **F7** 功能键可以在 EZ 模式和高级模式之间进行切换。



- **BIOS 菜单选择** - 下列选项是可用的：
 - **SETTINGS** - 允许您来指定芯片组和启动设备的参数。
 - **OC** - 允许您来调整频率和电压，增加频率可能获得更好的性能。
 - **M-FLASH** - 提供 U 盘来更新 BIOS。
 - **OC PROFILE** - 允许您管理超频配置文件。
 - **HARDWARE MONITOR** - 允许您来设置风扇速度和检测系统电压。
 - **BOARD EXPLORER** - 提供主板上已安装的设备信息。
- **菜单显示** - 提供了可配置的 BIOS 设置和信息。

OC 菜单

此菜单为想要对主板超频的高级用户提供。



注意

- 仅建议高级用户手动超频您的电脑。
- 超频没有任何保障，不正确的操作可能导致保修无效或严重损坏您的硬件。
- 如果您对超频不熟悉，我们建议您使用易超频的**第四代易超频精灵**功能选项。
- OC 菜单中的 BIOS 项目将随处理器而变化。

► OC Explore Mode [Normal]

开启或关闭对超频设置的一般或专业版本的显示。

[Normal] 在 BIOS 设置中提供正常的超频设置。

[Expert] 在 BIOS 设置中提供专业超频设置为有经验用户来配置。

注意：对于专业模式超频设置我们使用 * 作为标志。

► CPU Ratio Apply Mode [All Core]*

设置 CPU 倍频的应用模式。此项仅在安装的 CPU 支持 **Turbo Boost** 时出现。

[All Core] 开启 **CPU Ratio**。所有的 CPU 内核都将以您在 **CPU Ratio** 中设置的那一个 CPU 倍频值来运行。

[Per Core] 开启 **Core X X of X xxxx MHz**。为每一个 CPU 内核分别设置其倍频值。

[Turbo Ratio] 开启 **X-Core Ration Limit**。此选项仅在安装的 CPU 支持此功能时出现。

► X-Core Ratio Limit [Auto]*

允许您在 Turbo Boost 模式下设定 CPU 不同核心数的倍频值。这些项仅在 **CPU Ratio Apply Mode** 设置为 **Turbo Ratio** 时出现。

► Adjusted CPU Frequency

显示已经调整的 CPU 频率。只读。

► Core X X of X xxxx MHz [Auto]*

允许您在 Turbo Boost 模式下设定 CPU 不同核心数的倍频值。这些项仅在 **CPU Ratio Apply Mode** 设置为 **Per Core** 时出现。

► CPU Ratio Offset When Running AVX [Auto]

设置一个偏移值以降低 CPU 核心比率。当运行 AVX 指令集时,它有利于帮助散热。如果设置为 Auto, BIOS 将自动配置此设置。此项在安装的 CPU 支持此功能时出现。

► Ring Ratio [Auto]

设置 ring ratio 选项。有效值范围取决于已安装的 CPU。

► Adjusted Ring Frequency

显示已经调整的 Ring 频率。只读。

► Misc Setting*

按 Enter, + 或 - 键来打开或关闭下列与 CPU 相关的 3 项功能。

► EIST [Enabled]*

开启或关闭改进的 Intel® SpeedStep 技术。

[Enabled] 开启 EIST, 动态的调整 CPU 电压和内核频率。它可以减少耗电量和发热量。

[Disabled] 关闭 EIST。

► Intel Turbo Boost [Enabled]*

开启或关闭 Intel® Turbo Boost。此项在安装的 CPU 支持此功能时出现。

[Enabled] 开启此功能它会自动提升高于额定规格的 CPU 性能。当应用程序需要处理器达最高性能状态时。

[Disabled] 关闭此功能。

► Enhanced Turbo [Auto]*

开启或关闭 CPU 核心 Turbo 功能, 以提高 CPU 性能。当安装的 CPU 支持此功能时此项显示。

[Auto] 此设置由 BIOS 自动配置。

[Enabled] 增强 CPU 核心频率。

[Disabled] 关闭此功能。

► CPU Base Clock [MHz]

设置 CPU 基频。您可以通过调整数值来对 CPU 进行超频。请注意我们无法保证超频动作。当安装了支持此功能的 CPU 时此项出现。

► CPU Base Clock Apply Mode [Auto]*

为已调整的 CPU 基频设置应用模式。

[Auto] 此设置由 BIOS 自动配置。

[Next Boot] CPU 在重启后, 运行在调整后的 CPU 基础频率下。

[Immediate] CPU 立即运行在调整后的 CPU 基础频率下。

► Extreme Memory Profile (X.M.P.) [Disabled]

X.M.P. (扩展内存配置文件) 是内存模组提供的超频技术。请开启 XMP 或内存模组配置文件以超频内存。此项在被安装的内存模组支持 X.M.P. 技术时可用。

► DRAM Reference Clock [Auto]*

设置 DRAM reference clock 选项, 有效值范围取决于已安装的 CPU。此项在安装的 CPU 支持此调整时出现。

▶ DRAM Frequency [Auto]

设置内存频率选项。请注意我们无法保证超频动作。

▶ Adjusted DRAM Frequency

显示已调整的内存频率。只读。

▶ Load Memory Presets [Disabled]*

针对特定的内存模组套用预设的OC设置,可以让时脉及电压达到最佳化。



注意

由于内存模组的制造质量不同,仍建议手动调整或设定适当的内存参数。

▶ Memory Try It ! [Disabled]

此功能通过选择最优化的内存预设值来提高内存兼容性和性能。

▶ DRAM Timing Mode [Link]

选择内存时序模式。

[Link] 允许用户手动为所有内存通道配置内存时序。

[UnLink] 允许用户手动为各自内存通道配置内存时序。

▶ Advanced DRAM Configuration

按 **Enter** 进入子菜单。用户可以为内存的每个/所有通道设置内存时序。内存时序改变后系统可能变得不稳定或无法启动。如果发生这种情况,请清除 CMOS 数据并且恢复默认设置。(参阅清除 CMOS 跳线/按钮章节来清除 CMOS 数据,并进入 BIOS 加载默认设置。)

▶ Memory Fast Boot [Auto]*

开启或关闭内存每次开机时的初始化和自我检测。

[Auto] 此设置由 BIOS 自动配置。

[Enabled] 对于内存系统将完全继续第一次开机的初始化和自检配置。当第一次开机后,内存不再需要初始化和自检,以便加快系统开机速度。

[Disabled] 每次启动内存模块都会初始化并自检。

▶ CPU Voltages control [Auto]

这些选项允许您设置与 CPU 相关的指定电压。如果设置为 **Auto**, BIOS 将自动设置电压或者您可以手动地

▶ DRAM Voltages control [Auto]

这些选项允许您设置与内存相关的指定电压。如果设置为 **Auto**, BIOS 将自动设置电压或者您可以手动地设置它。

▶ CPU Memory Changed Detect [Enabled]*

此项开启或关闭 CPU 或内存变更后,系统开机发出警告信息。

[Enabled] 系统会在开机时发出警告信息和您必须为新设备载入默认值。

[Disabled] 关闭此功能,当 CPU 或内存更改时,仍使用当前设置。

► OC Quick View Timer [3 Sec]*

设置屏幕上显示的 OC 设定值的持续时间。如设置为禁用，BIOS 将不会显示 OC 设置的变化。

► CPU Specifications

按 **Enter** 进入子菜单。此子菜单显示已安装 CPU 的信息。您也可以通过按 [F4] 在任何时间访问此信息菜单。只读。

► CPU Technology Support

按 **Enter** 进入子菜单。此子菜单显示安装 CPU 的键功能。只读。

► MEMORY-Z

按 **Enter** 进入子菜单。此子菜单显示所有设置和已安装内存时序。您也可以任何时间通过长按 [F5] 来访问此信息

► DIMM1/A2/B1/B2/C1/C2/D1/D2 Memory SPD

按 **Enter** 进入子菜单。子菜单显示已安装内存信息。只读。

► CPU Features

按 **Enter** 进入子菜单。

► Hyper-Threading [Enabled]

这个技术把在处理器内部的多个内核当做两个可以同时执行指令的逻辑处理器。用这种方法，系统性能得到了极大的提高。此项在安装的 CPU 支持该技术时出现。

[Enabled] 开启 Intel Hyper-Threading 技术。

[Disabled] 如果操作系统不支持 HT 功能关闭此项。

► Active Processor Cores Control [All]

允许您选择 CPU 活动核心的数目。

► Limit CPUID Maximum [Disabled]

开启或关闭扩展的 CPUID 值。

[Enabled] 对于一些较旧的不支持扩展 CPUID 值的操作系统，BIOS 限制 CPUID 输入值的最大值，以便解决启动阶段的一些问题。

[Disabled] 使用实际最大的 CPUID 输入值。

► Intel Virtualization Tech [Enabled]

开启或关闭 Intel 虚拟化技术。

[Enabled] 开启 Intel 虚拟化技术，允许在一台电脑上的不同独立分区跑不同的操作系统。系统表现就好像虚拟的多个系统。

[Disabled] 关闭此功能。

► Intel VT-D Tech [Disabled]

开启或关闭 Intel VT-D (Intel Virtualization for Direct I/O) 技术。

► Hardware Prefetcher [Enabled]

开启或关闭硬件预取器 (MLC Streamer prefetcher)。

[Enabled] 允许 CPU 硬件预取器将数据和指令从内存自动预存到 L2 缓存器中。借此减少内存读取时间。

[Disabled] 关闭硬件预存器。

▶ **Adjacent Cache Line Prefetch [Enabled]**

开启或关闭 CPU 的硬件预取器 (MLC Spatial prefetcher)。

[Enabled] 开启相邻高速缓存行预取功能。减少高速缓存延迟,提高特定应用程序性能。

[Disabled] 仅读取请求的高速缓存数据。

▶ **CPU AES Instructions [Enabled]**

开启或关闭 CPU AES (Advanced Encryption Standard-New Instructions) 支持。此项在安装 CPU 支持此功能时出现。

▶ **Intel Adaptive Thermal Monitor [Enabled]**

本项开启或关闭 Intel 适应热度监控功能以避免 CPU 过热。

[Enabled] CPU 过热会调整 CPU 核心频率速度。

[Disabled] 关闭此功能。

▶ **Intel C-State [Auto]**

开启或关闭 Intel C-state。C-state 是一种由 ACPI 定义的处理器电源管理技术。

[Auto] 此设置由 BIOS 自动配置。

[Enabled] 检测系统空闲状态,并有效地减少 CPU 功耗。

[Disabled] 关闭此功能。

▶ **C1E Support [Disabled]**

开启或关闭 C1E 功能为空闲时节省能耗。此项在 **Intel C-State** 选项为开启时出现。

[Enabled] 开启 C1E 功能减少 CPU 频率和电压以便在空闲时节省能耗。

[Disabled] 关闭此功能。

▶ **Package C State limit [Auto]**

此项允许您选择 CPU C-state 级别为系统空闲时节省能耗。C-state 的选项取决于已安装的 CPU。此项在 **Intel C-State** 选项为开启时出现。

▶ **CFG Lock [Enabled]**

CFG 锁位,锁定或打开锁定 MSR 0xE2[15]。

[Enabled] 锁定该CFG锁位。

[Disabled] 打开该CFG锁位。

▶ **Long Duration Power Limit (W) [Auto]**

为 CPU Turbo Boost 模式设置长时间 TDP 功率限制。

▶ **Long Duration Maintained (s) [Auto]**

为 Long duration power Limit(W) 设置长时间 TDP 维持时间。

▶ **Short Duration Power Limit (W) [Auto]**

为 CPU Turbo Boost 模式设置短时间 TDP 功率限制。

▶ **CPU Current Limit (A) [Auto]**

为 CPU Turbo Boost 模式设置最大电流限制。当电流超过设定的最大电流值时,CPU 会自动配置降频以便减少电流。

► Internal VR OVP OCP Protection [Auto]

开启或关闭 CPU 内部 VR (电压校准器) 过电压保护和过电流保护。此项仅在安装的 CPU 支持此功能时出现。

[Auto] 此设置将由 BIOS 自动配置。

[Enabled] 设置 CPU 内部 VR (电压校准器)过电压保护和过电流保护电压限值。

[Disabled] 为超频关闭此功能。

► Internal VR Efficiency Management [Auto]

开启或关闭 CPU 内部供电功耗管理。此项仅在安装的 CPU 支持此功能时出现。

[Auto] 此设置由 BIOS 自动配置。

[Enabled] 开启此项用来节能控制。

[Disabled] 关闭此项。

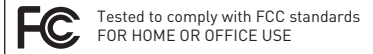
Regulatory Notices

FCC Compliance Statement

Note: This equipment has been tested and found to comply with the limits for a Class B digital device, pursuant to part 15 of the FCC Rules. These limits are designed to provide reasonable protection against harmful interference in a residential installation. This equipment generates, uses and can radiate radio frequency energy and, if not installed and used in accordance with the instructions, may cause harmful interference to radio communications. However, there is no guarantee that interference will not occur in a particular installation. If this equipment does cause harmful interference to radio or television reception, which can be determined by turning the equipment off and on, the user is encouraged to try to correct the interference by one or more of the following measures:

- Reorient or relocate the receiving antenna.
- Increase the separation between the equipment and receiver.
- Connect the equipment into an outlet on a circuit different from that to which the receiver is connected.
- Consult the dealer or an experienced radio/TV technician for help.


Caution: Changes or modifications not expressly approved by the party responsible for compliance could void the user's authority to operate the equipment.



This device complies with part 15 of the FCC Rules. Operation is subject to the following two conditions:

(1) This device may not cause harmful interference, and (2) this device must accept any interference received, including interference that may cause undesired operation.

CE Conformity


 Products bearing the CE marking comply with one or more of the following EU Directives as may be applicable:

RED 2014/53/EU; Low Voltage Directive 2014/35/EU; EMC Directive 2014/30/EU; RoHS Directive 2011/65/EU.


Compliance with these directives is assessed using applicable European Harmonized Standards.

The point of contact for regulatory matters is MSI, MSI-NL Eindhoven 5706 5692 ER Son.

B급 기기 (가정용 방송통신기자재)

 이 기기는 가정용(B급) 전자파적합기기로서 주로 가정에서 사용하는 것을 목적으로 하며, 모든 지역에서 사용할 수 있습니다.

クラスB情報技術装置

 この装置は、クラスB情報技術装置です。この装置は、家庭環境で使用することを目的としていますが、この装置がラジオやテレビジョン受信機に近接して使用されると、受信障害を引き起こすことがあります。取扱説明書に従って

正しい取り扱いをして下さい

VCCI-B

C-Tick Compliance



Battery Information

European Union:



Batteries, battery packs, and accumulators should not be disposed of as unsorted household waste. Please use the public collection system to return, recycle, or treat them in compliance with the local regulations.

Taiwan:



廢電池請回收

For better environmental protection, waste batteries should be collected separately for recycling or special disposal.

California, USA:



The button cell battery may contain perchlorate material and requires special handling when recycled or disposed of in California.

For further information please visit:

<http://www.dtsc.ca.gov/hazardouswaste/perchlorate/>

CAUTION: There is a risk of explosion, if battery is incorrectly replaced.

Replace only with the same or equivalent type recommended by the manufacturer.

Chemical Substances Information

In compliance with chemical substances regulations, such as the EU REACH Regulation (Regulation EC No. 1907/2006 of the European Parliament and the Council), MSI provides the information of chemical substances in products at:

http://www.msi.com/html/popup/csr/evmtprrt_pcm.html

Environmental Policy

• The product has been designed to enable proper reuse of parts and recycling and should not be thrown away at its end of life.



• Users should contact the local authorized point of collection for recycling and disposing of their end-of-life products.

• Visit the MSI website and locate a nearby distributor for further recycling information.

• Users may also reach us at gpcontdev@msi.com for information regarding proper Disposal, Take-back, Recycling, and Disassembly of MSI products.

WEEE (Waste Electrical and Electronic Equipment) Statement

ENGLISH

To protect the global environment and as an environmentalist, MSI must remind you that...



Under the European Union ("EU") Directive on Waste Electrical and Electronic Equipment, Directive 2002/96/EC, which takes effect on August 13, 2005, products of "electrical

and electronic equipment” cannot be discarded as municipal wastes anymore, and manufacturers of covered electronic equipment will be obligated to take back such products at the end of their useful life. MSI will comply with the product take back requirements at the end of life of MSI-branded products that are sold into the EU. You can return these products to local collection points.

DEUTSCH

Hinweis von MSI zur Erhaltung und Schutz unserer Umwelt

Gemäß der Richtlinie 2002/96/EG über Elektro- und Elektronik-Altgeräte dürfen Elektro- und Elektronik-Altgeräte nicht mehr als kommunale Abfälle entsorgt werden. MSI hat europaweit verschiedene Sammel- und Recyclingunternehmen beauftragt, die in die Europäische Union in Verkehr gebrachten Produkte, am Ende seines Lebenszyklus zurückzunehmen. Bitte sorgen Sie dieses Produkt zum gegebenen Zeitpunkt ausschließlich an einer lokalen Altgerätesammelstelle in Ihrer Nähe.

FRANÇAIS

En tant qu'écologiste et afin de protéger l'environnement, MSI tient à rappeler ceci...

Au sujet de la directive européenne (EU) relative aux déchets des équipements électriques et électroniques, directive 2002/96/EC, prenant effet le 13 août 2005, que les produits électriques et électroniques ne peuvent être déposés dans les décharges ou tout simplement mis à la poubelle. Les fabricants de ces équipements seront obligés de récupérer certains produits en fin de vie. MSI prendra en compte cette exigence relative au retour des produits en fin de vie au sein de la communauté européenne. Par conséquent vous pouvez retourner localement ces matériels dans les points de collecte.

РУССКИЙ

Компания MSI предпринимает активные действия по защите окружающей среды, поэтому напоминаем вам, что....

В соответствии с директивой Европейского Союза (ЕС) по предотвращению загрязнения окружающей среды использованным электрическим и электронным оборудованием (директива WEEE 2002/96/EC), вступающей в силу 13 августа 2005 года, изделия, относящиеся к электрическому и электронному оборудованию, не могут рассматриваться как бытовой мусор, поэтому производители вышеперечисленного электронного оборудования обязаны принимать его для переработки по окончании срока службы. MSI обязуется соблюдать требования по приему продукции, проданной под маркой MSI на территории ЕС, в переработку по окончании срока службы. Вы можете вернуть эти изделия в специализированные пункты приема.

ESPAÑOL

MSI como empresa comprometida con la protección del medio ambiente, recomienda:

Bajo la directiva 2002/96/EC de la Unión Europea en materia de desechos y/o equipos electrónicos, con fecha de rigor desde el 13 de agosto de 2005, los productos clasificados como "eléctricos y equipos electrónicos" no pueden ser depositados en los contenedores habituales de su municipio, los fabricantes de equipos electrónicos, están obligados

a hacerse cargo de dichos productos al término de su período de vida. MSI estará comprometido con los términos de recogida de sus productos vendidos en la Unión Europea al final de su período de vida. Usted debe depositar estos productos en el punto limpio establecido por el ayuntamiento de su localidad o entregar a una empresa autorizada para la recogida de estos residuos.

NEDERLANDS

Om het milieu te beschermen, wil MSI u eraan herinneren dat....

De richtlijn van de Europese Unie (EU) met betrekking tot Vervuling van Elektrische en Electronische producten (2002/96/EC), die op 13 Augustus 2005 in zal gaan kunnen niet meer beschouwd worden als vervuiling. Fabrikanten van dit soort producten worden verplicht om producten retour te nemen aan het eind van hun levenscyclus. MSI zal overeenkomstig de richtlijn handelen voor de producten die de merknaam MSI dragen en verkocht zijn in de EU. Deze goederen kunnen geretourneerd worden op lokale inzamelingspunten.

SRPSKI

Da bi zaštitili prirodnu sredinu, i kao proizvođače koje vodi računa o okolini i prirodnoj sredini, MSI mora da vas podesti da...

Po Direktivi Evropske unije ("EU") o odbačenju elektonskoj i električnoj opremi, Direktiva 2002/96/EC, koja stupa na snagu od 13. Avgusta 2005, proizvodi koji spadaju pod "elektricku i električnu opremu" ne mogu više biti odbačeni kao običan otpad i proizvođači ove opreme biće prinuđeni da uzmu natrag ove proizvode na kraju njihovog uobičajenog veka trajanja. MSI će poštovati zahtev o preuzimanju ovakvih proizvoda kojima je istekao vek trajanja, koji imaju MSI oznaku i koji su prodati u EU. Ove proizvode možete vratiti na lokalnim mestima za prikupljanje.

POLSKI

Aby chronić nasze środowisko naturalne oraz jako firma dbająca o ekologię, MSI przypomina, że...

Zgodnie z Dyrektywą Unii Europejskiej ("UE") dotyczącą odpadów produktów elektrycznych i elektronicznych (Dyrektywa 2002/96/EC), która wchodzi w życie 13 sierpnia 2005, tzw. "produkty oraz wyposażenie elektryczne i elektroniczne" nie mogą być traktowane jako śmieci komunalne, tak więc producenci tych produktów będą zobowiązani do odbierania ich w momencie gdy produkt jest wycofywany z użycia. MSI wypetni wymagania UE, przyjmując produkty (sprzedawane na terenie Unii Europejskiej) wycofywane z użycia. Produkty MSI będzie można zwracać w wyznaczonych punktach zbiorczych.

TÜRKÇE

Çevreci özelliğiyle bilinen MSI dünyada çevreyi korumak için hatırlatır:

Avrupa Birliği (AB) Kararnamesi Elektrik ve Elektronik Malzeme Atığı, 2002/96/EC Kararnamesi altında 13 Ağustos 2005 tarihinden itibaren geçerli olmak üzere, elektrikli ve elektronik malzemeler diğer atıklar gibi çöpe atılmayacak ve bu elektronik cihazların üreticileri, cihazların kullanım süreleri bittikten sonra ürünleri geri toplamakla yükümlü olacaktır. Avrupa Birliği'ne satılan MSI markalı ürünlerin kullanım süreleri bittiğinde MSI ürünlerin geri alınması isteği ile işbirliği içerisinde olacaktır. Ürünlerinizi yerel toplama noktalarına bırakabilirsiniz.

ČESKY

Záleží nám na ochraně životního prostředí - společnost MSI upozorňuje...

Podle směrnice Evropské unie ("EU") o likvidaci elektrických a elektronických výrobků 2002/96/EC platné od 13. srpna 2005 je zakázáno likvidovat "elektrické a elektronické výrobky" v běžném komunálním odpadu a výrobci elektrických výrobků, na které se tato směrnice vztahuje, budou povinni odebírat takové výrobky zpět po skončení jejich životnosti. Společnost MSI splní požadavky na odebrání výrobků značky MSI, prodávaných v zemích EU, po skončení jejich životnosti. Tyto výrobky můžete odevzdat v místních sběrnách.

MAGYAR

Annak érdekében, hogy környezetiünket megvédjük, illetve környezetvédként fellépve az MSI emlékezteti Önt, hogy ...

Az Európai Unió („EU”) 2005. augusztus 13-án hatályba lépett, az elektromos és elektronikus berendezések hulladékairól szóló 2002/96/EK irányelve szerint az elektromos és elektronikus berendezések többé nem kezelhetők lakossági hulladékként, és az ilyen elektronikus berendezések gyártói kötelessé válnak az ilyen termékek visszavételére azok hasznos élettartama végén. Az MSI betartja a termékvisszavételrel kapcsolatos követelményeket az MSI márkánév alatt az EU-n belül értékesített termékek esetében, azok élettartamának végén. Az ilyen termékeket a legközelebbi gyűjtőhelyre viheti.

ITALIANO

Per proteggere l'ambiente, MSI, da sempre amica della natura, ti ricorda che....

In base alla Direttiva dell'Unione Europea (EU) sullo Smaltimento dei Materiali Elettrici ed Elettronici, Direttiva 2002/96/EC in vigore dal 13 Agosto 2005, prodotti appartenenti alla categoria dei Materiali Elettrici ed Elettronici non possono più essere eliminati come rifiuti municipali: i produttori di detti materiali saranno obbligati a ritirare ogni prodotto alla fine del suo ciclo di vita. MSI si addegerà a tale Direttiva ritirando tutti i prodotti marchiati MSI che sono stati venduti all'interno dell'Unione Europea alla fine del loro ciclo di vita. È possibile portare i prodotti nel più vicino punto di raccolta

日本JIS C 0950材質宣言

日本工業規格JIS C 0950により、2006年7月1日以降に販売される特定分野の電気および電子機器について、製造者による含有物質の表示が義務付けられます。

http://www.msi.com/html/popup/csr/cemm_jp.html

http://tw.msi.com/html/popup/csr_tw/cemm_jp.html

India RoHS

This product complies with the "India E-waste (Management and Handling) Rule 2011" and prohibits use of lead, mercury, hexavalent chromium, polybrominated biphenyls or polybrominated diphenyl ethers in concentrations exceeding 0.1 weight % and 0.01 weight % for cadmium, except for the exemptions set in Schedule 2 of the Rule.

Türkiye EEE yönetmeliği

Türkiye Cumhuriyeti: EEE Yönetmeliğine Uygundur

Україна обмеження на наявність небезпечних речовин

Обладнання відповідає вимогам Технічного регламенту щодо обмеження використання деяких небезпечних речовин в електричному та електронному обладнанні, затвердженого постановою Кабінету Міністрів України від 3 грудня 2008 № 1057.

Việt Nam RoHS

Kể từ ngày 01/12/2012, tất cả các sản phẩm do công ty MSI sản xuất tuân thủ Thông tư số 30/2011/TT-BCT quy định hạn thời về giới hạn hàm lượng cho phép của một số hóa chất độc hại có trong các sản phẩm điện, điện tử

Wireless Radio Use

This device is restricted to indoor use when operating in the 2.4GHz, 5GHz frequency band.

Cet appareil doit être utilisé à l'intérieur.

당해 무선설비는 운용중 전파혼신 가능성이 있음.

この製品は、周波数帯域 2.4GHz, 5GHz で動作しているときは、屋内においてのみ使用可能です。

NCC無線設備警告聲明

工作頻率2.4GHz, 5GHz該頻段限於室內使用。

經型式認證合格之低功率射頻電機，非經許可，公司、商號或使用者均不得擅自變更頻率、加大功率或變更原設計之特性及功能。

低功率射頻電機之使用不得影響飛航安全及干擾合法通信；經發現有干擾現象時，應立即停用，並改善至無干擾時方得繼續使用。前項合法通信，指依電信法規定作業之無線電通信。低功率射頻電機須忍受合法通信或工業、科學及醫療用電波輻射性電機設備之干擾。

Products with radio functionality (EMF)

This product incorporates a radio transmitting and receiving device. For computers in normal use, a separation distance of 20 cm ensures that radio frequency exposure levels comply with EU requirements. Products designed to be operated at closer proximities, such as tablet computers, comply with applicable EU requirements in typical operating positions. Products can be operated without maintaining a separation distance unless otherwise indicated in instructions specific to the product.

Restrictions for products with radio functionality




CAUTION: IEEE 802.11x wireless LAN with 5.15–5.35 GHz frequency band is restricted for indoor use only in all European Union member states, EFTA (Iceland, Norway, Liechtenstein), and most other European countries (e.g., Switzerland, Turkey, Republic of Serbia). Using this WLAN application outdoors might lead to interference issues with existing radio services.

Radio frequency bands and maximum power levels

Features	:802.11 a/b/g/n/ac, BT
Frequency Range	:2.4GHz, 5GHz
Modulation	:FHSS, DSSS, OFDM
Power Output	:10, 20, 23
Channel Band Width	:1, 5, 20, 40, 80MHz

MS-7B94主板产品中有害物质的名称及含量

部件名称	有害物质					
	铅 [Pb]	汞 [Hg]	镉 [Cd]	六价铬 [Cr(VI)]	多溴联苯 [PBB]	多溴二苯醚 [PBDE]
印刷电路板组件*	×	○	○	○	○	○
电池** 	×	○	○	○	○	○
外部信号连接头	×	○	○	○	○	○
线材	×	○	○	○	○	○

本表格依据 SJ/T 11364 的规定编制。

○：表示该有害物质在该部件所有均质材料中的含量均在 GB/T 26572 规定的限量要求以下。

×：表示该有害物质至少在该部件的某一均质材料中的含量超出 GB/T 26572 规定的限量要求，但所有部件都符合欧盟RoHS要求。

* 印刷电路板组件：包括印刷电路板及其构成的零部件。

** 电池本体上如有环保使用期限标识，以本体标识为主。

■ 上述有毒有害物质或元素清单会依型号之部件差异而有所增减。

■ 产品部件本体上如有环保使用期限标识，以本体标识为主。

限用物質含有情況標示聲明書

設備名稱：電腦主機板		型號(型式)：MS-7B94				
單元	限用物質及其化學符號					
	鉛 [Pb]	汞 [Hg]	鎘 [Cd]	六價鉻 [Cr ^{VI}]	多溴聯苯 [PBB]	多溴二苯醚 [PBDE]
電路板	○	○	○	○	○	○
電子元件	—	○	○	○	○	○
金屬機構件	—	○	○	○	○	○
塑膠機構件	○	○	○	○	○	○

備考1. “超出0.1 wt %”及“超出0.01 wt %”係指限用物質之百分比含量超出百分比含量基準值。

備考2. “○”係指該項限用物質之百分比含量未超出百分比含量基準值。

備考3. “—”係指該項限用物質為排除項目。

Copyright

msi Micro-Star Int'l Co., Ltd.

Copyright © 2019 All rights reserved.

The MSI logo used is a registered trademark of Micro-Star Int'l Co., Ltd. All other marks and names mentioned may be trademarks of their respective owners. No warranty as to accuracy or completeness is expressed or implied. MSI reserves the right to make changes to this document without prior notice.

Revision History

Version 1.0, 2019/09, First release

Technical Support

If a problem arises with your system and no solution can be obtained from the user guide, please contact your place of purchase or local distributor. Alternatively, please try the following help resources for further guidance.

- Visit the MSI website for technical guide, BIOS updates, driver updates, and other information: <http://www.msi.com>
- Register your product at: <http://register.msi.com>

